



MOD : E65/CP4T-N

Production code : F65/40CPE/1V20/T

Jet engine compressor drawings

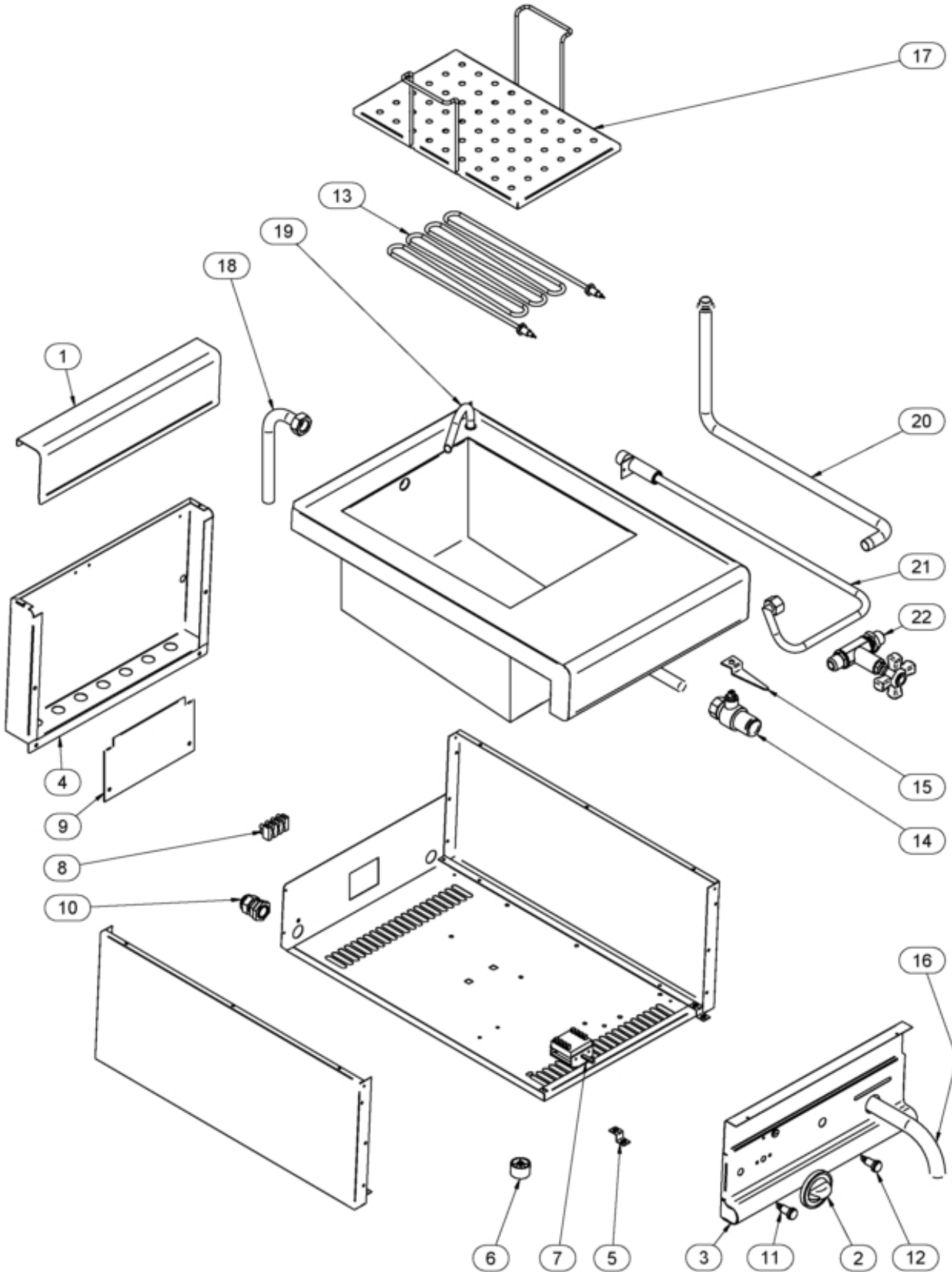
Creative
MARKET

03/2024

Modello/Type: 65/40 CPE

cod./num. 2531468.00

data/date: 05/07/2013



Pos.	Réf.	Description	De	À
0001	611.005.00	SPLASH-BACK 40		
0002	612.086.00	ASS.KNOB D62 EL. 4 POSIT.GREY		
0003	256.117.00	KIT CRUSCOTTO 65/40 CPE + INDICI		
0004	621.027.00	REAR PANEL 40		
0005	256.002.00	KIT STAFFA FISS.CRUSCOTTO + VITI		
0006	651.001.13	FOOT DIAM.30 X 20H NEW	01/01/1999	31/05/2013
0006	651.001.13	FOOT DIAM.30 X 20H NEW	01/06/2013	
0007	661.037.00	CHANGE-OVER SWITCH 4 POS.EGO		
0008	663.018.00	4-POLE TERMINAL BOARD PA 44 A		
0009	623.006.00	COVER FOR TERMINAL BOARD		
0010	256.114.00	KIT PRESSACAVO PG16 + GHIERA		
0011	663.043.00	GREEN PILOT LIGHT		
0012	663.044.00	ORANGE PILOT LIGHT		
0013	665.032.00	HEATING ELEMENT CPE		
0014	256.047.00	KIT RUB. SCAR. 3/4" C/BLOCCO+DADO		
0015	623.024.00	RIGHT HAND VALVE LEVER		
0016	631.000.00	TUBE DECHARGE D.22		
0017	611.472.00	ASS.FALSOFONDO SUPP.CEST. 65/40 CPE		
0018	256.050.00	KIT COLL. SCAR.-LIV.+ATTACCO+GUARN.		
0019	631.030.13	ENTRATA ACQUA CP		
0020	611.470.00	ASS.TUBO ALIM. ACQUA 65/40-70 CPE		
0021	611.469.00	ASS.TUBO RACC.RUBINETTO 65/70 CPE		
0022	678.010.14	STOPPING TAP M-M 1/2		