



MOD : E65/CP4T-N

Production code : F65/40CPE/1V20/T

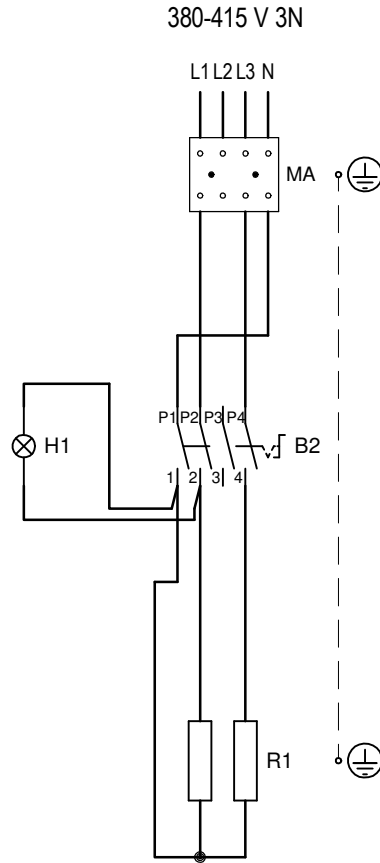
03/2024

CUOCIPASTA ELETTRICO
ELECTRIC PASTA COOKER
CUISEUR A PATES ELECTRIQUE
NUNDELNKOCHER ELEKTRO

MOD.
_65/40 CPE

CODICE
251.365.00

DATA 03-01-2000



- MA -MORSETTIERA ARRIVO LINEA _ JUNCTION BOX POWER INLET _____
BORNES ARRIVEE LIGNE _ANSCHLUSSBRETT
- B1 -COMMUTATORE _ CHANGE OVER SWITCH _____
COMMUTATEUR _ UMSCHALTER
- H1 -LAMPADA SPIA VERDE _ GREEN PILOT LIGHT _____
LAMPE TEMOIN VERT _ GRUNE KONTROLLAMPE
- R1 -RESISTENZA _ HEATING ELEMENT _____
RESISTANCE _ HEIZKORPER

SOSTITUISCE PARI NUMERO DEL 02-04-98

POTENZA TOTALE - TOTAL POWER
PUISSANCE TOTAL - ANSCHLUSSWERT 6 kW 380-415 V 3N 14 A 50-60 Hz