



# **MOD : E65/BM7T-N**

**Production code : F65/70BME/T**

Jet engine compressor drawings

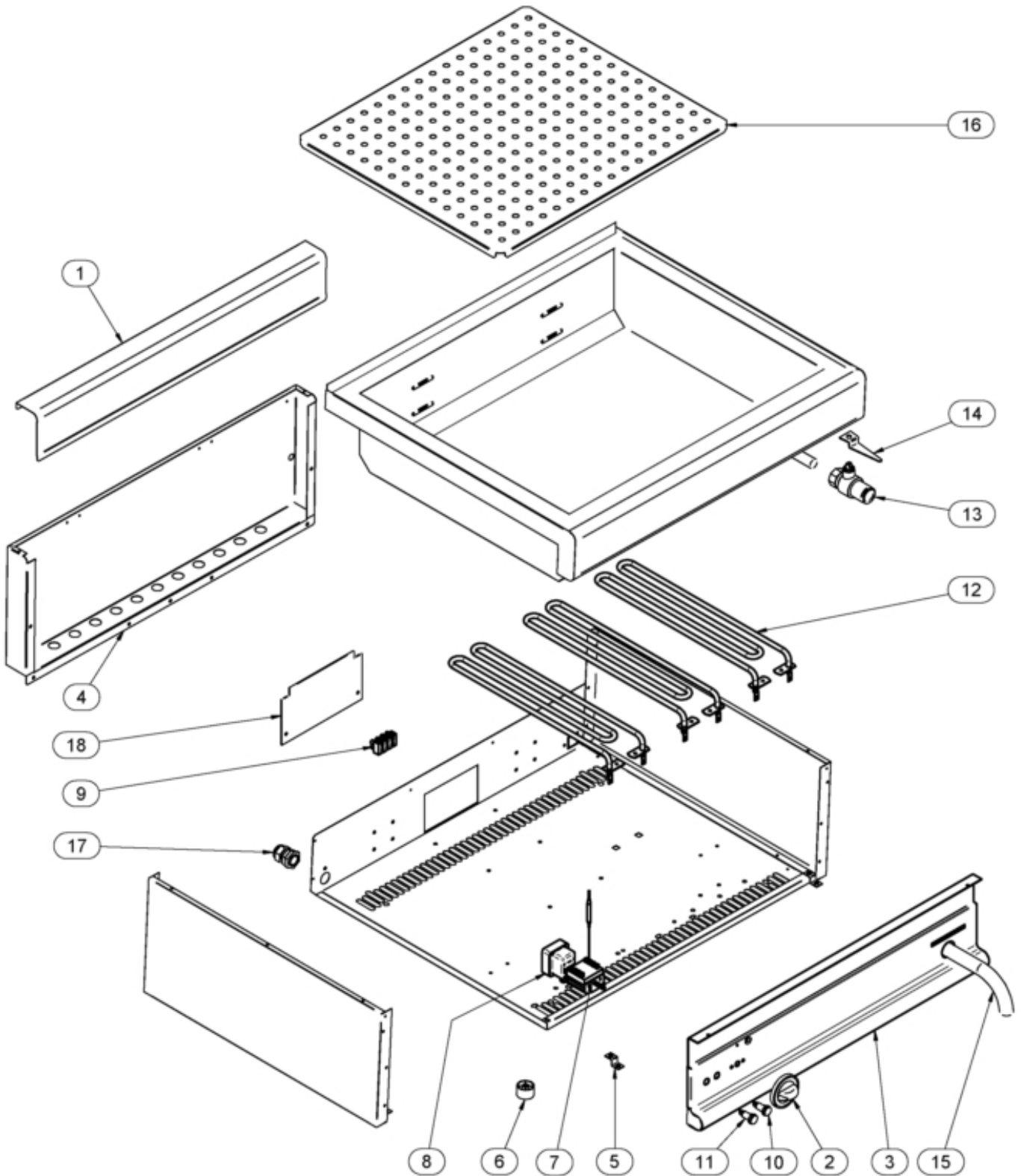
Creative  
MARKET

**03/2024**

Modello/Type: **65/70 BME**

cod./num. 2531521.00

data/date: 31/07/2013



Pos.	Réf.	Description	De	À
0001	611.006.00	SPLASH-BACK 70		
0002	612.083.00	ASS.MANOPOLA D62 EL. 30-90 GRIGIA		
0003	256.170.00	KIT CRUSCOTTO 65/70 BME + INDICI		
0004	621.028.00	REAR PANEL 70		
0005	256.002.00	KIT STAFFA FISS.CRUSCOTTO + VITI		
0006	651.001.13	FOOT DIAM.30 X 20H NEW		
0007	661.000.00	COMMUTATEUR 15 A 49.41015.300		
0008	661.005.00	THERM. 30-110 EGO 55.34022.807		
0009	663.018.00	4-POLE TERMINAL BOARD PA 44 A		
0010	663.043.00	GREEN PILOT LIGHT		
0011	663.044.00	ORANGE PILOT LIGHT		
0012	665.004.00	HEAT.ELEM.BM 1200W-240V		
0013	256.047.00	KIT RUB. SCAR. 3/4" C/BLOCCO+DADO		
0014	623.027.00	LEFT HAND VALVE LEVER		
0015	631.000.00	TUBE DECHARGE D.22		
0016	621.036.00	PERFORATED BASE COVER 70 BME		
0017	256.114.00	KIT PRESSACAVO PG16 + GHIERA		
0018	623.006.00	COVER FOR TERMINAL BOARD		