



MOD : E65/BM4T-N

Production code : F65/40BME/T

Jet engine compressor drawings

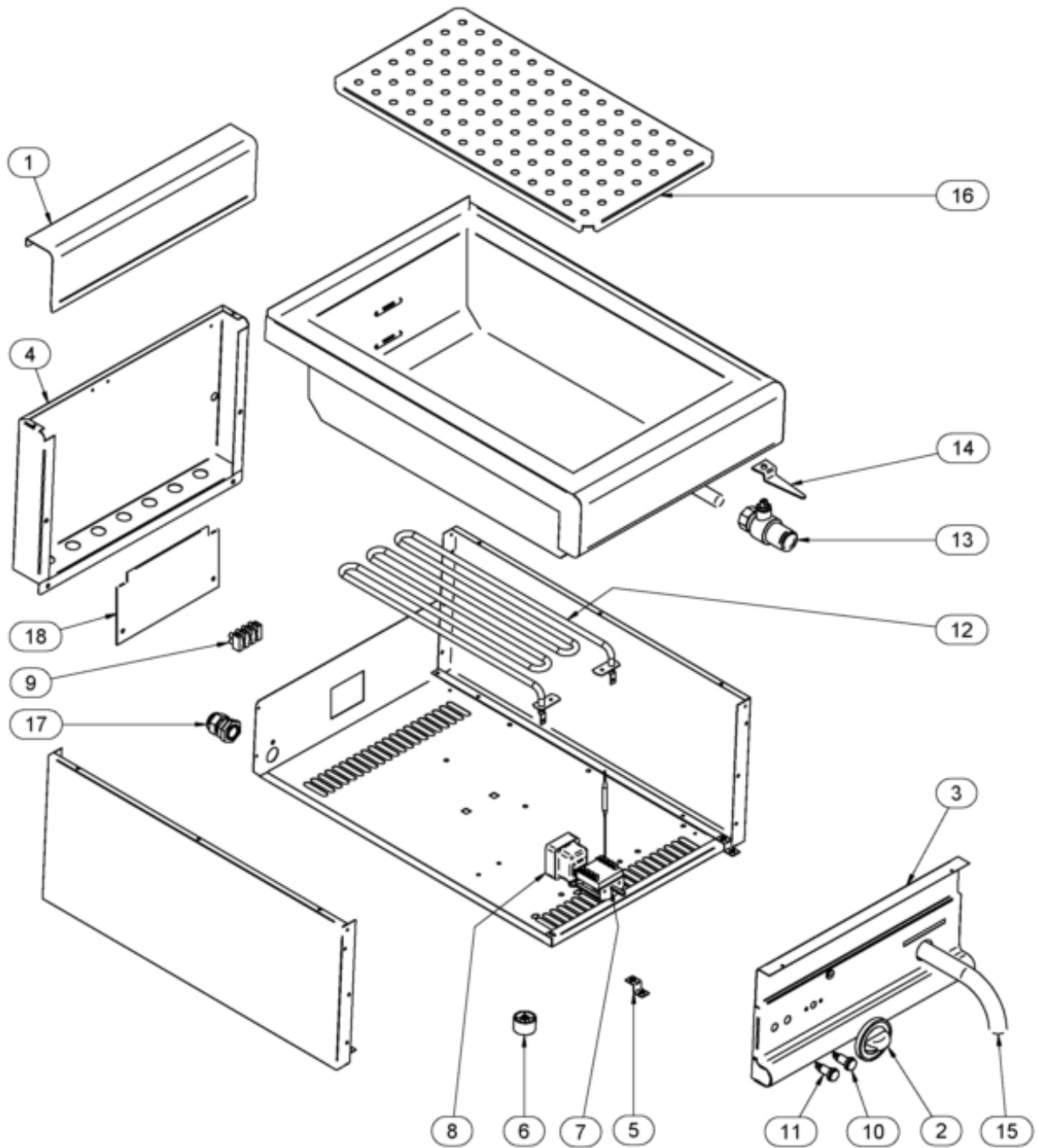
Creative
MARKET

03/2024

Modello/Type: **65/40 BME**

cod./num. 2531465.00

data/date: 01/07/2013



Pos.	Réf.	Description	De	À
0001	611.005.00	SPLASH-BACK 40		
0002	612.083.00	ASS.MANOPOLA D62 EL. 30-90 GRIGIA		
0003	256.115.00	KIT CRUSCOTTO 65/40 BME + INDICI		
0004	621.027.00	REAR PANEL 40		
0005	256.002.00	KIT STAFFA FISS.CRUSCOTTO + VITI		
0006	651.001.13	FOOT DIAM.30 X 20H NEW		
0007	661.000.00	COMMUTATEUR 15 A 49.41015.300		
0008	661.004.00	THER.UNIPOL.30-110 EGO 55.10022.800		
0009	663.018.00	4-POLE TERMINAL BOARD PA 44 A		
0010	663.043.00	GREEN PILOT LIGHT		
0011	663.044.00	ORANGE PILOT LIGHT		
0012	665.003.00	HEAT.ELEM.BM 1800W-240V		
0013	256.047.00	KIT RUB. SCAR. 3/4" C/BLOCCO+DADO		
0014	623.027.00	LEFT HAND VALVE LEVER		
0015	631.000.00	TUBE DECHARGE D.22		
0016	621.035.00	PERFORATED BASE COVER 40 BME		
0017	256.114.00	KIT PRESSACAVO PG16 + GHIERA		
0018	623.006.00	COVER FOR TERMINAL BOARD		