



**MOD : E65/2P4T-N**

**Production code : F65/40PCE/T**

Jet engine compressor drawings

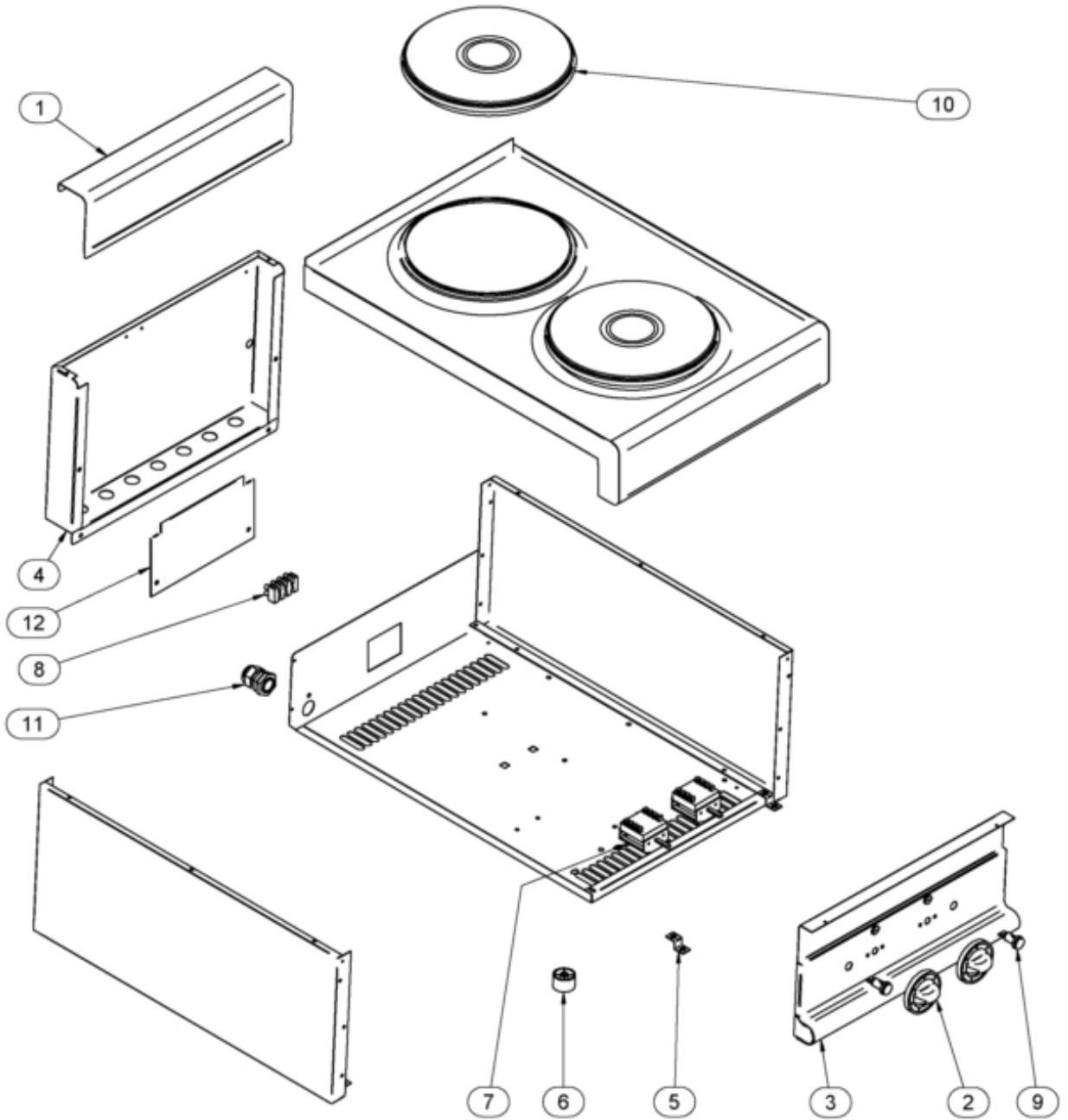
Creative  
MARKET

04/2024

Modello/Type: 65/40 PCE

cod./num. 2531462.00

data/date: 01/07/2013



Pos.	Réf.	Description	De	À
0001	611.005.00	SPLASH-BACK 40		
0002	612.080.00	CONTROL KNOB D.62 EL. 7 POSIT. GREY		
0003	256.112.00	KIT CRUSCOTTO 65/40 PCE + INDICI		
0004	621.027.00	REAR PANEL 40		
0005	256.002.00	KIT STAFFA FISS.CRUSCOTTO + VITI		
0006	651.001.13	FOOT DIAM.30 X 20H NEW		
0007	661.002.00	COMMUTATEUR 7 POSITIONS		
0008	663.018.00	4-POLE TERMINAL BOARD PA 44 A		
0009	663.043.00	GREEN PILOT LIGHT		
0010	665.006.00	PLAQUE EL.D.220		
0011	256.114.00	KIT PRESSACAVO PG16 + GHIERA		
0012	623.006.00	COVER FOR TERMINAL BOARD		