

Drawing



Tools for Chefs

Hendi B.V.

Innovatielaan 6  
6745 XW De Klomp  
The Netherlands

Batch #

HK116523 and  
up

Appliance part#

154953

Description

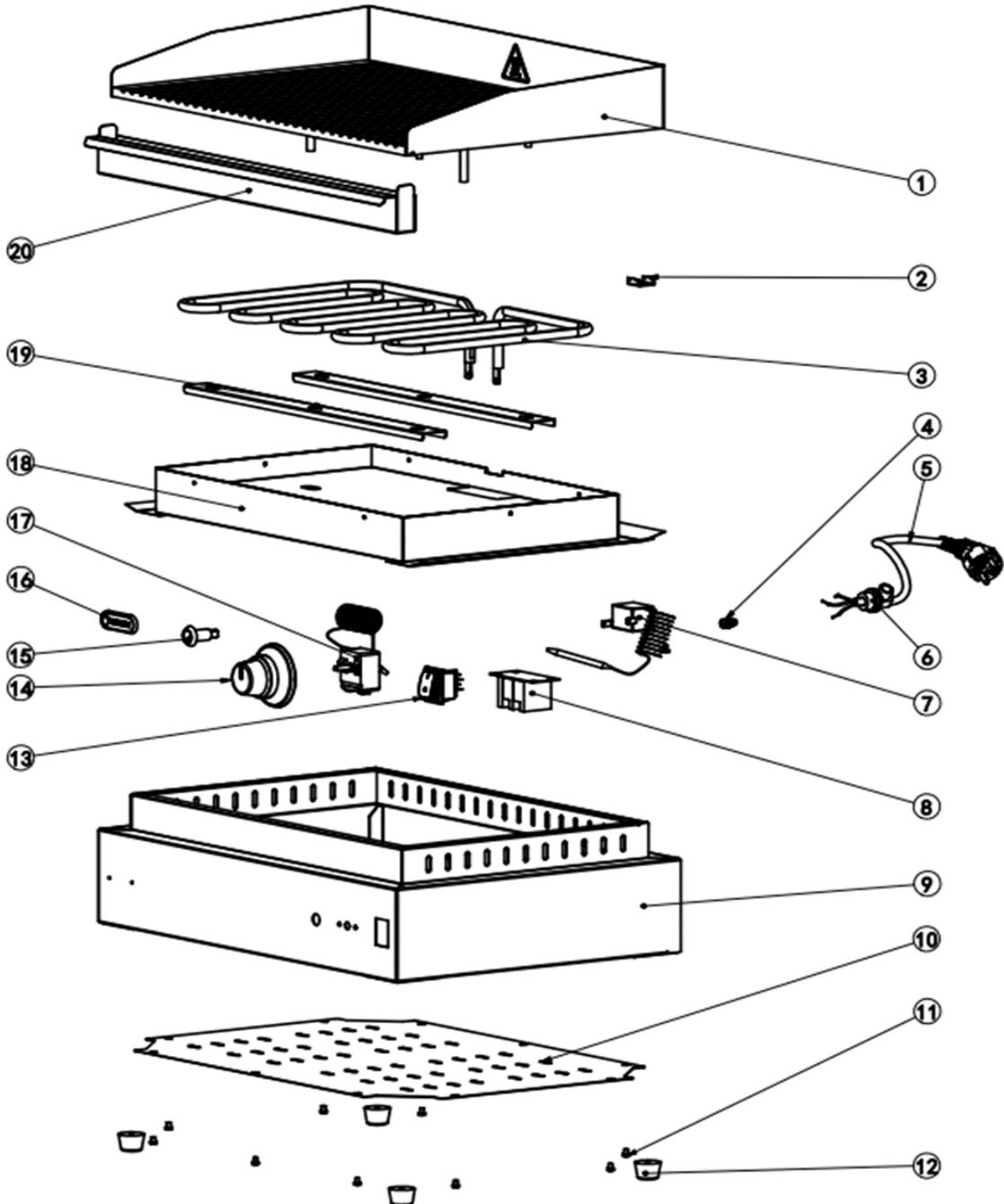
Griddle ribbed  
Kitchen Line 550mm

Date 29-11-2023

Revision #

V.01

Revision First Bill of Materials (BOM)



### Bill of materials (BOM)

 <b style="font-size: 24px; margin-left: 10px;">HENDI</b> <small style="color: green; margin-left: 10px;">Tools for Chefs</small> <b>Hendi B.V.</b> Innovatielaan 6 6745 XW De Klomp The Netherlands	<b>Batch #</b>	<b>Appliance part#</b>
	HK116523 and up	<b>154953</b>
	<b>Description</b>	
Griddle ribbed Kitchen Line 550mm		

<b>Date</b>	29-11-2023	<b>Revision #</b>	V.01
<b>Revision</b>	First Bill of Materials (BOM)		

Item	Description	Part#	Quantity	Remark	Picture
1	Griddle plate with backsplash	n/a	1		
2	Probe bracket	n/a	1		
3	Heating element 2400W	964323	1		
4	Protected Earth connector	n/a	1		
5	Power cord	912027	1		
6	Pull relief	912201	1		
7	Hi-limiter	964279	1		
8	Terminal	912041	1		
9	Housing frame	n/a	1		
10	Housing panel (bottom)	n/a	1		
11	Screw	n/a	10		
12	Feet	964286	4	Set of 4pcs	
13	Switch	205426	1		
14	Thermostat knob	929865	1		
15	Indocator light (orange)	912003	1		
16	Logo badge "Hendi"	955963	1		
17	Thermostat (300°C)	964293	1		
18	Heating element cover	n/a	1		
19	Heating element bracket	n/a	2		
20	Drip tray	964330	1		

n/a -> not available

nss -> not sold separately

### Circuit diagram

 <b>HENDI</b> Tools for Chefs Hendi B.V. Innovatielaan 6 6745 XW De Klomp The Netherlands	<b>Batch #</b>	<b>Appliance part#</b>
	HK116523 and up	<b>154953</b>
	<b>Description</b> Griddle ribbed Kitchen Line 550mm	

<b>Date</b>	29-11-2023	<b>Revision #</b>	V.01
<b>Revision</b>	First Bill of Materials (BOM)		

