

11/2018

# Mod: TAVX/2-R2

Production code: FGB 251/145 APO



**Diamond**  
catering equipment

## List Spare Parts | TAVT-TAVX/2.3.4-R2

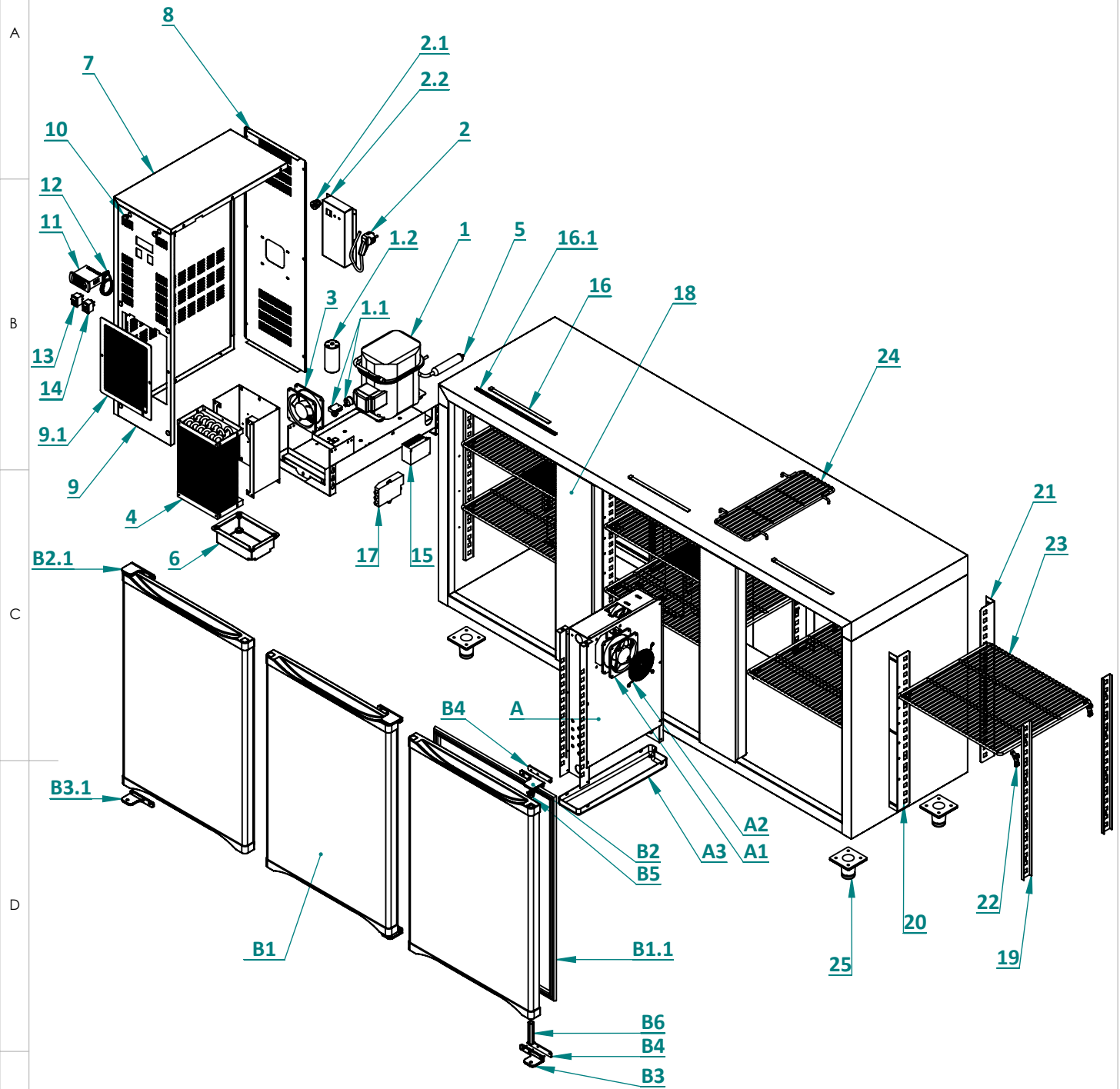
| N.º  | Unit Designation          | Units per Model |            |            |            |            |            | Code        |            |            |             |            |            |
|------|---------------------------|-----------------|------------|------------|------------|------------|------------|-------------|------------|------------|-------------|------------|------------|
|      |                           | TAVT/2-R2       | TAVT/3-R2  | TAVT/4-R2  | TAVX/2-R2  | TAVX/3-R2  | TAVX/4-R2  | TAVT/2-R2   | TAVT/3-R2  | TAVT/4-R2  | TAVX/2-R2   | TAVX/3-R2  | TAVX/4-R2  |
|      |                           | 800991_100      | 800999_100 | 801007_100 | 800993_100 | 801001_100 | 801009_100 | 800991_100  | 800999_100 | 801007_100 | 800993_100  | 801001_100 | 801009_100 |
| 1    | Compressor                | 1               |            |            |            |            |            | 003450      | 003446     | 003450     |             | 003446     |            |
| 1.1  | Compressor protector      | 1               |            |            |            |            |            | 003450_001  | 003446_001 | 003450_001 |             | 003446_001 |            |
| 1.2  | Compressor condenser      | 1               |            |            |            |            |            | 003429_002  |            |            |             |            |            |
| 2    | European plug             | 1               |            |            |            |            |            | 012003      |            |            |             |            |            |
| 2.1  | Bushing                   | 1               |            |            |            |            |            | 018001      |            |            |             |            |            |
| 2.2  | Power Plug box            | 1               |            |            |            |            |            | 109990_006  |            |            |             |            |            |
| 3    | Fan                       | 1               |            |            |            |            |            | 001102_005  |            |            |             |            |            |
| 4    | Condenser                 | 1               |            |            |            |            |            | 003451      |            |            |             |            |            |
| 5    | Universal filter 30 g     | 1               |            |            |            |            |            | 006022      |            |            |             |            |            |
| 6    | Water tray                | 1               |            |            |            |            |            | 029000_101  |            |            |             |            |            |
| 7    | Motor zone protection     | 1               |            |            |            |            |            | 116025_200  |            |            | 116045_200  |            |            |
| 8    | Back Grill (Galvanized)   | 1               |            |            |            |            |            | 107004_200  |            |            |             |            |            |
| 9    | Front Grid                | 1               |            |            |            |            |            | 108346_800  |            |            | 108346_1000 |            |            |
| 9.1  | Front Grid HC700          | 1               |            |            |            |            |            | 007038      |            |            | 007038_008  |            |            |
| 10   | Black round cover 16mm    | 6               |            |            |            |            |            | 020173      |            |            |             |            |            |
| 11   | Digital thermostat        | 1               |            |            |            |            |            | 020260      |            |            |             |            |            |
| 12   | Digital thermostat probe  | 2               |            |            |            |            |            | 018058      |            |            |             |            |            |
| 13   | White switch              | 1               |            |            |            |            |            | 009024      |            |            |             |            |            |
| 14   | Light white switch        | 1               |            |            |            |            |            | 009019      |            |            |             |            |            |
| 15   | LEDS transformer          | 1               |            |            |            |            |            | 006095_1200 |            |            |             |            |            |
| 16   | Led Stripe                | 1               |            |            |            |            |            | 006095_012  |            |            |             |            |            |
| 16.1 | Cover Led difusor profile | 1               |            |            |            |            |            | 016212_002  |            |            |             |            |            |
| 17   | Connection box            | 1               |            |            |            |            |            | 003093      |            |            |             |            |            |
| 18   | Separator 160 (doors)     | 1               | 2          | 3          | 1          | 2          | 3          | 123128_100  |            |            | 123123_100  |            |            |
| 19   | Side shelf support        | 4               |            |            |            |            |            | 103034_100  |            |            |             |            |            |
| 20   | Front shelf support       | 2               | 4          | 6          | 2          | 4          | 6          | 103034_200  |            |            |             |            |            |
| 21   | Back shelf support        | 2               | 4          | 6          | 2          | 4          | 6          | 103034_300  |            |            |             |            |            |
| 22   | Shelf holder              | 16              | 24         | 32         | 16         | 24         | 32         | 004042_001  |            |            |             |            |            |
| 23   | Shelf 455 x 405mm         | 4               | 6          | 8          | 4          | 6          | 8          | 007065_008  |            |            |             |            |            |
| 24   | Shelf separator FGB       | ---             | 2          | 4          | ---        | 2          | 4          | 018008      |            |            |             |            |            |
| 25   | Ajustable feet 75 mm      | 4               |            |            |            |            |            | 016237      |            |            |             |            |            |

## List Spare Parts | TAVT-TAVX/2.3.4-R2

| N.º  | Unit Designation                      | Units per Model |            |            |            |            |            | Code       |            |            |            |            |            |
|------|---------------------------------------|-----------------|------------|------------|------------|------------|------------|------------|------------|------------|------------|------------|------------|
|      |                                       | TAVT/2-R2       | TAVT/3-R2  | TAVT/4-R2  | TAVX/2-R2  | TAVX/3-R2  | TAVX/4-R2  | TAVT/2-R2  | TAVT/3-R2  | TAVT/4-R2  | TAVX/2-R2  | TAVX/3-R2  | TAVX/4-R2  |
|      |                                       | 800991_100      | 800999_100 | 801007_100 | 800993_100 | 801001_100 | 801009_100 | 800991_100 | 800999_100 | 801007_100 | 800993_100 | 801001_100 | 801009_100 |
| A    | Evaporator                            | 1               |            |            |            |            |            | 005046_001 | 005047_001 | 005059_001 | 005046_001 | 005047_001 | 005059_001 |
| A1   | Evaporator Fan                        | 2               |            |            |            |            |            | 001102_004 |            |            |            |            |            |
| A2   | Protection fan grid                   | 2               |            |            |            |            |            | 001127_100 |            |            |            |            |            |
| A3   | Evaporator tray                       | 1               |            |            |            |            |            | 001126_100 |            |            |            |            |            |
| B1   | Solid door/FGB 540                    | 2               | 3          | 4          | 2          | 3          | 4          | 123126_100 |            |            | 123127_100 |            |            |
| B1.1 | Door gasket FGB 540                   | 2               | 3          | 4          | 2          | 3          | 4          | 002092_100 |            |            |            |            |            |
| B2   | Top support right door DB515P         | 1               | 1          | 2          | 1          | 1          | 2          | 018097     |            |            | 018097_008 |            |            |
| B2.1 | Top support left door DB513P          | 1               | 1          | 2          | 1          | 1          | 2          | 018096     |            |            | 018096_008 |            |            |
| B3   | Bottom support right for Pivot DB810P | 1               | 1          | 2          | 1          | 1          | 2          | 018094     |            |            | 018094_008 |            |            |
| B3.1 | Bottom support for Pivot DB811P       | 1               | 1          | 2          | 1          | 1          | 2          | 018095     |            |            | 018095_008 |            |            |
| B4   | Support suplement AC1143              | 4               | 6          | 8          | 4          | 6          | 8          | 018090     |            |            | 018090_008 |            |            |
| B5   | Hinge suplement in plastic            | 2               | 3          | 4          | 2          | 3          | 4          | 018085     |            |            |            |            |            |
| B6   | Door hinge without edge DB 808        | 2               | 3          | 4          | 2          | 3          | 4          | 004091     |            |            |            |            |            |

| N.º  | Designação Unitária           | Unidades por Modelo |            |            |            |            |            | Código Armazém |            |            |             |            |            |
|------|-------------------------------|---------------------|------------|------------|------------|------------|------------|----------------|------------|------------|-------------|------------|------------|
|      |                               | TAVT/2-R2           | TAVT/3-R2  | TAVT/4-R2  | TAVX/2-R2  | TAVX/3-R2  | TAVX/4-R2  | TAVT/2-R2      | TAVT/3-R2  | TAVT/4-R2  | TAVX/2-R2   | TAVX/3-R2  | TAVX/4-R2  |
|      |                               | 800991_100          | 800999_100 | 801007_100 | 800993_100 | 801001_100 | 801009_100 | 800991_100     | 800999_100 | 801007_100 | 800993_100  | 801001_100 | 801009_100 |
| 1    | Compressor                    | 1                   |            |            |            |            |            | 003450         | 003446     | 003450     |             | 003446     |            |
| 1.1  | Relé e Térmico p/ Compressor  | 1                   |            |            |            |            |            | 003450_001     | 003446_001 | 003450_001 |             | 003446_001 |            |
| 1.2  | Condensador p/ Compressor     | 1                   |            |            |            |            |            | 003429_002     |            |            |             |            |            |
| 2    | Cabo de Alimentação           | 1                   |            |            |            |            |            | 012003         |            |            |             |            |            |
| 2.1  | Serra Cabos                   | 1                   |            |            |            |            |            | 018001         |            |            |             |            |            |
| 2.2  | Caixa p/ Cabo Alimentação     | 1                   |            |            |            |            |            | 109990_006     |            |            |             |            |            |
| 3    | Ventilador                    | 1                   |            |            |            |            |            | 001102_005     |            |            |             |            |            |
| 4    | Condensador                   | 1                   |            |            |            |            |            | 003451         |            |            |             |            |            |
| 5    | Filtro 30 g Universal         | 1                   |            |            |            |            |            | 006022         |            |            |             |            |            |
| 6    | Aparadeira de Descongelação   | 1                   |            |            |            |            |            | 029000_101     |            |            |             |            |            |
| 7    | Proteção Zona Motor           | 1                   |            |            |            |            |            | 116025_200     |            |            | 116045_200  |            |            |
| 8    | Grelha Traseira (Galvanizada) | 1                   |            |            |            |            |            | 107004_200     |            |            |             |            |            |
| 9    | Grelha Frontal                | 1                   |            |            |            |            |            | 108346_800     |            |            | 108346_1000 |            |            |
| 9.1  | Grelha Frontal HC700          | 1                   |            |            |            |            |            | 007038         |            |            | 007038_008  |            |            |
| 10   | Topo red. 16 mm Preto         | 6                   |            |            |            |            |            | 020173         |            |            |             |            |            |
| 11   | Termostato Digital            | 1                   |            |            |            |            |            | 020260         |            |            |             |            |            |
| 12   | Sonda Termóstato Digital      | 2                   |            |            |            |            |            | 018058         |            |            |             |            |            |
| 13   | Interruptor Branco            | 1                   |            |            |            |            |            | 009024         |            |            |             |            |            |
| 14   | Interruptor Branco Iluminação | 1                   |            |            |            |            |            | 009019         |            |            |             |            |            |
| 15   | Transformador LEDS            | 1                   |            |            |            |            |            | 006095_1200    |            |            |             |            |            |
| 16   | Fita Led                      | 1                   |            |            |            |            |            | 006095_012     |            |            |             |            |            |
| 16.1 | Perfil Cristal p/ Fita Led    | 1                   |            |            |            |            |            | 016212_002     |            |            |             |            |            |
| 17   | Caixa de Ligações             | 1                   |            |            |            |            |            | 003093         |            |            |             |            |            |
| 18   | Separador 160 (entre Portas)  | 1                   | 2          | 3          | 1          | 2          | 3          | 123128_100     |            |            | 123123_100  |            |            |
| 19   | Calhas Denteis Lateral        | 4                   |            |            |            |            |            | 103034_100     |            |            |             |            |            |
| 20   | Calhas Denteis Frente         | 2                   | 4          | 6          | 2          | 4          | 6          | 103034_200     |            |            |             |            |            |
| 21   | Calhas Denteis Traseira       | 2                   | 4          | 6          | 2          | 4          | 6          | 103034_300     |            |            |             |            |            |
| 22   | Denteis Plásticos             | 16                  | 24         | 32         | 16         | 24         | 32         | 004042_001     |            |            |             |            |            |
| 23   | Prateleira 455 x 405mm        | 4                   | 6          | 8          | 4          | 6          | 8          | 007065_008     |            |            |             |            |            |
| 24   | Separador Arame FGB           | - - -               | 2          | 4          | - - -      | 2          | 4          | 018008         |            |            |             |            |            |
| 25   | Pés Reguláveis 75 mm          | 4                   |            |            |            |            |            | 016237         |            |            |             |            |            |

| N.º  | Designação Unitária               | Unidades por Modelo |            |            |            |            |            | Código Armazém |            |            |            |            |            |
|------|-----------------------------------|---------------------|------------|------------|------------|------------|------------|----------------|------------|------------|------------|------------|------------|
|      |                                   | TAVT/2-R2           | TAVT/3-R2  | TAVT/4-R2  | TAVX/2-R2  | TAVX/3-R2  | TAVX/4-R2  | TAVT/2-R2      | TAVT/3-R2  | TAVT/4-R2  | TAVX/2-R2  | TAVX/3-R2  | TAVX/4-R2  |
|      |                                   | 800991_100          | 800999_100 | 801007_100 | 800993_100 | 801001_100 | 801009_100 | 800991_100     | 800999_100 | 801007_100 | 800993_100 | 801001_100 | 801009_100 |
| A    | Evaporador                        | 1                   |            |            |            |            |            | 005046_001     | 005047_001 | 005059_001 | 005046_001 | 005047_001 | 005059_001 |
| A1   | Ventilador Evaporador             | 2                   |            |            |            |            |            | 001102_004     |            |            |            |            |            |
| A2   | Grelha Ventilador                 | 2                   |            |            |            |            |            | 001127_100     |            |            |            |            |            |
| A3   | Aparadeira Evaporador             | 1                   |            |            |            |            |            | 001126_100     |            |            |            |            |            |
| B1   | Porta Opaca/FGB 540               | 2                   | 3          | 4          | 2          | 3          | 4          | 123126_100     |            |            | 123127_100 |            |            |
| B1.1 | Vedante p/ Porta FGB 540          | 2                   | 3          | 4          | 2          | 3          | 4          | 002092_100     |            |            |            |            |            |
| B2   | Suporte Sup. Dir. p/ Porta DB515P | 1                   | 1          | 2          | 1          | 1          | 2          | 018097         |            |            | 018097_008 |            |            |
| B2.1 | Suporte Sup. Esq. p/ Porta DB513P | 1                   | 1          | 2          | 1          | 1          | 2          | 018096         |            |            | 018096_008 |            |            |
| B3   | Suporte Inf. Dir. p/ Pivô DB810P  | 1                   | 1          | 2          | 1          | 1          | 2          | 018094         |            |            | 018094_008 |            |            |
| B3.1 | Suporte Inf. Esq. p/ Pivô DB811P  | 1                   | 1          | 2          | 1          | 1          | 2          | 018095         |            |            | 018095_008 |            |            |
| B4   | Suplemento do Suporte AC1143      | 4                   | 6          | 8          | 4          | 6          | 8          | 018090         |            |            | 018090_008 |            |            |
| B5   | Suplemento Plástico p/ Dobradiça  | 2                   | 3          | 4          | 2          | 3          | 4          | 018085         |            |            | 018085_008 |            |            |
| B6   | Dobradiça Sem Aba DB 808          | 2                   | 3          | 4          | 2          | 3          | 4          | 004091         |            |            |            |            |            |



Localização: U:\Solid Desenhos\Produtos\Frigobares Geral\Frigobares 2018\FGB\_3 51\DIAMOND\F\_EG FGB 351-206 PO\_DIAMOND Escala: 1: 18 Superfície: ----- Peso: -----

| Data             | Nome |
|------------------|------|
| Des.: 20/06/2018 |      |
| Ver.:            |      |
| Apr.:            |      |

Material: Skinplate//Inox

Denominação: **Explod View**  
**TAVT/2-R2 | TAVX/2-R2**  
**TAVT/3-R2 | TAVX/3-R2**  
**TAVT/4-R2 | TAVX/4-R2**

| Modificação  | Data | Nome |
|--|------|------|
| <p>Aviso<br/>                     ESTE DESENHO NÃO DEVE SER USADO NEM REPRODUZIDO NO TODO OU EM PARTE, SEM O PRÉVIO CONSENTIMENTO POR ESCRITO DA: OLTREM SA</p>        |      |      |
| <p>Tolerâncias:<br/>                     Até 100 mm : +/-1mm<br/>                     De 100 a 1000 mm ; +/- 1,5 mm<br/>                     Mais de 1000 mm ; 2mm</p> |      |      |
| <p>Excepto quando especificado no desenho</p>  |      |      |



Modelo: FGB PO/005

Nº Desenho: FGB/EG 02.01/G

Folha: 01

01 Fls

Organograma: Desenho pai: **LP 01\_R01**