

11/2018

# Mod: TAVT/4-R2

Production code: FGB 451/267 PO



**Diamond**  
catering equipment

## List Spare Parts | TAVT-TAVX/2.3.4-R2

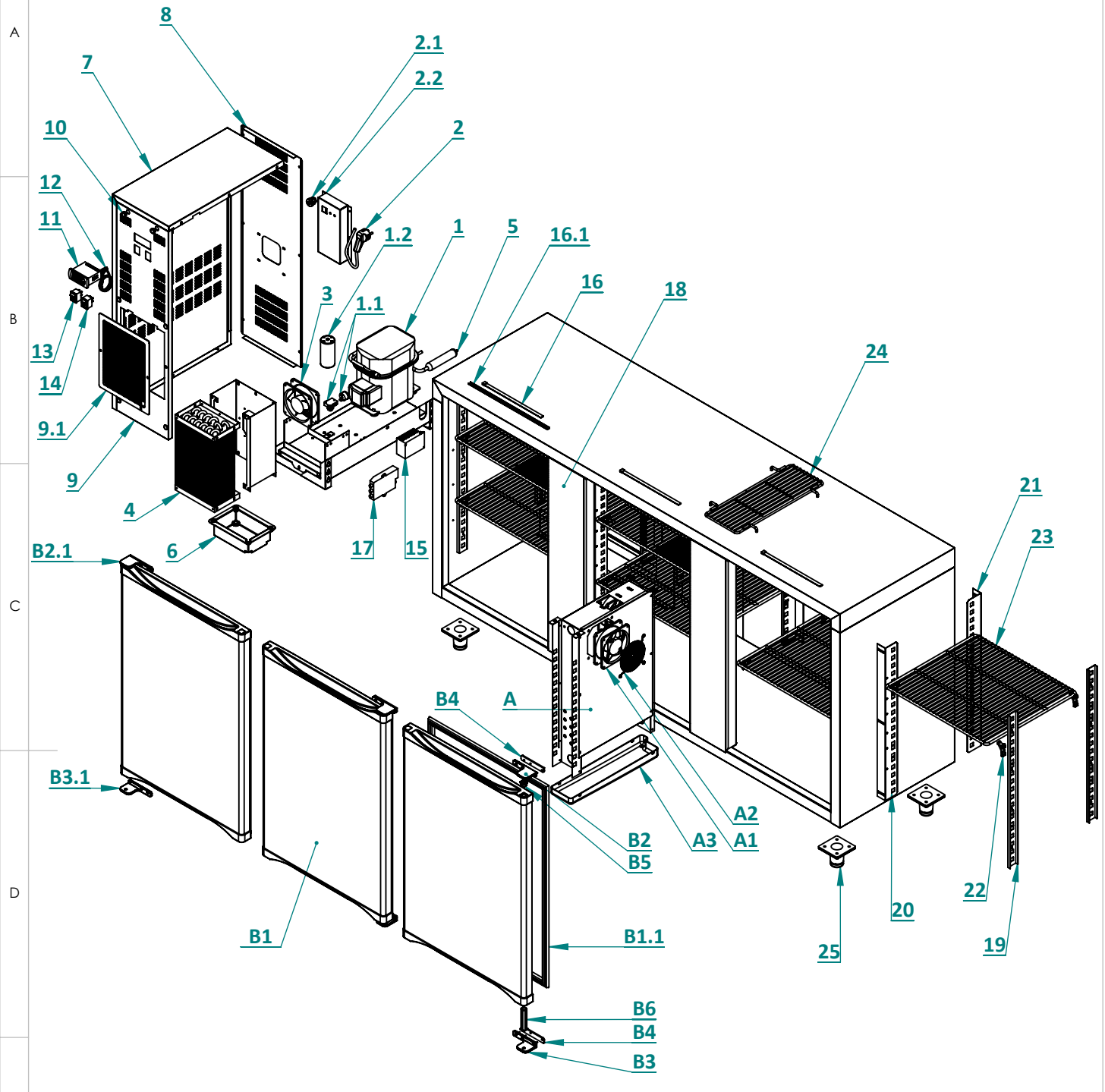
N.º	Unit Designation	Units per Model						Code					
		TAVT/2-R2	TAVT/3-R2	TAVT/4-R2	TAVX/2-R2	TAVX/3-R2	TAVX/4-R2	TAVT/2-R2	TAVT/3-R2	TAVT/4-R2	TAVX/2-R2	TAVX/3-R2	TAVX/4-R2
		800991_100	800999_100	801007_100	800993_100	801001_100	801009_100	800991_100	800999_100	801007_100	800993_100	801001_100	801009_100
1	Compressor	1						003450	003446	003450		003446	
1.1	Compressor protector	1						003450_001	003446_001	003450_001		003446_001	
1.2	Compressor condenser	1						003429_002					
2	European plug	1						012003					
2.1	Bushing	1						018001					
2.2	Power Plug box	1						109990_006					
3	Fan	1						001102_005					
4	Condenser	1						003451					
5	Universal filter 30 g	1						006022					
6	Water tray	1						029000_101					
7	Motor zone protection	1						116025_200			116045_200		
8	Back Grill (Galvanized)	1						107004_200					
9	Front Grid	1						108346_800			108346_1000		
9.1	Front Grid HC700	1						007038			007038_008		
10	Black round cover 16mm	6						020173					
11	Digital thermostat	1						020260					
12	Digital thermostat probe	2						018058					
13	White switch	1						009024					
14	Light white switch	1						009019					
15	LEDS transformer	1						006095_1200					
16	Led Stripe	1						006095_012					
16.1	Cover Led difusor profile	1						016212_002					
17	Connection box	1						003093					
18	Separator 160 (doors)	1	2	3	1	2	3	123128_100			123123_100		
19	Side shelf support	4						103034_100					
20	Front shelf support	2	4	6	2	4	6	103034_200					
21	Back shelf support	2	4	6	2	4	6	103034_300					
22	Shelf holder	16	24	32	16	24	32	004042_001					
23	Shelf 455 x 405mm	4	6	8	4	6	8	007065_008					
24	Shelf separator FGB	---	2	4	---	2	4	018008					
25	Ajustable feet 75 mm	4						016237					

## List Spare Parts | TAVT-TAVX/2.3.4-R2

N.º	Unit Designation	Units per Model						Code					
		TAVT/2-R2	TAVT/3-R2	TAVT/4-R2	TAVX/2-R2	TAVX/3-R2	TAVX/4-R2	TAVT/2-R2	TAVT/3-R2	TAVT/4-R2	TAVX/2-R2	TAVX/3-R2	TAVX/4-R2
		800991_100	800999_100	801007_100	800993_100	801001_100	801009_100	800991_100	800999_100	801007_100	800993_100	801001_100	801009_100
A	Evaporator	1						005046_001	005047_001	005059_001	005046_001	005047_001	005059_001
A1	Evaporator Fan	2						001102_004					
A2	Protection fan grid	2						001127_100					
A3	Evaporator tray	1						001126_100					
B1	Solid door/FGB 540	2	3	4	2	3	4	123126_100			123127_100		
B1.1	Door gasket FGB 540	2	3	4	2	3	4	002092_100					
B2	Top support right door DB515P	1	1	2	1	1	2	018097			018097_008		
B2.1	Top support left door DB513P	1	1	2	1	1	2	018096			018096_008		
B3	Bottom support right for Pivot DB810P	1	1	2	1	1	2	018094			018094_008		
B3.1	Bottom support for Pivot DB811P	1	1	2	1	1	2	018095			018095_008		
B4	Support suplement AC1143	4	6	8	4	6	8	018090			018090_008		
B5	Hinge suplement in plastic	2	3	4	2	3	4	018085					
B6	Door hinge without edge DB 808	2	3	4	2	3	4	004091					

N.º	Designação Unitária	Unidades por Modelo						Código Armazém					
		TAVT/2-R2	TAVT/3-R2	TAVT/4-R2	TAVX/2-R2	TAVX/3-R2	TAVX/4-R2	TAVT/2-R2	TAVT/3-R2	TAVT/4-R2	TAVX/2-R2	TAVX/3-R2	TAVX/4-R2
		800991_100	800999_100	801007_100	800993_100	801001_100	801009_100	800991_100	800999_100	801007_100	800993_100	801001_100	801009_100
1	Compressor	1						003450	003446	003450		003446	
1.1	Relé e Térmico p/ Compressor	1						003450_001	003446_001	003450_001		003446_001	
1.2	Condensador p/ Compressor	1						003429_002					
2	Cabo de Alimentação	1						012003					
2.1	Serra Cabos	1						018001					
2.2	Caixa p/ Cabo Alimentação	1						109990_006					
3	Ventilador	1						001102_005					
4	Condensador	1						003451					
5	Filtro 30 g Universal	1						006022					
6	Aparadeira de Descongelação	1						029000_101					
7	Proteção Zona Motor	1						116025_200			116045_200		
8	Grelha Traseira (Galvanizada)	1						107004_200					
9	Grelha Frontal	1						108346_800			108346_1000		
9.1	Grelha Frontal HC700	1						007038			007038_008		
10	Topo red. 16 mm Preto	6						020173					
11	Termostato Digital	1						020260					
12	Sonda Termóstato Digital	2						018058					
13	Interruptor Branco	1						009024					
14	Interruptor Branco Iluminação	1						009019					
15	Transformador LEDS	1						006095_1200					
16	Fita Led	1						006095_012					
16.1	Perfil Cristal p/ Fita Led	1						016212_002					
17	Caixa de Ligações	1						003093					
18	Separador 160 (entre Portas)	1	2	3	1	2	3	123128_100			123123_100		
19	Calhas Denteis Lateral	4						103034_100					
20	Calhas Denteis Frente	2	4	6	2	4	6	103034_200					
21	Calhas Denteis Traseira	2	4	6	2	4	6	103034_300					
22	Denteis Plásticos	16	24	32	16	24	32	004042_001					
23	Prateleira 455 x 405mm	4	6	8	4	6	8	007065_008					
24	Separador Arame FGB	- - -	2	4	- - -	2	4	018008					
25	Pés Reguláveis 75 mm	4						016237					

N.º	Designação Unitária	Unidades por Modelo						Código Armazém					
		TAVT/2-R2	TAVT/3-R2	TAVT/4-R2	TAVX/2-R2	TAVX/3-R2	TAVX/4-R2	TAVT/2-R2	TAVT/3-R2	TAVT/4-R2	TAVX/2-R2	TAVX/3-R2	TAVX/4-R2
		800991_100	800999_100	801007_100	800993_100	801001_100	801009_100	800991_100	800999_100	801007_100	800993_100	801001_100	801009_100
A	Evaporador	1						005046_001	005047_001	005059_001	005046_001	005047_001	005059_001
A1	Ventilador Evaporador	2						001102_004					
A2	Grelha Ventilador	2						001127_100					
A3	Aparadeira Evaporador	1						001126_100					
B1	Porta Opaca/FGB 540	2	3	4	2	3	4	123126_100			123127_100		
B1.1	Vedante p/ Porta FGB 540	2	3	4	2	3	4	002092_100					
B2	Suporte Sup. Dir. p/ Porta DB515P	1	1	2	1	1	2	018097			018097_008		
B2.1	Suporte Sup. Esq. p/ Porta DB513P	1	1	2	1	1	2	018096			018096_008		
B3	Suporte Inf. Dir. p/ Pivô DB810P	1	1	2	1	1	2	018094			018094_008		
B3.1	Suporte Inf. Esq. p/ Pivô DB811P	1	1	2	1	1	2	018095			018095_008		
B4	Suplemento do Suporte AC1143	4	6	8	4	6	8	018090			018090_008		
B5	Suplemento Plástico p/ Dobradiça	2	3	4	2	3	4	018085			018085_008		
B6	Dobradiça Sem Aba DB 808	2	3	4	2	3	4	004091					



Localização: U:\Solid Desenhos\Produtos\Frigobares Geral\Frigobares 2018\FGB\_3 51\DIAMOND\F\_EG FGB 351-206 PO\_DIAMOND Escala: 1: 18 Superfície: ----- Peso: -----

	Data	Nome
Des.:	20/06/2018	
Ver.:		
Apr.:		

Material: Skinplate//Inox

Denominação: **Explod View**  
**TAVT/2-R2 | TAVX/2-R2**  
**TAVT/3-R2 | TAVX/3-R2**  
**TAVT/4-R2 | TAVX/4-R2**

Modificação	Data	Nome
<p><b>Tolerâncias:</b>  Até 100 mm : +/-1mm  De 100 a 1000 mm ; +/- 1,5 mm  Mais de 1000 mm ; 2mm  Excepto quando especificado no desenho</p>		



Modelo: FGB PO/005

Nº Desenho: FGB/EG 02.01/G

Folha: 01  
01 Fls

Organograma: Desenho pai: **LP 01\_R01**