



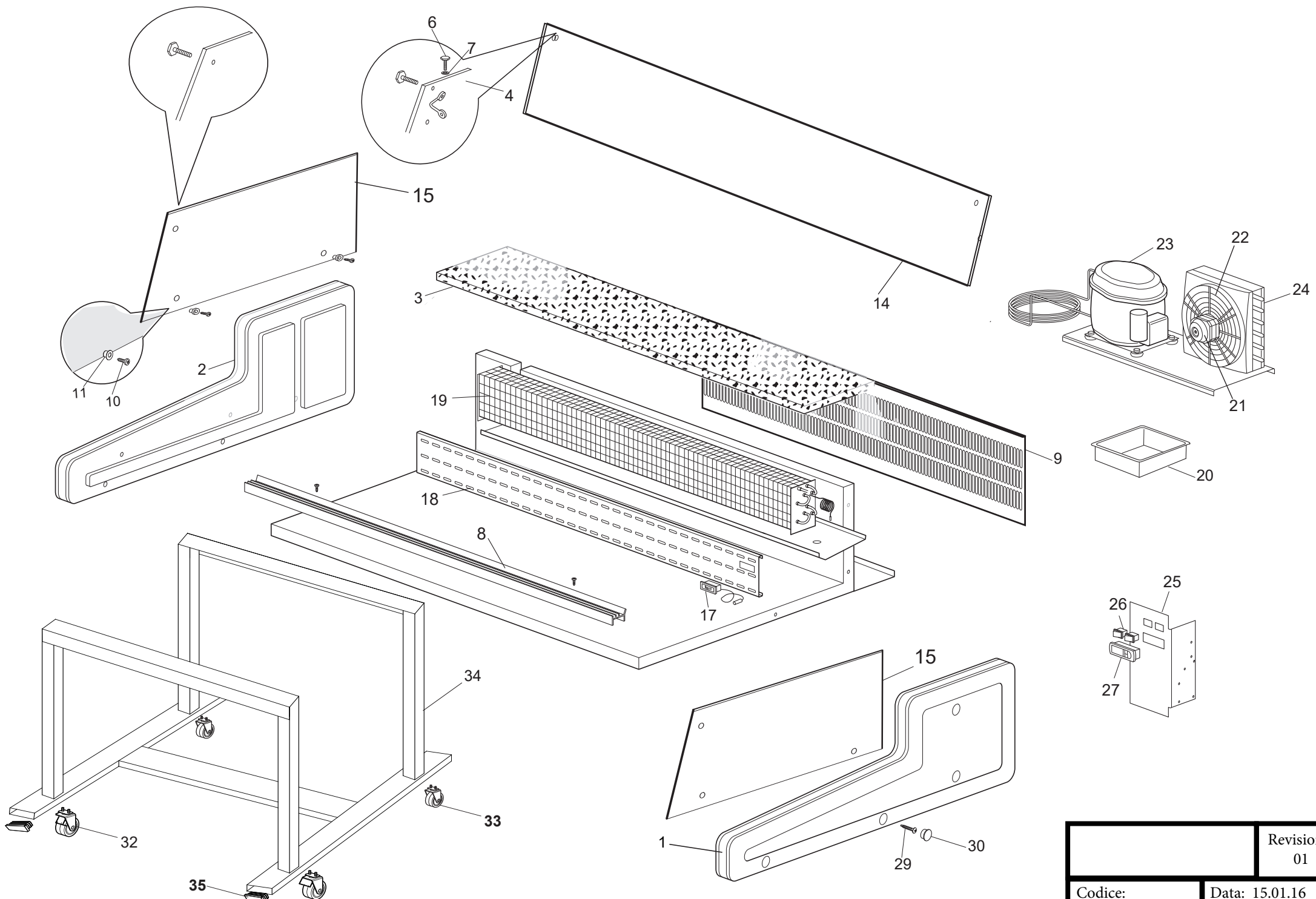
# **MOD : SUP10-ZS/R2**

**Production code : RS100PSSG00H**

Jet engine compressor drawings

Creative  
MARKET

**08/2023**



	Revisione: 01
Codice:	Data: 15.01.16