

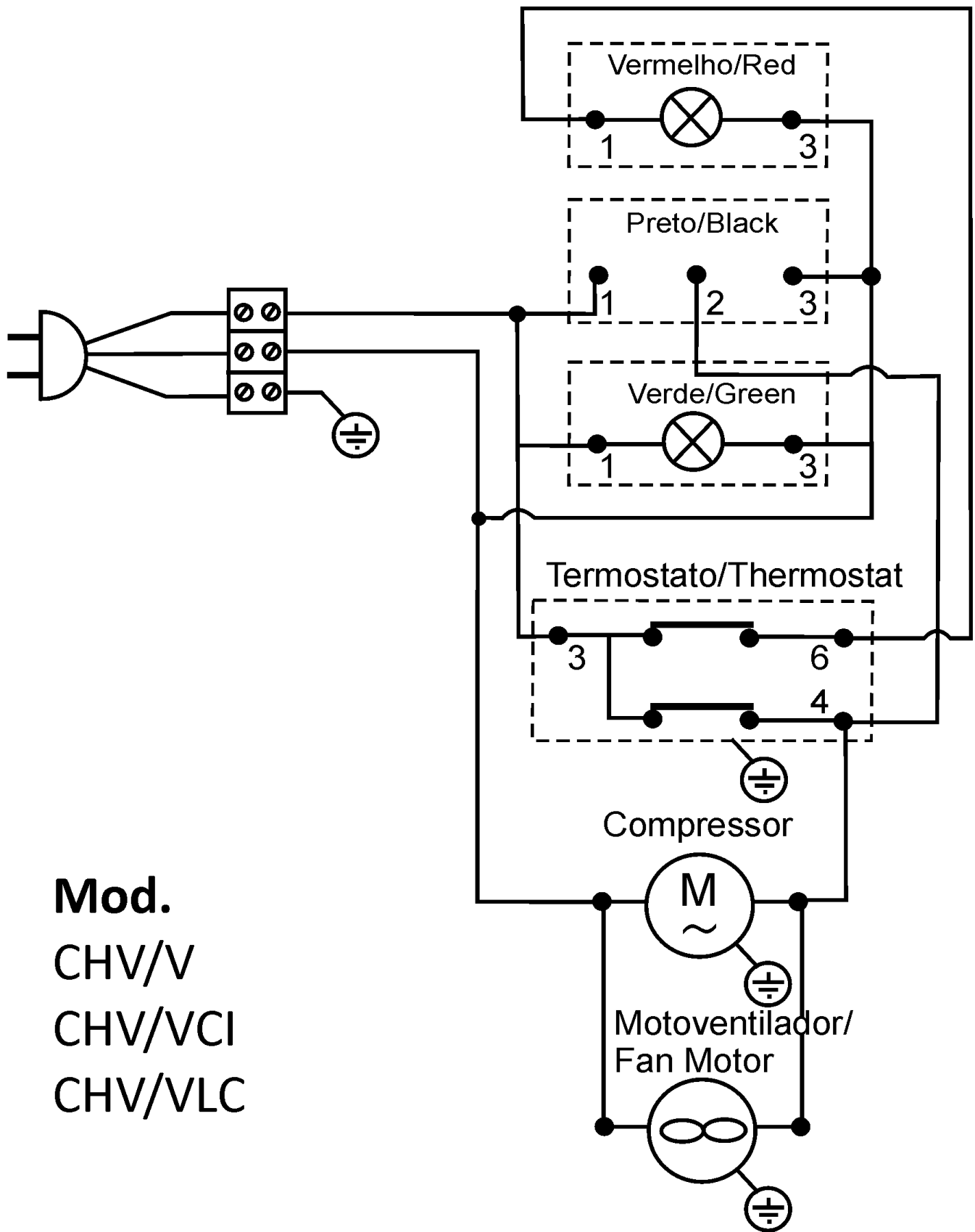
01/2019

# Mod: **SLID-18-R2**

**Production code: 06.03.0.BR.50.2.F.230.50 (550 CHV/VCI)**



**Diamond**  
catering equipment



**Mod.**

CHV/V

CHV/VCI

CHV/VLC