

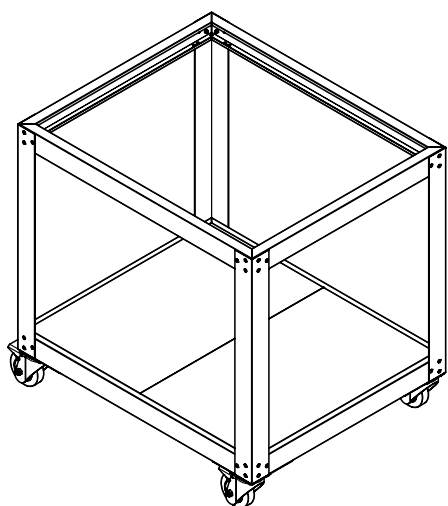
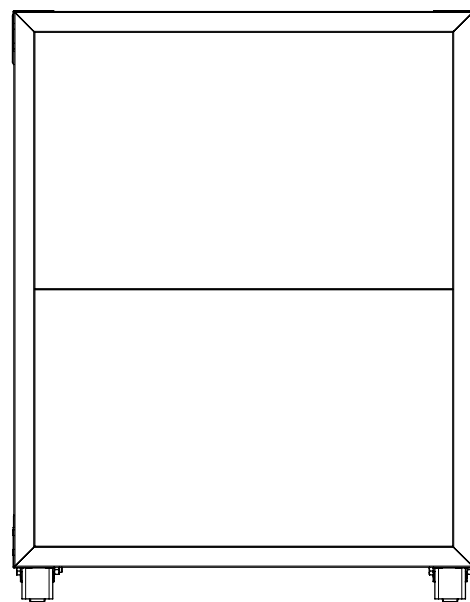
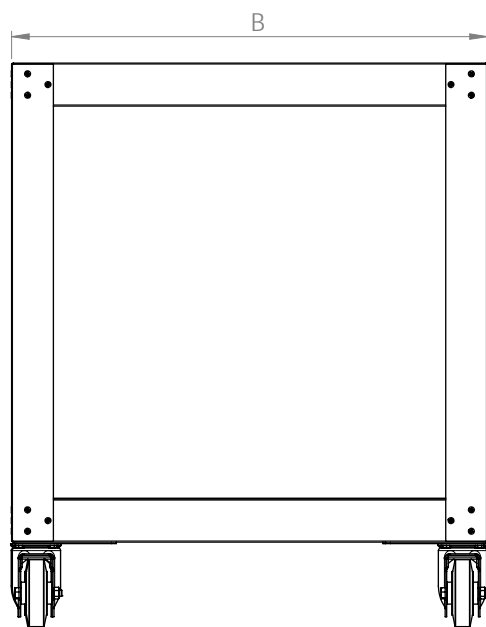
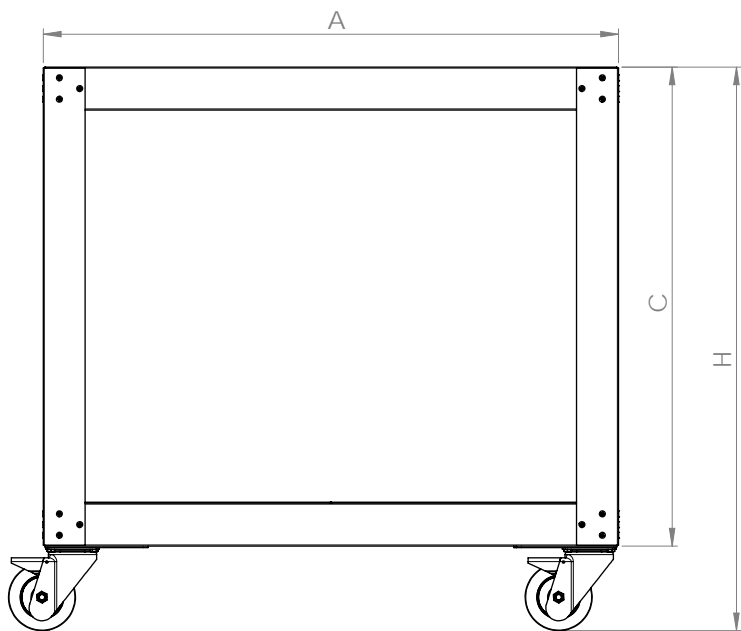
01/2018

Mod: **SLD12/35XL-N**

Production code: **P11SP20015**



Diamond
catering equipment



INGOMBRI SUPPORTI FORNI LOGIC PLUS LINE

| MOD. FORNO | COD. SUPPORTO | A | B | C | H | Peso netto (Kg) |
|------------|---------------|------|------|------|------|-----------------|
| | | (mm) | (mm) | (mm) | (mm) | |
| 4 | P11SP20009 | 1073 | 888 | 894 | 1049 | 34 |
| 6 | P11SP20010 | 1073 | 1238 | 894 | 1049 | 44 |
| 6L | P11SP20011 | 1422 | 888 | 894 | 1049 | 44 |
| 9 | P11SP20012 | 1422 | 1238 | 894 | 1049 | 50 |
| 8 | P11SP20013 | 1073 | 888 | 694 | 849 | 35 |
| 12 | P11SP20014 | 1073 | 1238 | 694 | 849 | 42 |
| 12L | P11SP20015 | 1422 | 888 | 694 | 849 | 42 |
| 18 | P11SP20016 | 1422 | 1238 | 694 | 849 | 48 |