

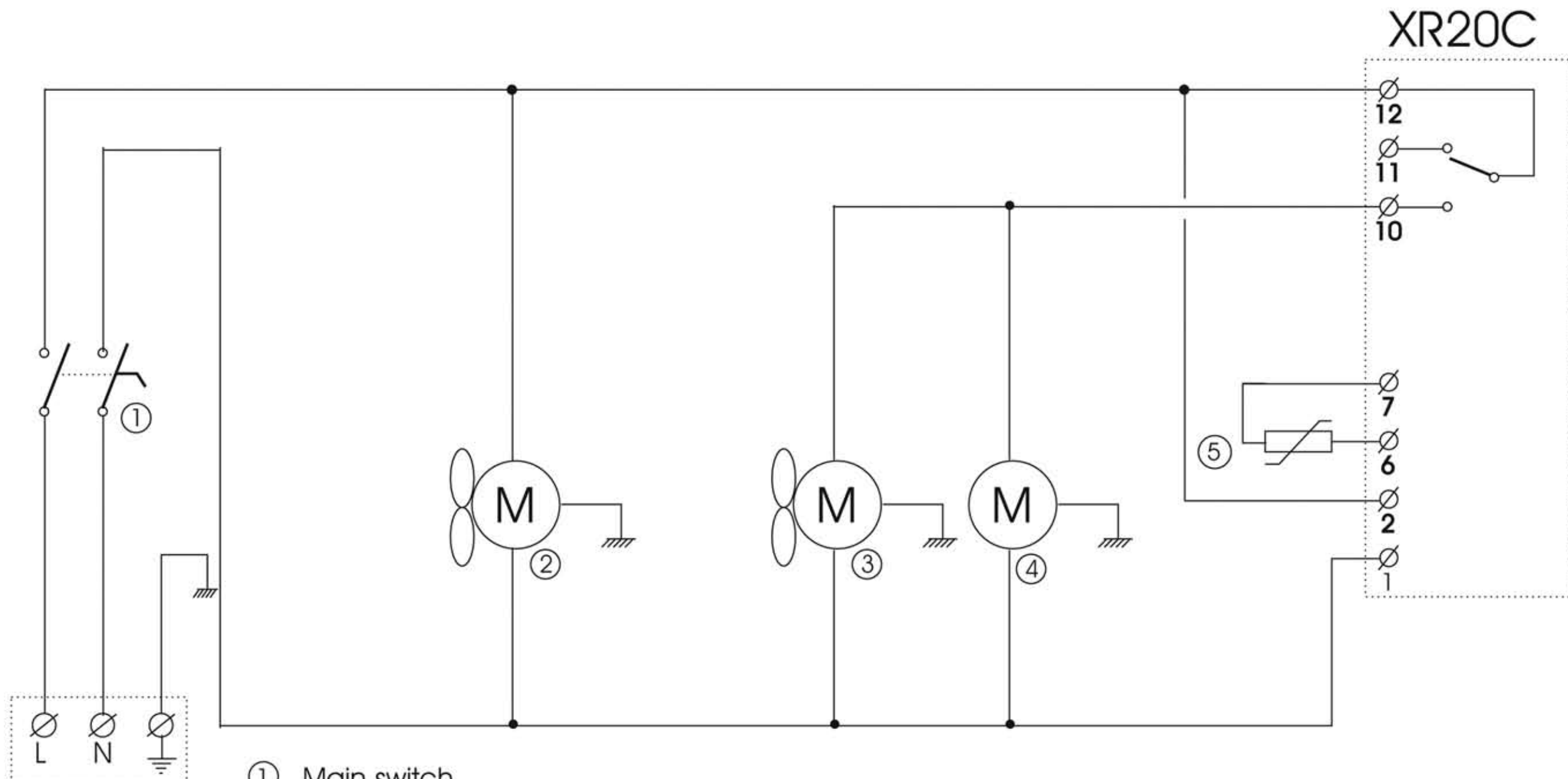
07/2018

Mod: SAL2M/R6

Production code: 39130611000 / GS20I



Diamond
catering equipment



- ① Main switch
- ② Evaporator fan
- ③ Condenser fan
- ④ Compressor
- ⑤ Cabinet probe