

12/2017

Mod: PV600X-R6

Production code: 19046924



Diamond
catering equipment

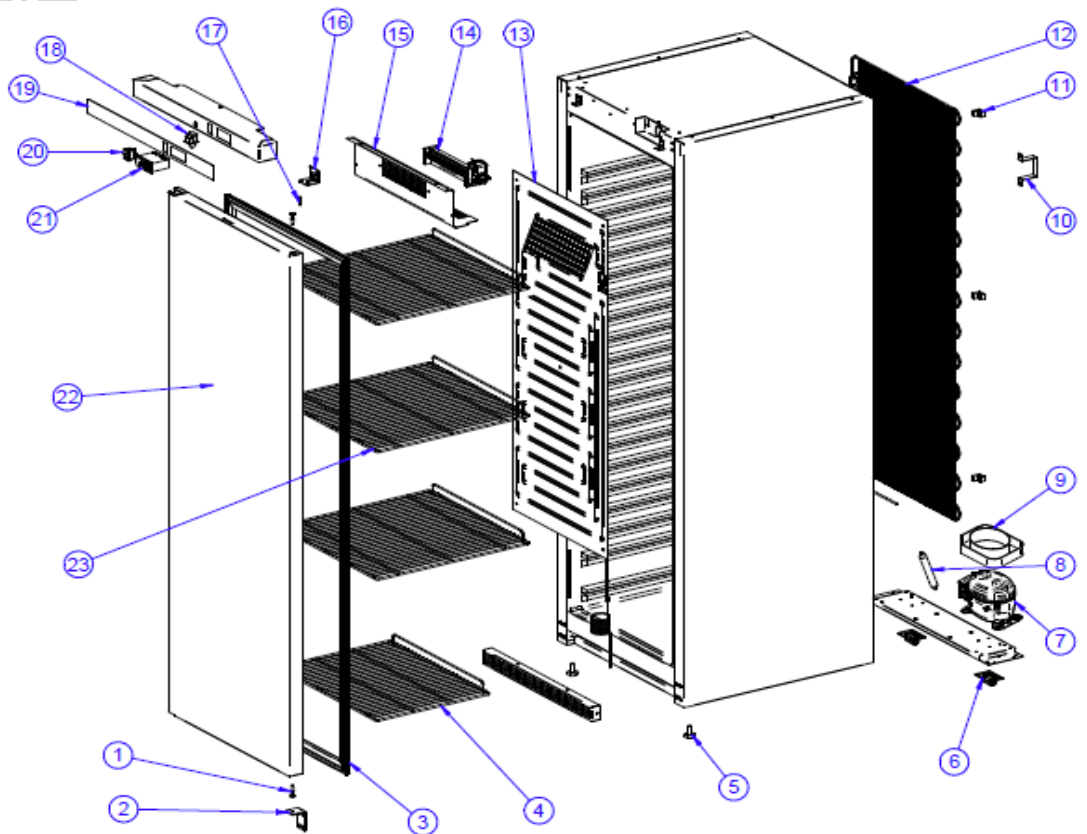
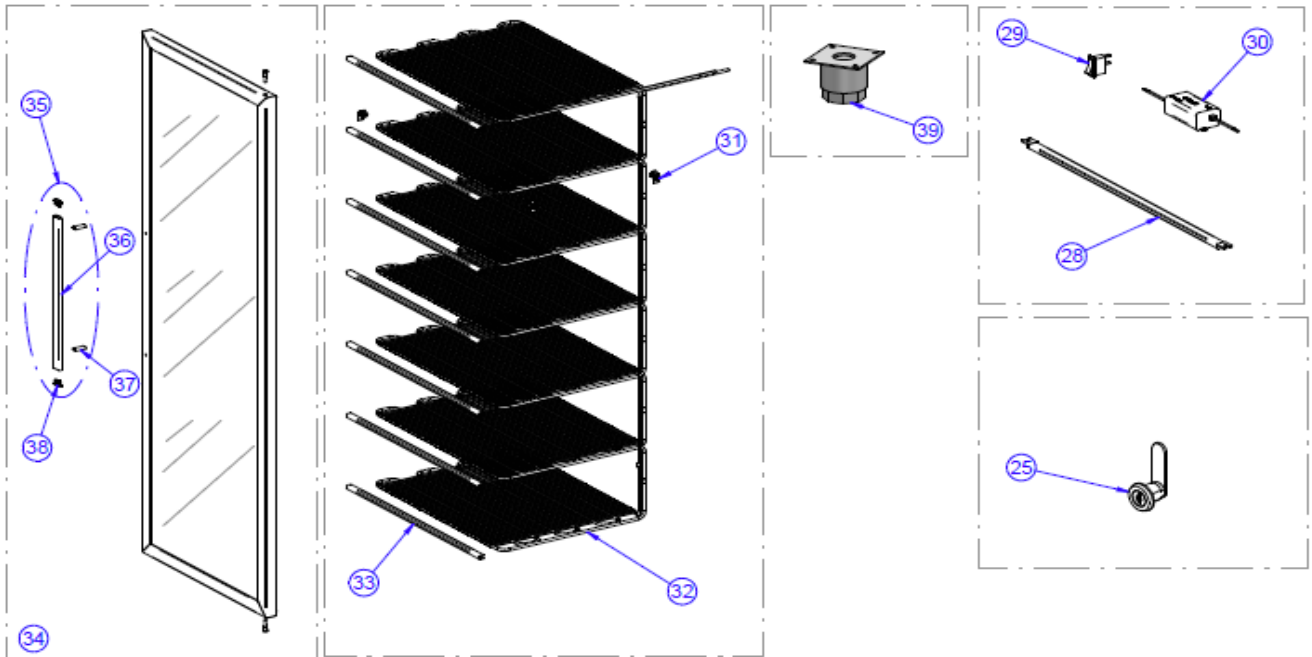
PV600X-R6 REF. 19046924

PV400X-R6 REF. 19046926

N600X-R2 REF. 19046925

N400X-R2 REF. 19046927

Versión 08-2017



PV600X-R6 REF. 19046924

PV400X-R6 REF. 19046926

N600X-R2 REF. 19046925

N400X-R2 REF. 19046927

Versión 08-2017

| Nº | CODE CÓDIGO | RECOM. | DESCRIPTION | DESCRIPCIÓN | PV600X-R6 | PV400X-R6 | N600X-R2 | N400X-R2 |
|----|----------------|--------|-------------------------------|-------------------------------|-----------|-----------|----------|----------|
| 1 | 12057445 | | ROTATION BUSHING | CAPSULA DE GIRO | 2 | 2 | 2 | 2 |
| 2 | 12133508 | | DOOR BOTTOM SUPPORT | SOPORT.BISAG.INFERIOR | 1 | 1 | 1 | 1 |
| 3 | 12134017 | | WEATHERSTRIP 600 | BURLETE 600 | 1 | | 1 | |
| | 12134016 | | WEATHERSTRIP 400 | BURLETE 400 | | 1 | | 1 |
| 4 | 12139228 | | BOTTOM SHELF 600 | PARRILLA INFERIOR 600 | 1 | | | |
| | 12139169 | | BOTTOM SHELF 400 | PARRILLA INFERIOR 400 | | 1 | | |
| 5 | 12058693 | | LEVELING FOOT M10x30 MM | PIE NIVELADOR HEXAG.M10x30 MM | | | | |
| 6 | 12058632 | | WHEEL 23x35 MM | RODILLO 23x35 MM | | | | |
| 7 | 12128698 | | COMPRESSOR R-600a | COMPRESOR R-600a | 1 | 1 | | |
| | 12139055 | | COMPRESSOR R290 | COMPRESOR R-290 | | | 1 | 1 |
| 8 | 12061055 | | FILTER | FILTRO DESHIDRATADOR 20 grms. | 1 | 1 | 1 | 1 |
| 9 | 12128699 | | COMPRESSOR EVAPORATION TRAY | BANDEJA EVAPORACION COMPRESOR | 1 | 1 | | |
| 10 | 12127122 | | REAR SEPARATOR 50 MM | OMEGA RESPALDO SEPAR.50 MM | 2 | 2 | 2 | 2 |
| 11 | 12057484 | | CONDENSER MOUNTING BRACKET | SOPORTE FIJAC.CONDENSADOR | 6 | 6 | 6 | 6 |
| 12 | 12061004 | | TUBE CONDENSER | CONDENSADOR DE TUBO | 1 | 1 | 1 | 1 |
| 13 | 12121629 | | PLATE EVAPORATOR | PLACA EVAPORADOR | 1 | 1 | | |
| 14 | 12059052 | | INTERIOR TURBINE | TURBINA INTERIOR | 1 | 1 | | |
| 15 | 12134820 | | TURBINE SUPPORT | TIRO FORZADO | 1 | 1 | | |
| 16 | 12037724 | | DOOR TOP SUPPORT | BISAGRA SUPERIOR S/EJE | 1 | 1 | 1 | 1 |
| 17 | 12058493 | | TOP SUPPORT SHAFT | EJE BISAGRA SUPERIOR | 1 | 1 | 1 | 1 |
| 18 | 12036888 | | DOOR MICRO SWITCH | MICRO CONMUTADOR PUERTA | 1 | 1 | | |
| 19 | 12167719 | | STICKER 600 | PEGATINA CUADRO MANDOS 600 | 1 | | 1 | |
| | 12167720 | | STICKER 400 | PEGATINA CUADRO MANDOS 400 | | 1 | | 1 |
| 20 | 12049461 | | GENERAL SWITCH | INTERRUPTOR BIPOLAR | 1 | 1 | 1 | 1 |
| 21 | 12047691 | | THERMOSTAT | TERMOSTATO | 1 | 1 | 1 | 1 |
| 22 | 12138857 | | FULL STAINLESS STEEL DOOR 600 | PUERTA COMPLETA INOX 600 | 1 | | 1 | |
| | 12138839 | | FULL STAINLESS STEEL DOOR 400 | PUERTA COMPLETA INOX 400 | | 1 | | 1 |
| 23 | 12134059 | | TOP SHELF 600 | PARRILLA SUPERIOR 600 | 3 | | | |
| | 12134053 | | TOP SHELF 400 | PARRILLA SUPERIOR 400 | | 3 | | |
| 25 | 12038139 | | 90° LOCK | CERRADURA 90° | 1 | 1 | 1 | 1 |
| 28 | 12139556 | | LED STRIP | CJTO. LED AGB | | | | |
| 29 | 12058759 | | SWITCH LIGHT | INTERRUPTOR UNIPOLAR LUZ | | | | |
| 30 | 12101518 | | POWER SUPPLY 12V 12W | FUENTE ALIMENTC. 12V 12W | | | | |
| 31 | 12057457 | | EVAPORATOR SUPPORT | SOPORTE EVAPORADOR | | | 40 | 40 |
| 32 | 12134115 | | EVAPORATOR OF FREEZE | EVAPORADOR CONGELACION | | | 1 | 1 |
| 33 | 12152838 | | EVAPORATOR PROTECTOR | PROTECTOR EVAPORADOR | | | 6 | 6 |
| 34 | 12139437 | | GLASS DOOR | PUERTA COMPLETA CRISTAL | | | | |
| 35 | 12123472 | | DOOR HANDLE | CONJUNTO TIRADOR | | | | |
| 36 | 12121389 | | ALUMINUM PROFILE HANDLE | PERFIL TIRADOR | | | | |
| 37 | 12121390 | | SEPARATOR | SEPARADOR TIRADOR | | | | |
| 38 | 12121393 | | HANDLE PLUG | TAPETA TIRADOR | | | | |
| 39 | 12043729 | | LEVELING FOOT INOX | PATA INOX | 4 | 4 | 4 | 4 |

Notes: