

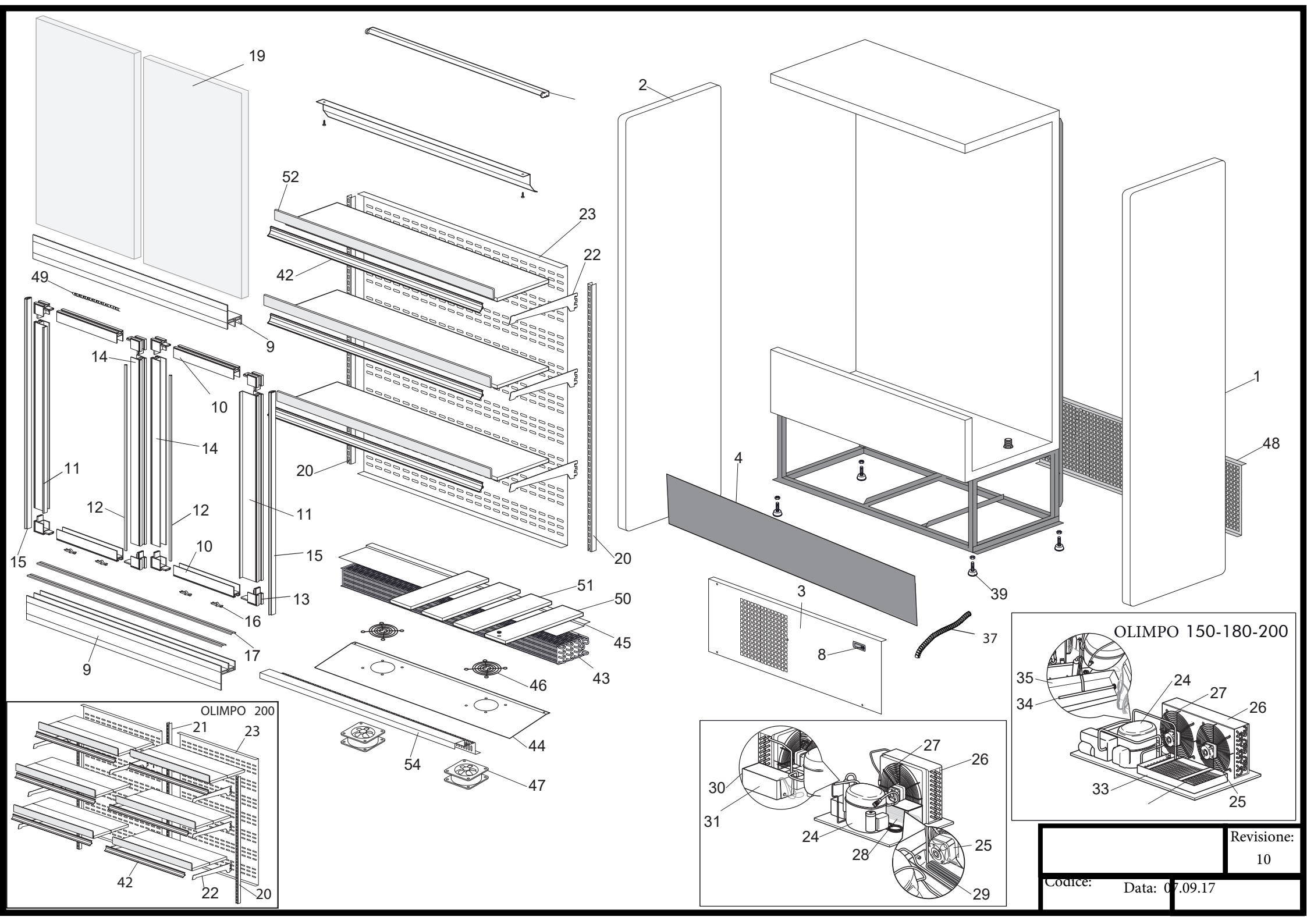
10/2021

Mod: PADOVA LINE

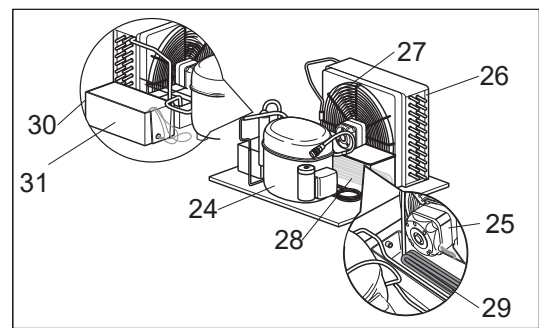
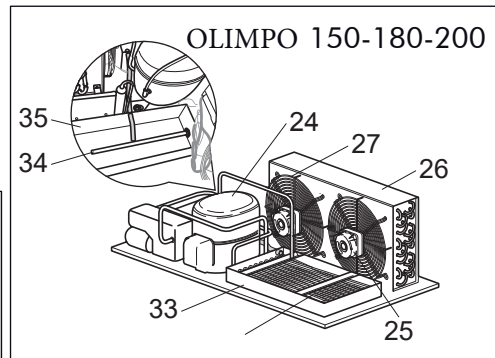
Production code:

Ref. Diamond

OM100PSVND97SH	PD10/B5-R2
OM120PSVND97SH	PD12/B5-R2
OM150PSVND97SH	PD15/B5-R2
OM180PSVND97SH	PD18/B5-R2
OM200PSVND97SH	PD20/B5-R2
OM100PSVGD116SH	PD10/A7-R2
OM120PSVGD116SH	PD12/A7-R2
OM150PSVGD116SH	PD15/A7-R2
OM180PSVGD116SH	PD18/A7-R2
OM200PSVGD116SH	PD20/A7-R2



OLIMPO 150-180-200



Codice:		Data: 07.09.17	
Revisione:		10	