

11/2018

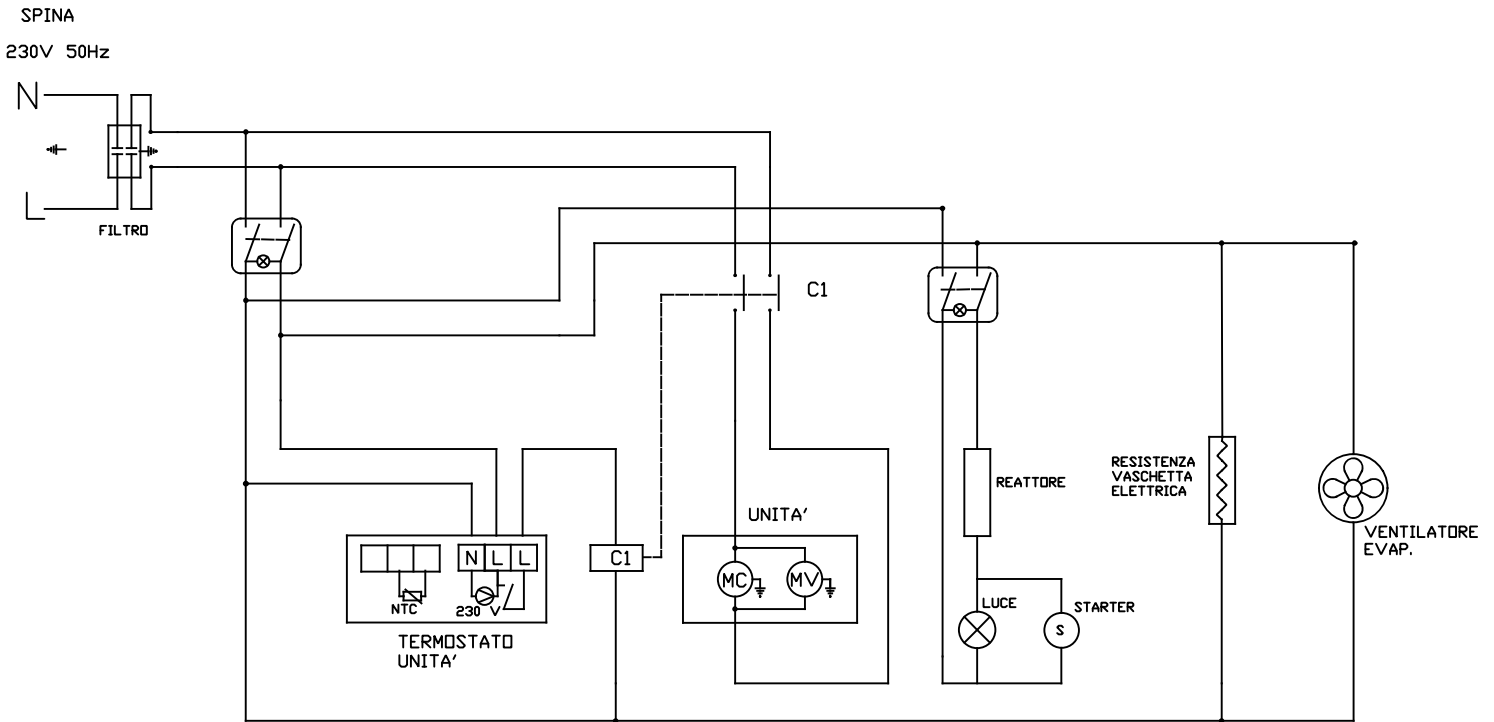
Mod: MN10B-B5/R2

Production code: MN100PSVN235HQ



Diamond
catering equipment

N.DIS.997



LEGENDA

SPINA: STECKER - PLUG - FICHE - ENCHUFE

UNITA': AGGREGAT - UNIT - GROUPE COMPRESSEUR - GRUPO COMPRESOR

TERMOSTATO UNITA': THERMOSTAT AGGREGAT - THERMOSTAT UNIT - THERMOSTAT GROUPE COMPRESSEUR - TERMOSTATO GRUPO COMPRESOR

TERMOSTATO VASC.ELETR.: REGLER DER VERDUNSTUNGSSCHALE - CONTROLLER OF THE EVAPORATING PAN - THERMOSTAT DU BAC D'EVAPORATION - TERMOSTATO CUBETA DE EVAPORACION

LUCE: BELEUCHTUNG - LIGHTING - ECLAIRAGE - ILUMINACION

VENTILATORE EVAP.: VERDAMPFER VENTILATOR - EVAPORATOR FAN - VENTILATEUR DE L'EVAPORATEUR - VENTILADOR DEL EVAPORATOR

REATTORE: REAKTOR - REACTOR - REACTEUR - REACTOR

FILTRD.: FILTER - FILTER - FILTRE - FILTRO

02		
01		
00	1°EMISSIONE	19/01/10
REV.	DESCRIZIONE	DATA

FIRMA APPR.	MOD.	SCHEMA ELETTRICO N. 03	TOLLERANZA +/-2mm
-------------	------	------------------------	-------------------

SCHEMI ELETTRICI MANDY/ARTIC/VISION/SMALL/DANNY/SILVER