

07/2011

Mod: LD6/35XL-N

Production code: 1851020



Diamond
catering equipment



SCHEMI ELETTRICI

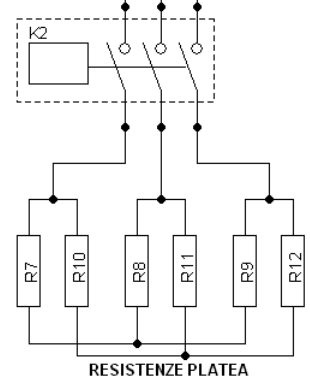
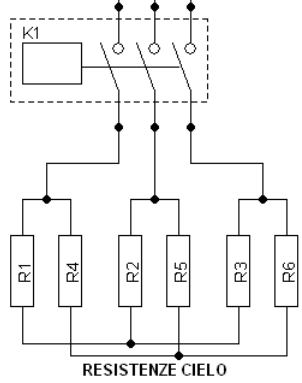
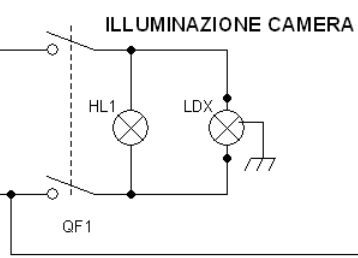
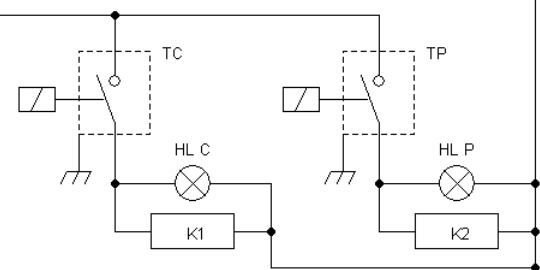
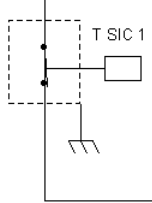
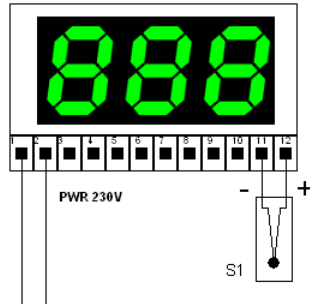
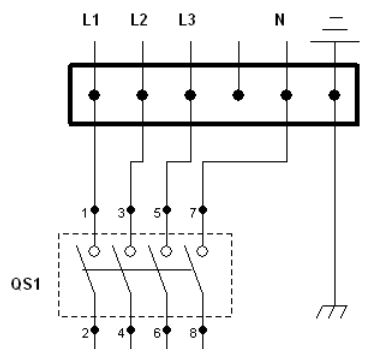
(ELECTRICAL SCHEME)

Logic Line Plus

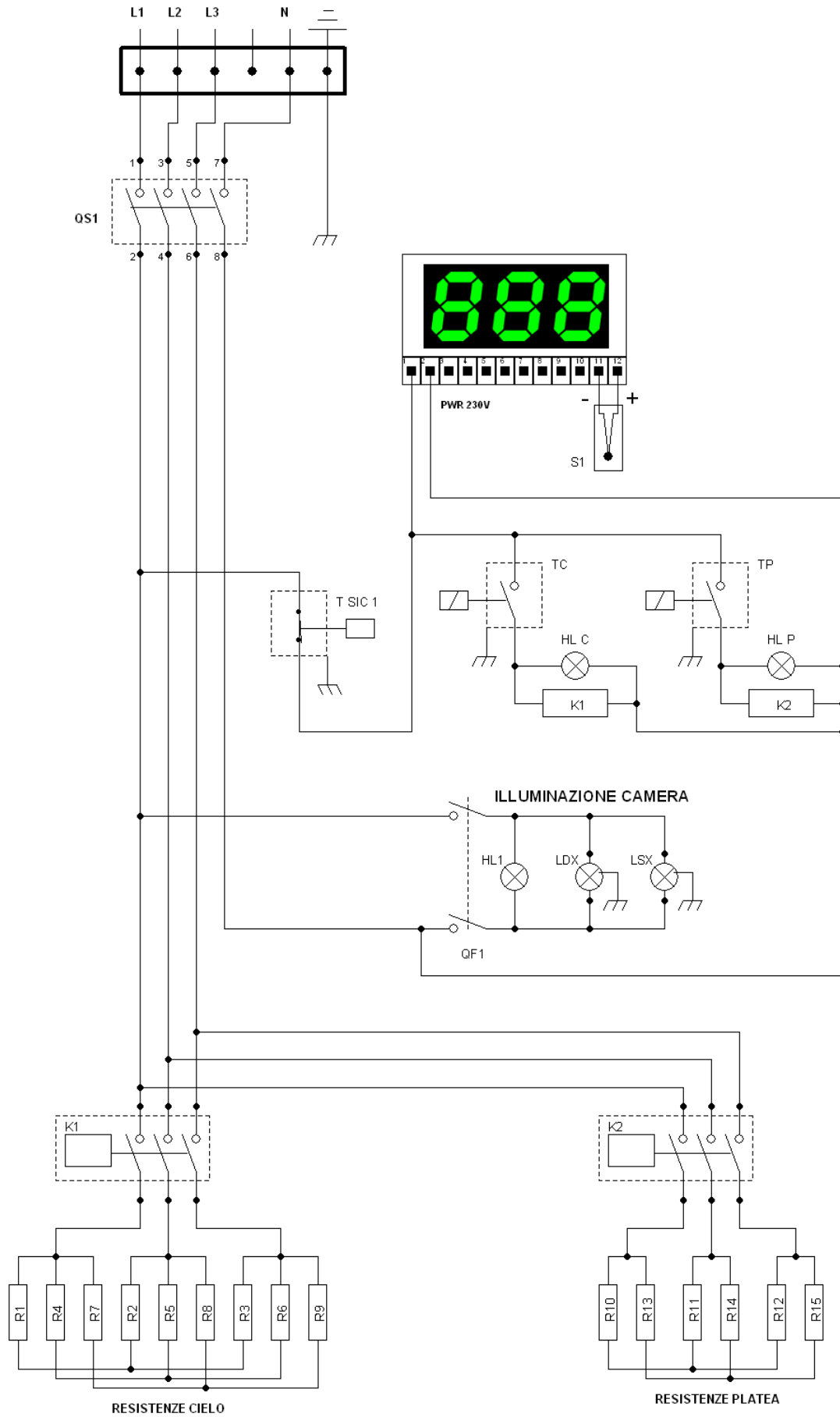
(Logic Line Plus Ovens)

FORNI MONOCAMERA
(SINGLE CHAMBER)
M4-M6-M6L-M9

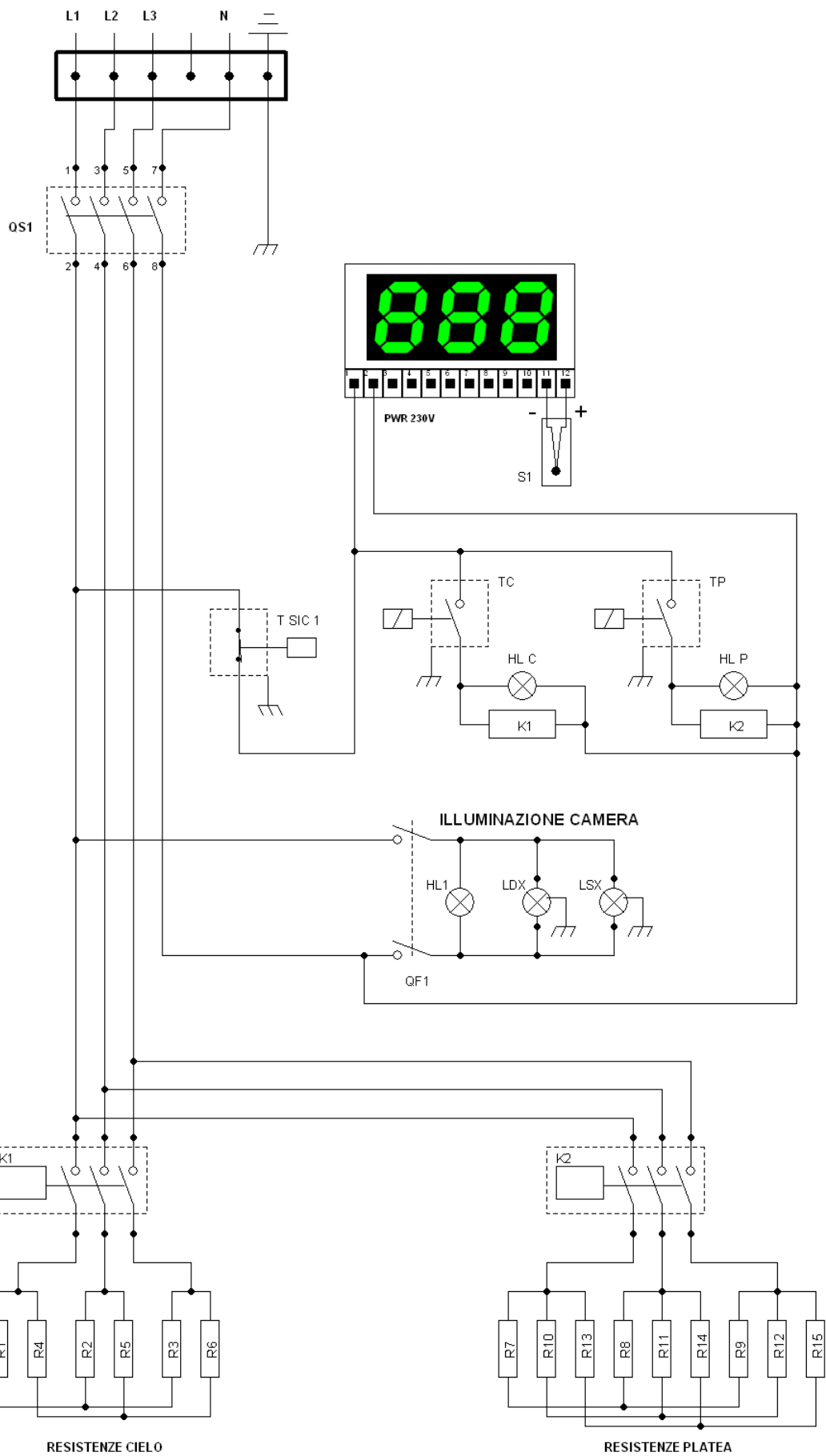
FORNI BICAMERA
(DOUBLE CHAMBER)
M8-M12-M12L-M18



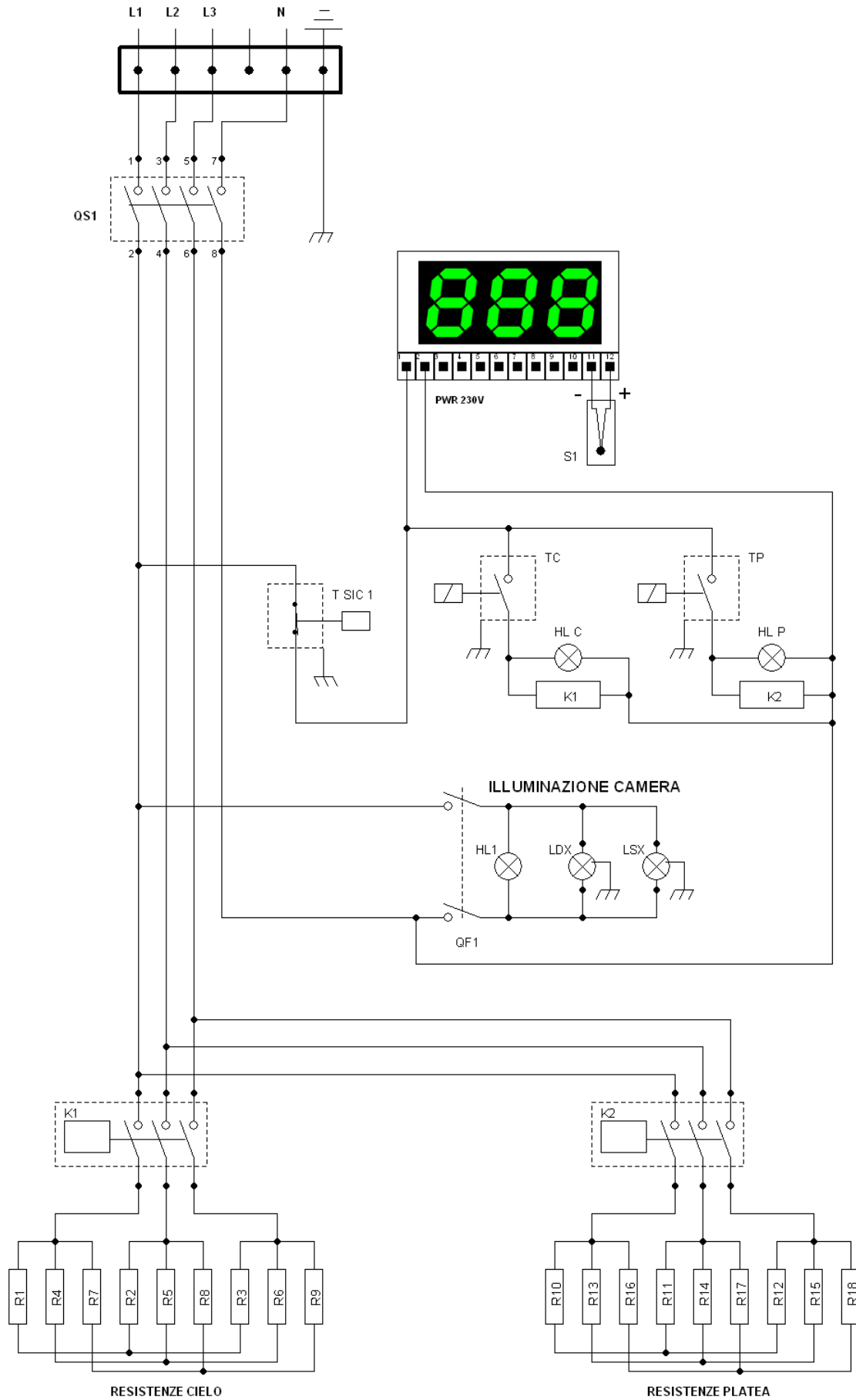
Title Logic Line Plus M4_400V Trifase		
Author Aulo Lenardon Pizzagroup S.r.L.		
File IFASE\LOGIC LINE PLUS M4_400V Trifase.dsn	Document	
Revision	Date 15/03/2011	Sheets 1 of 1



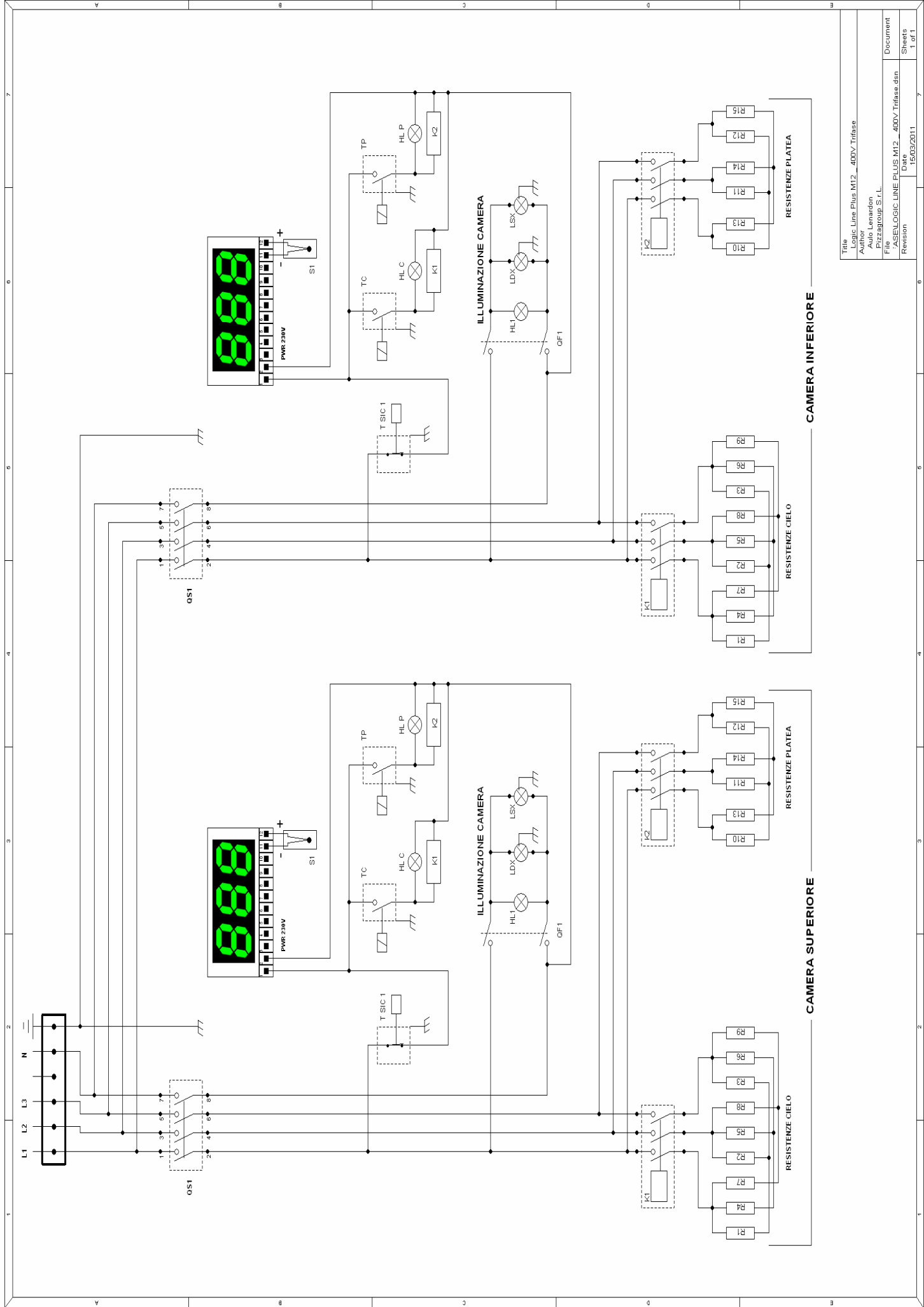
Title		
Logic Line Plus M6 400V Trifase		
Author		
Auto Lenardon		
Pizzagroup S.r.L.		
File	Document	
IFASE\LOGIC LINE PLUS M6 400V Trifase.dsn		
Revision	Date	Sheets
	15/03/2011	1 of 1



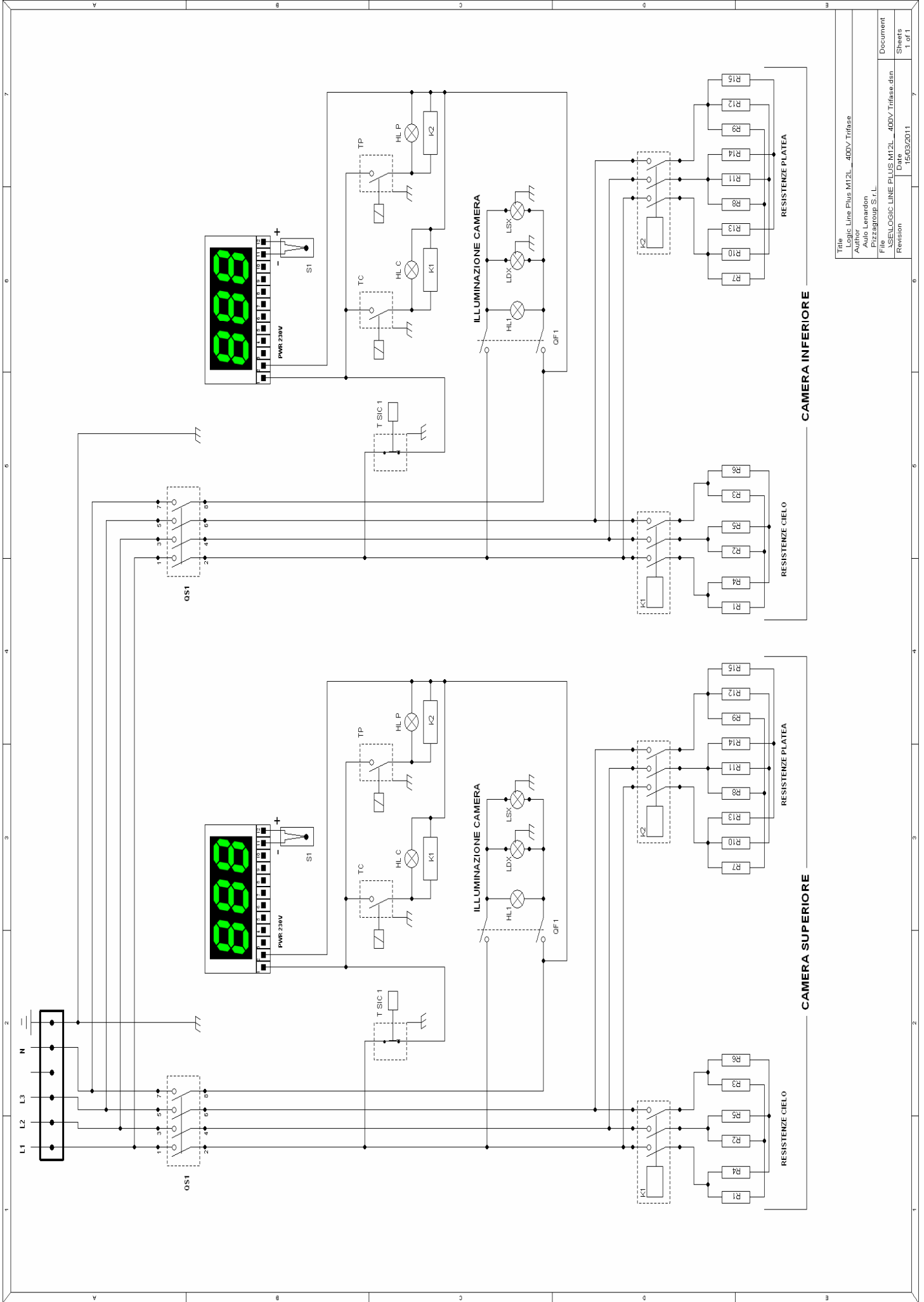
Title		
Logic Line Plus M6L _ 400V Trifase		
Author		
Aulo Lenardon Pizzagroup S.r.L.		
File	Document	
:ASELOGIC LINE PLUS M6L _ 400V Trifase.dsn		
Revision	Date	Sheets
	15/03/2011	1 of 1



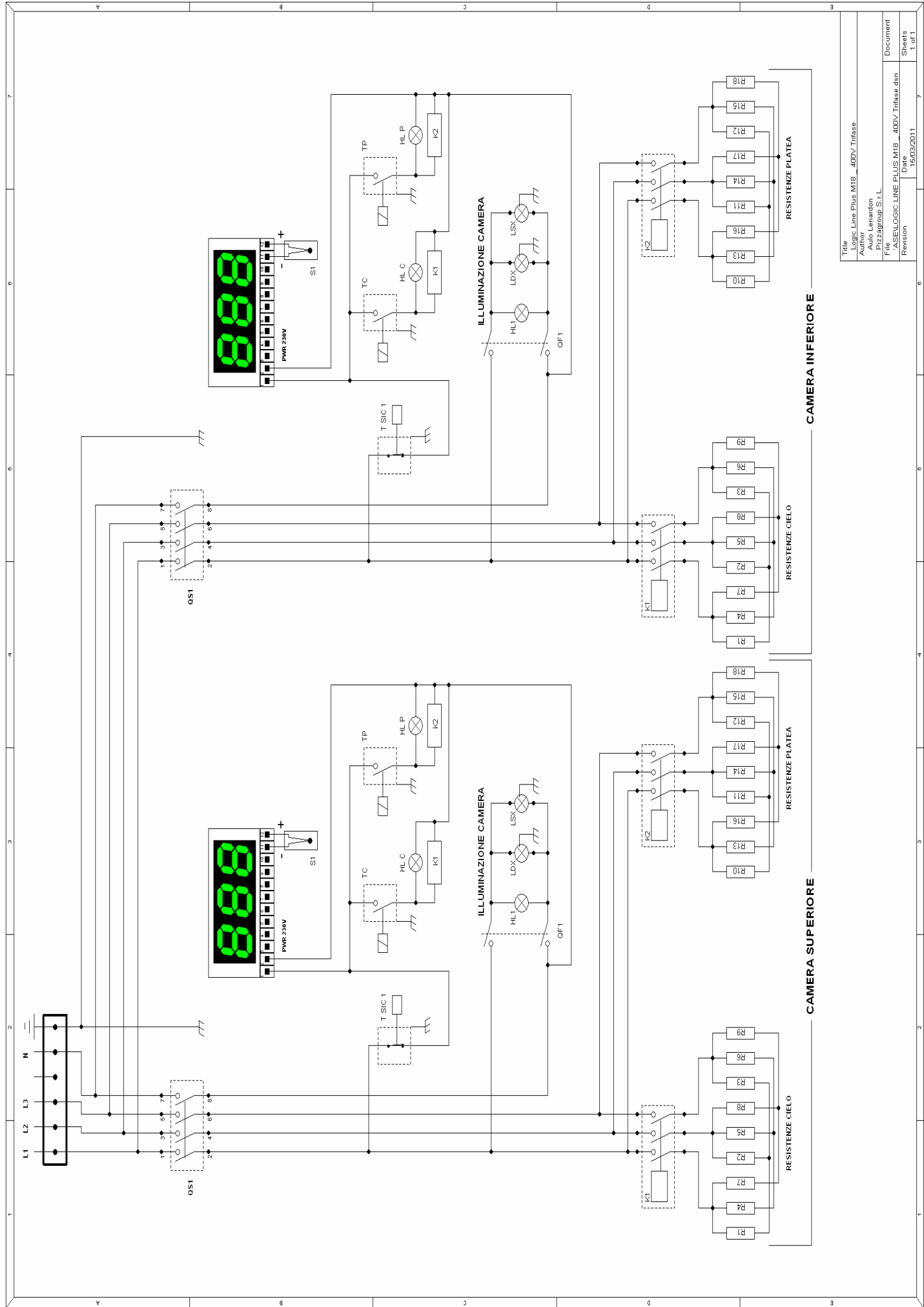
Title		
Logic Line Plus M9_400V Trifase		
Author		
Auto Lenardon		
Pizzagroup S.r.L.		
File	Document	
IFASE\LOGIC LINE PLUS M9_400V Trifase.dsn		
Revision	Date	Sheets
	15/03/2011	1 of 1



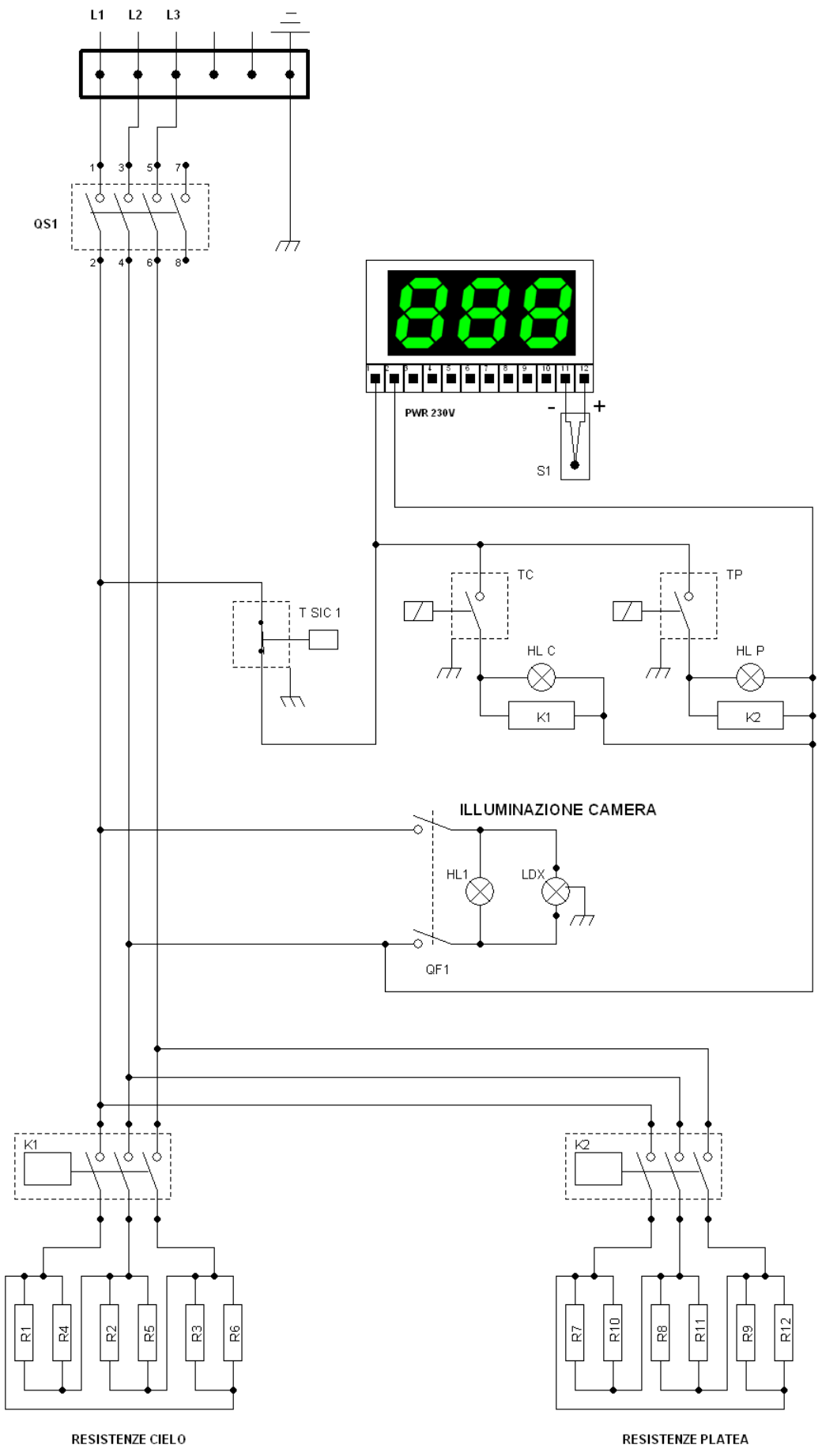
Title	AutoLogic Line Plus M12 - 400V Trifase
Author	AutoLogic
File	AutoLogic Line Plus M12 - 400V Trifase.dsn
Revision	01/03/2011
Document	1/01
Sheets	1/01



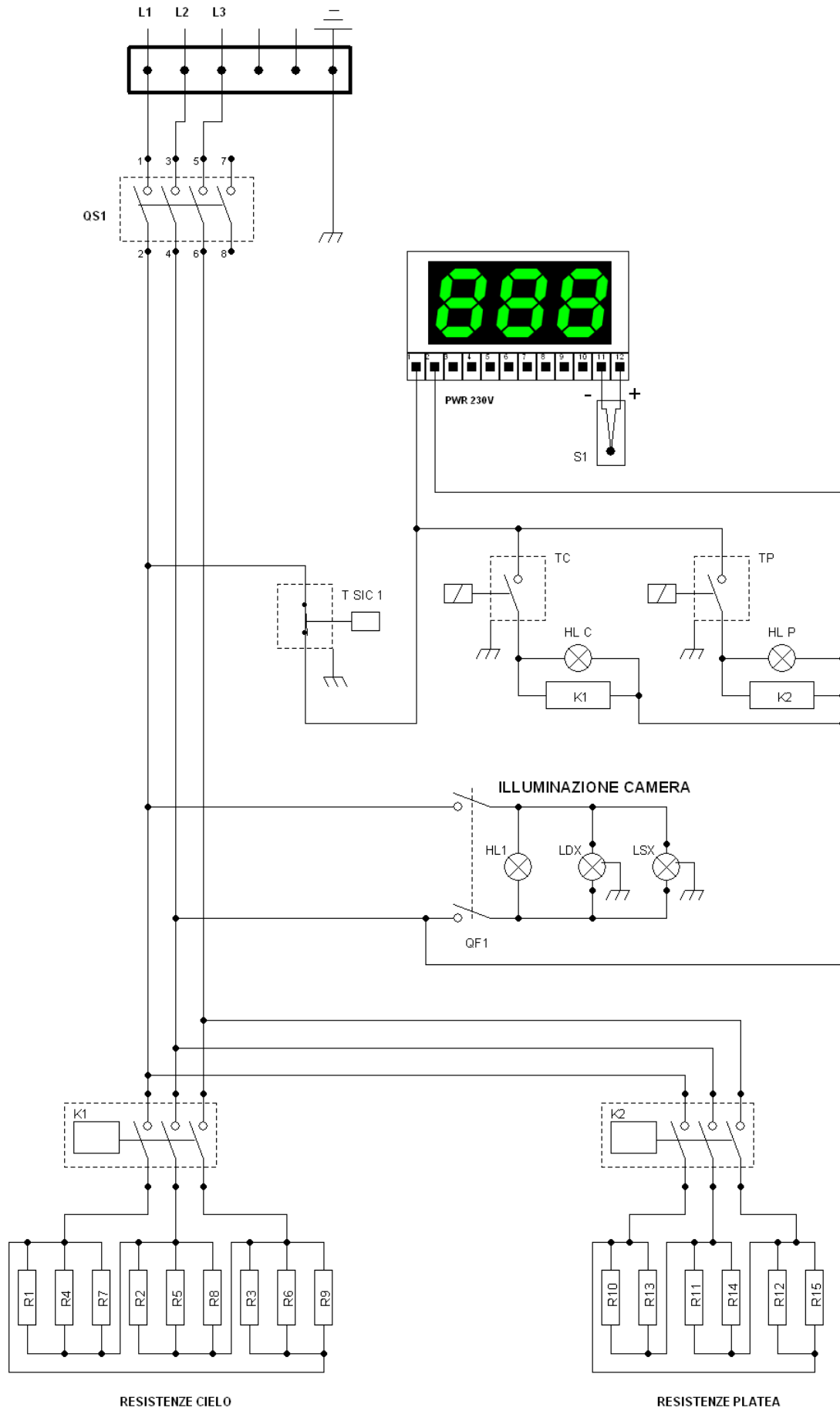
Title	Logic Line Plus M12L_400V_Trifase
Author	Auto Leonardo
File	zzzgroup_S.T.L.
Document	ASELOGIC LINE PLUS M12L_400V_Trifase.dsn
Revision	
Date	15/03/2011
Sheets	1 of 1



Title	Line Plus M18 - 400V Trifase
Author	Auto Leonardo Pizzagroup S.r.L.
File	ASELOGIC LINE PLUS M18 - 400V Trifase.dsn
Revision	Date: 19/03/2011
Document	Sheets
	1 of 1



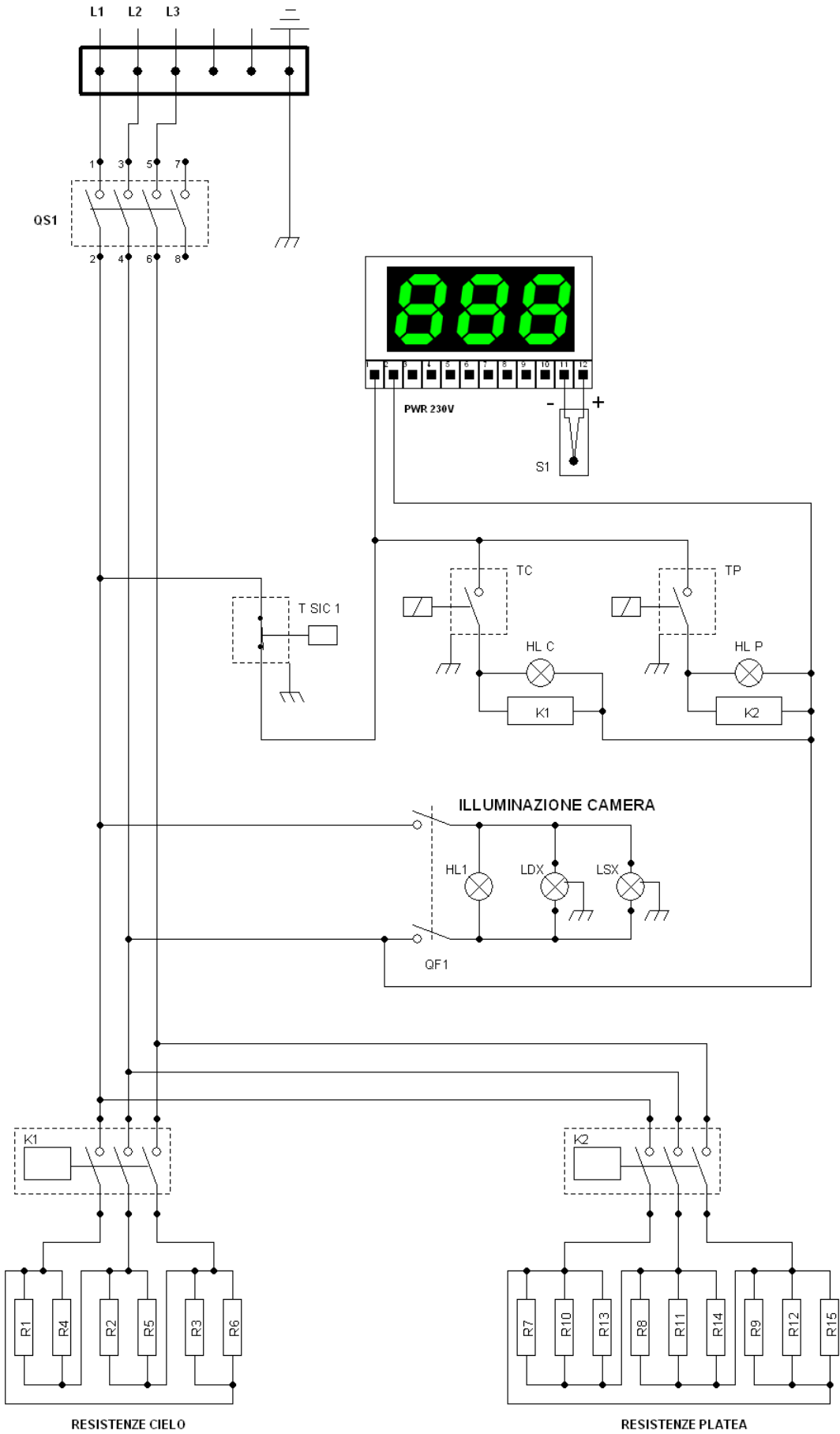
Title Logic Line Plus M4 _ 230V Trifase		
Author Aulo Lenardon Pizzagroup S.r.L.		
File IFASE\LOGIC LINE PLUS M4 _ 230V Trifase.dsn	Document	
Revision	Date 15/03/2011	Sheets 1 of 1



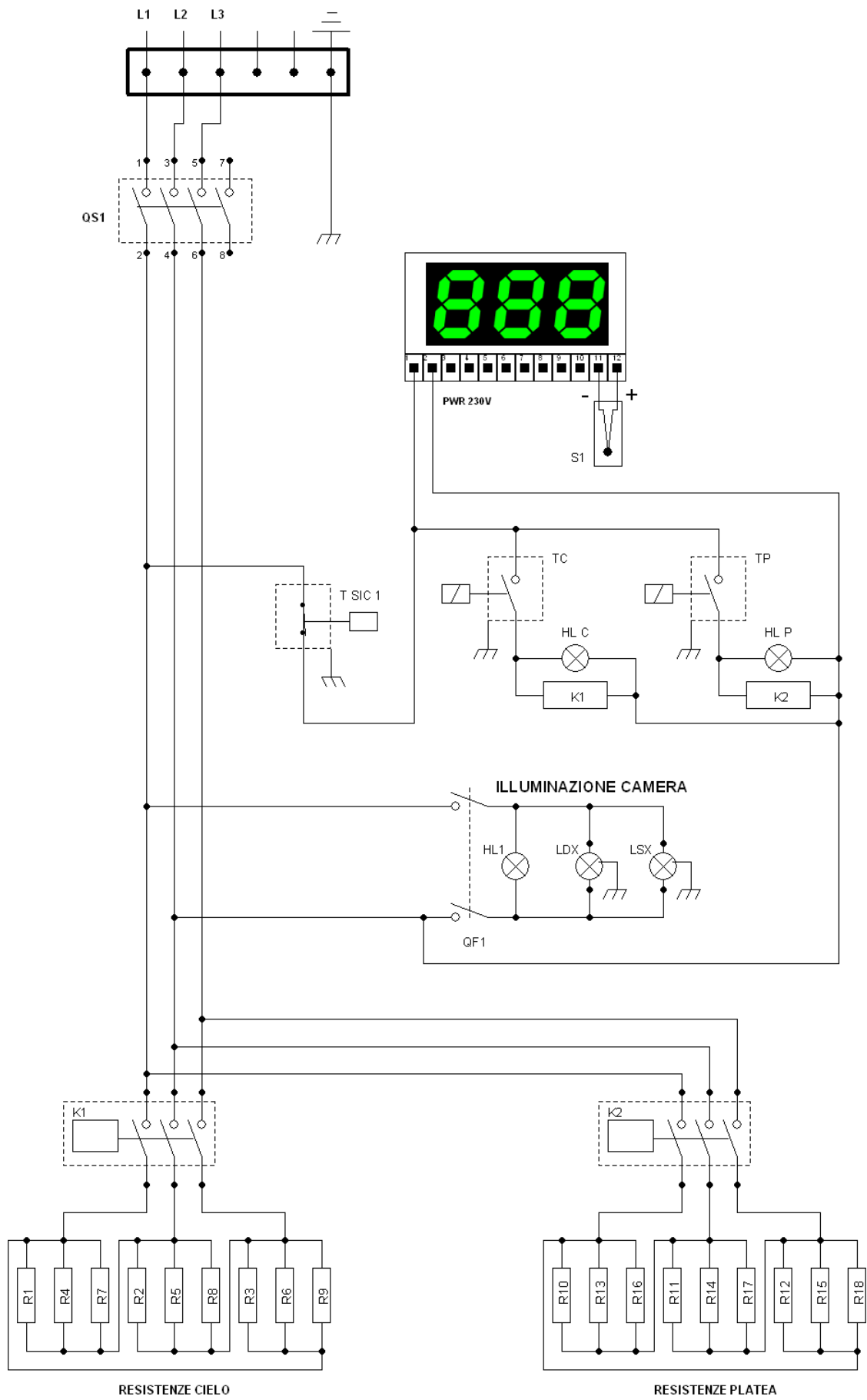
RESISTENZE CIELO

RESISTENZE PLATEA

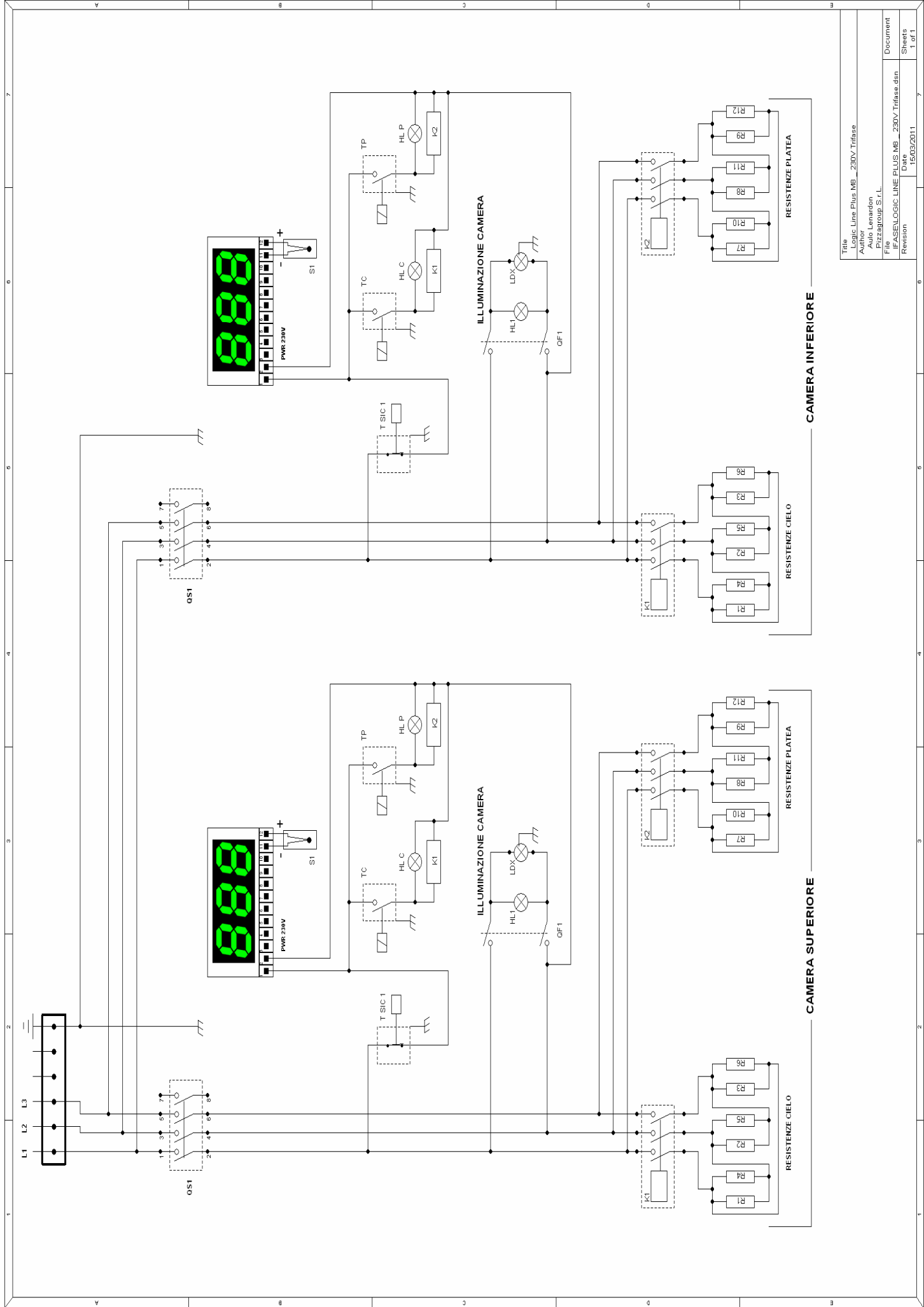
Title Logic Line Plus M6 _ 230V Trifase		
Author Aulo Lenardon Pizzagroup S.r.L.		
File IFASE\LOGIC LINE PLUS M6 _ 230V Trifase.dsn	Document	
Revision	Date 15/03/2011	Sheets 1 of 1



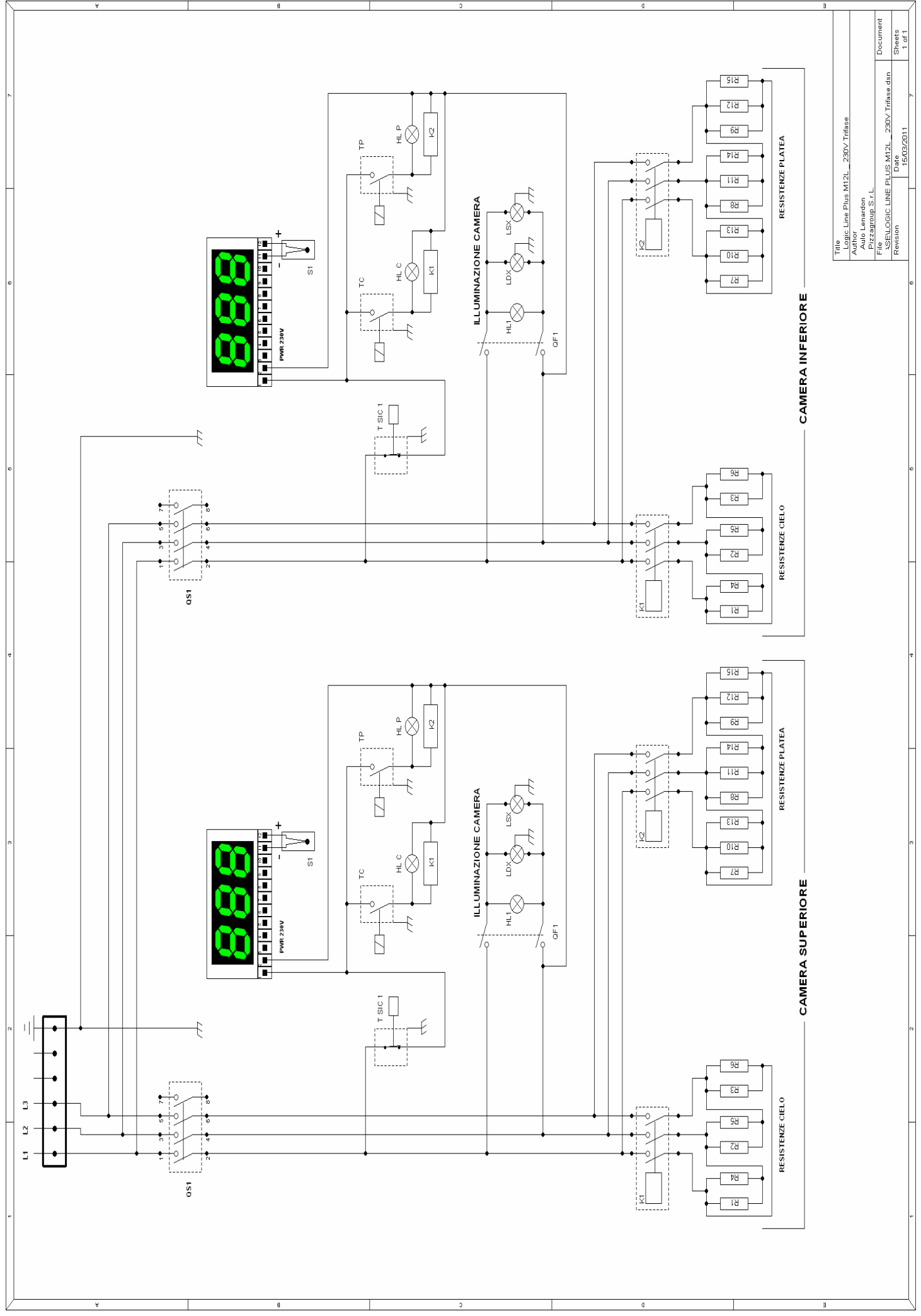
Title Logic Line Plus M6L _ 230V Trifase		
Author Aulo Lenardon Pizzagroup S.r.L.		
File :\ASE\LOGIC LINE PLUS M6L _ 230V Trifase.dsn	Document	
Revision	Date 15/03/2011	Sheets 1 of 1



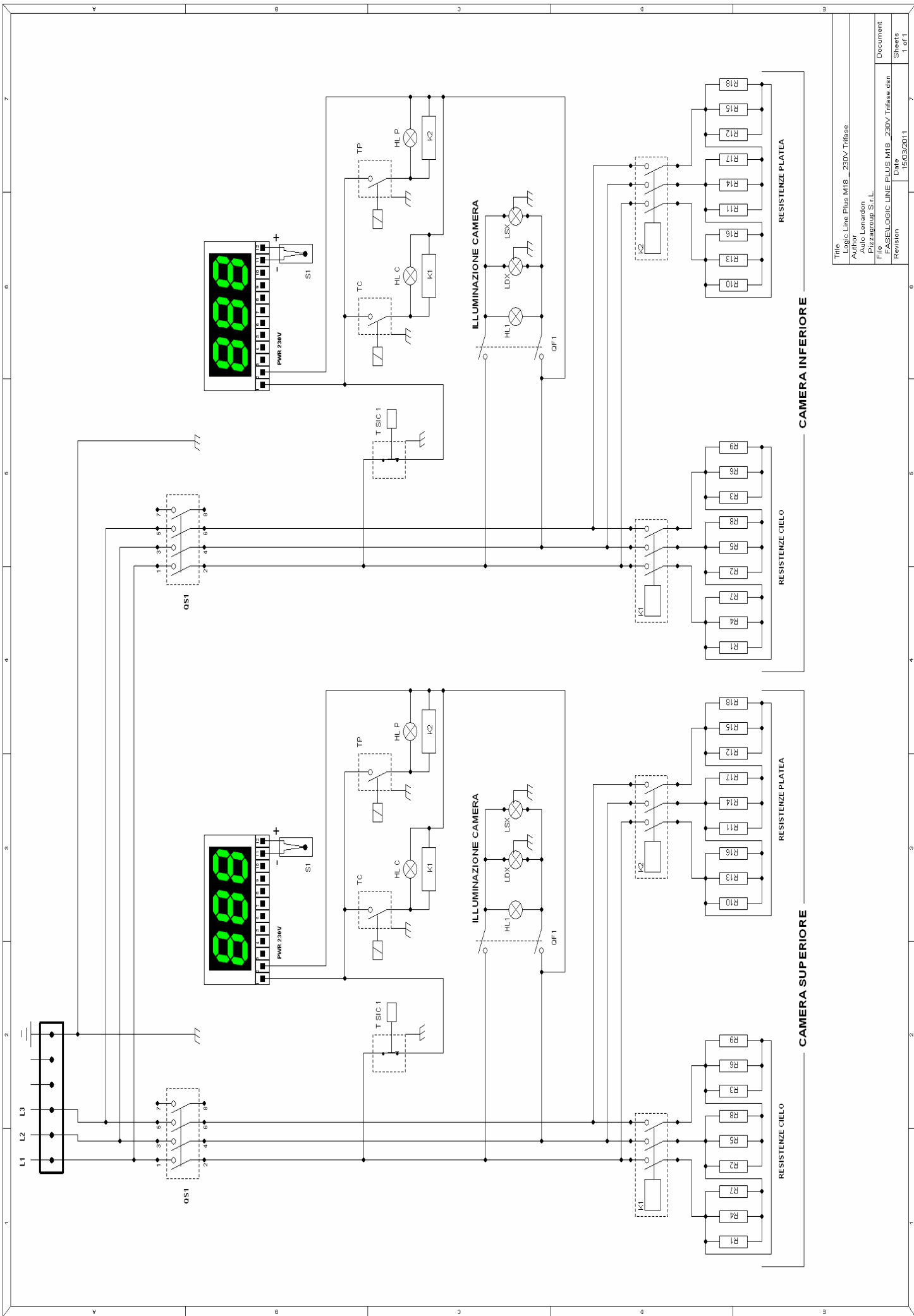
Title		
Logic Line Plus M9_230V Trifase		
Author		
Auto Lenardon Pizzagroup S.r.L.		
File		Document
IFASE\LOGIC LINE PLUS M9_230V Trifase.dsn		Sheets
Revision	Date	1 of 1
	15/03/2011	



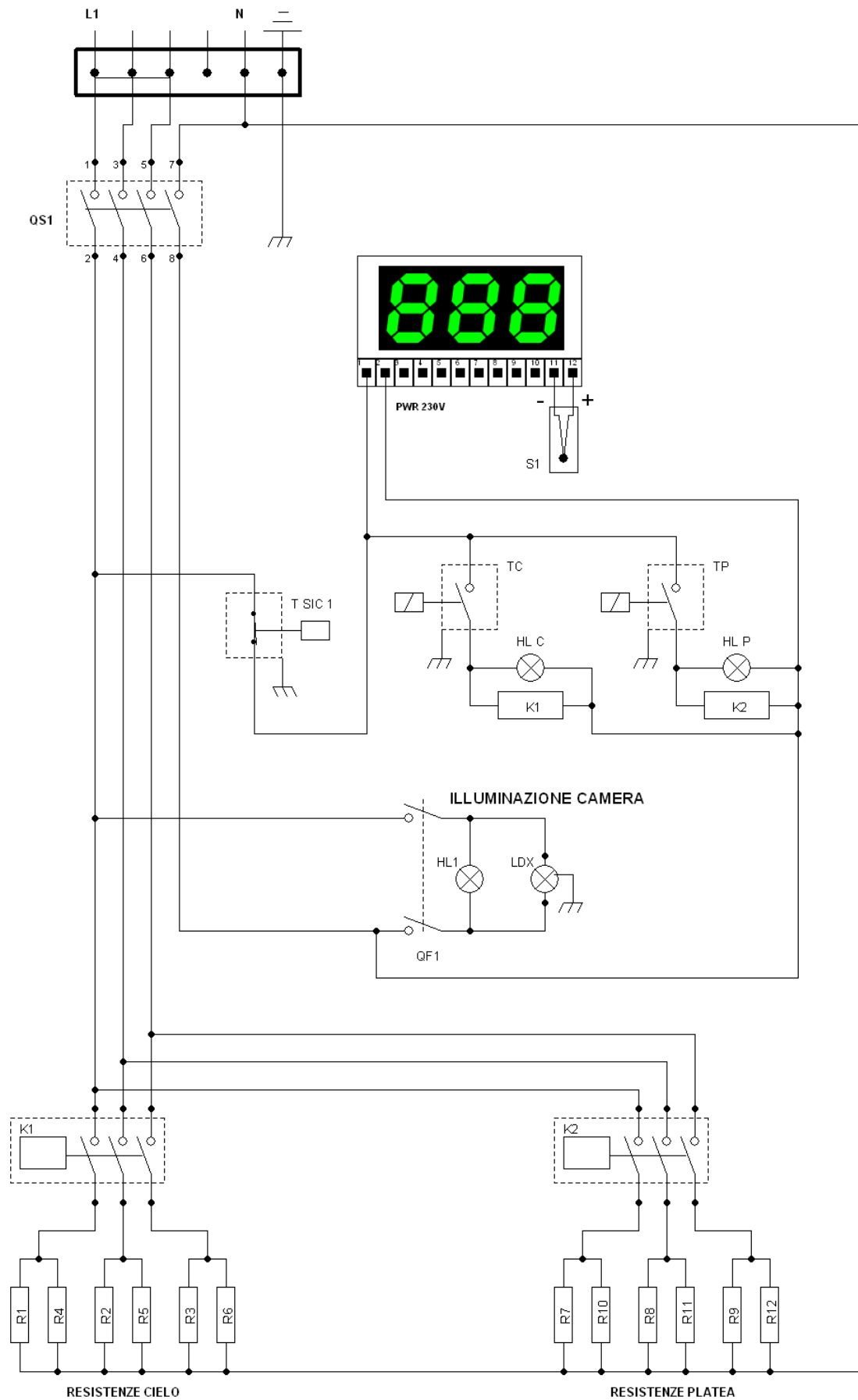
Title	Line Plus MB - 230V Trifase
Author	Auto Lenardon
File	PIZZAGROUP S.r.L.
Revision	01/09/2011
Document	IFASEVLOGIC LINE PLUS MB - 230V Trifase.dsn
Sheets	1 of 1



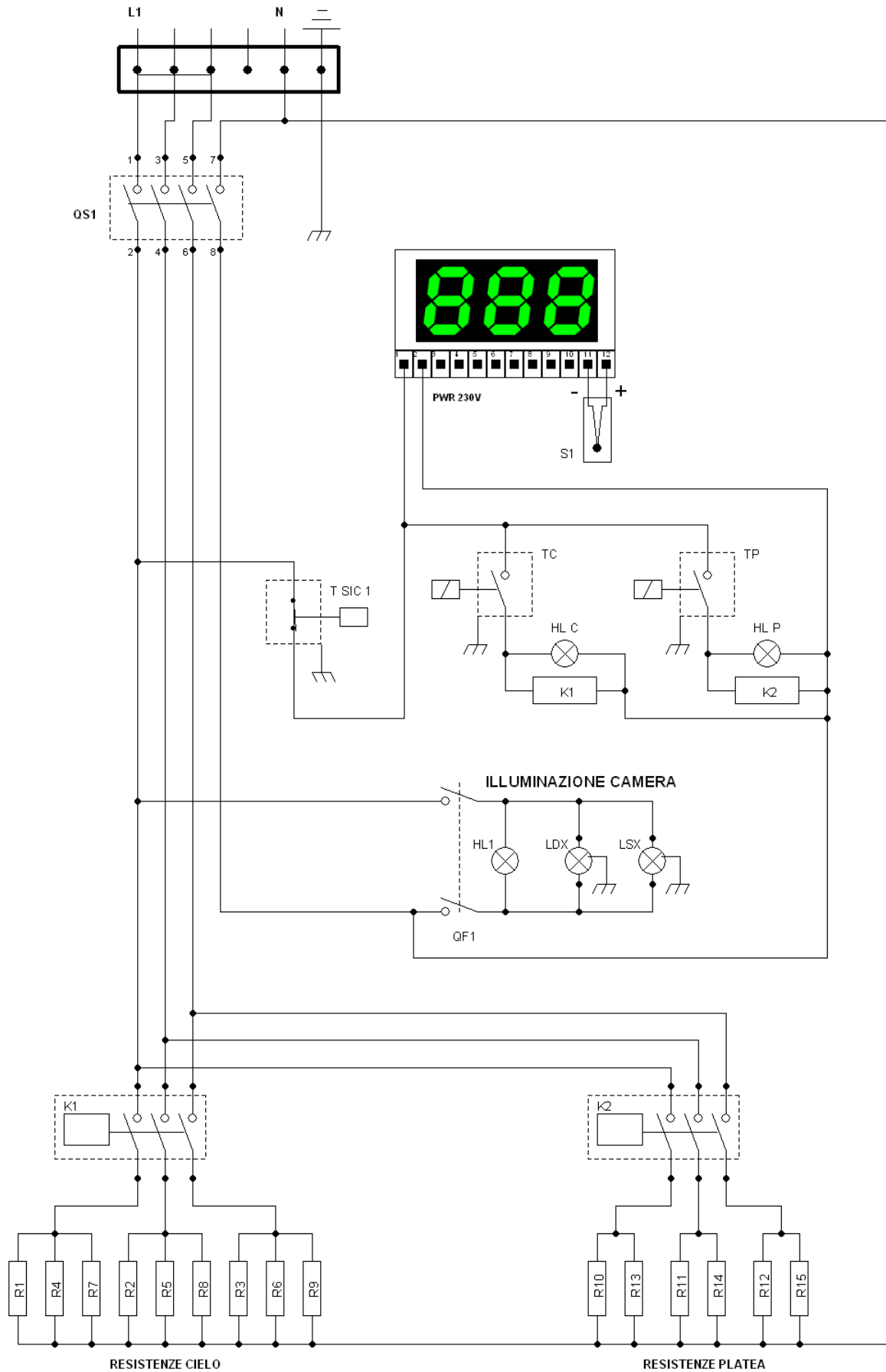
Title	Line Plus M12L_230V_Trifase
Author	Auto Leonardo
File	Pizzagroup S.r.l.
Document	XSELOGIC LINE PLUS M12L_230V_Trifase.dwg
Sheet's	1 of 1
Revision	15/03/2011



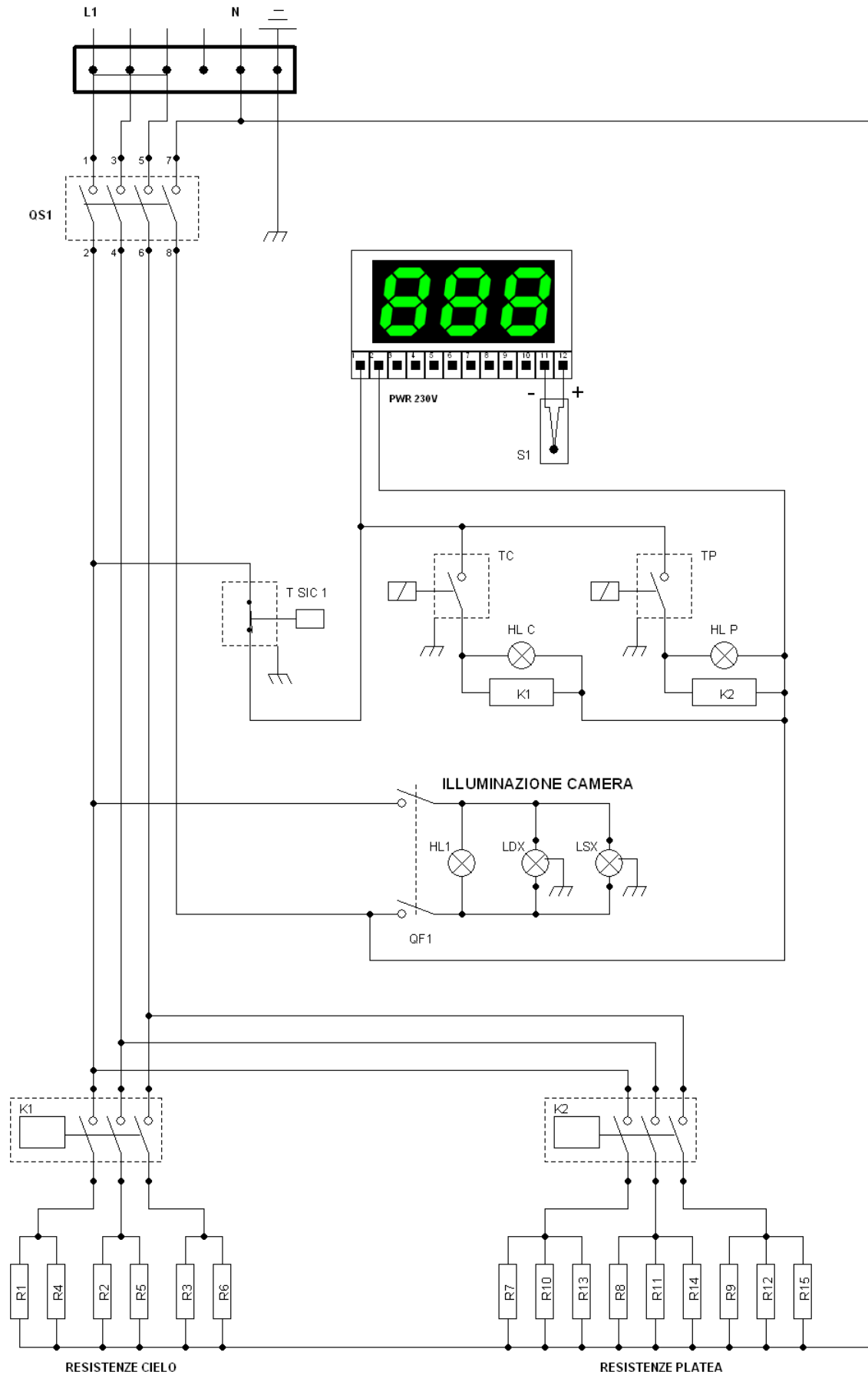
Title	Logic Line Plus M1B - 230V Trifase
Author	Aulo Lenardon
File	FASELOGIC LINE PLUS M1B - 230V Trifase.dgn
Revision	15/03/2011
Date	
Revision	
Document	
Sheets	1 of 1



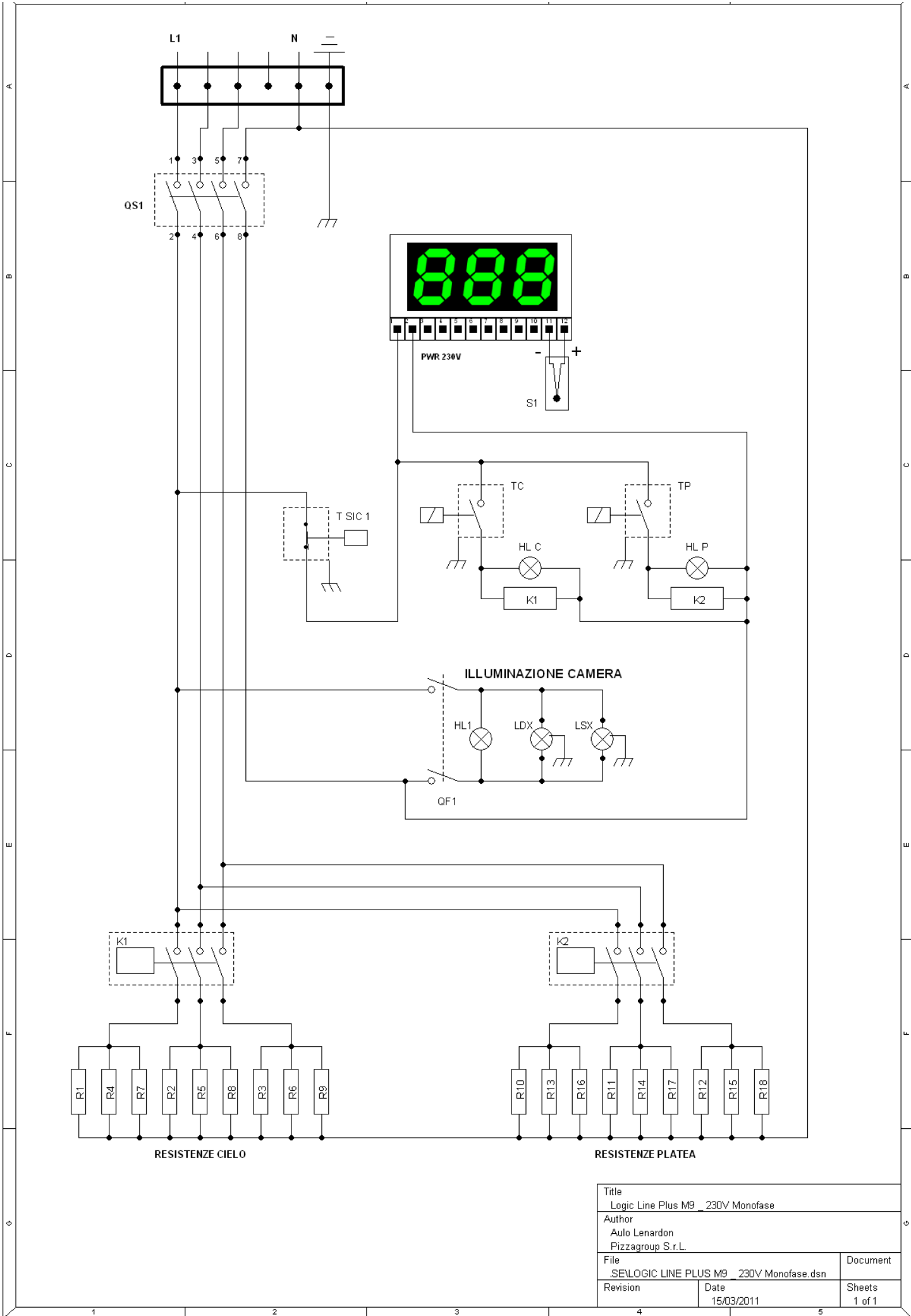
Title		
Logic Line Plus M4_230V Monofase		
Author		
Auto Lenardon		
Pizzagroup S.r.L.		
File	Document	
._SE\LOGIC LINE PLUS M4_230V Monofase.dsn		
Revision	Date	Sheets
	15/03/2011	1 of 1



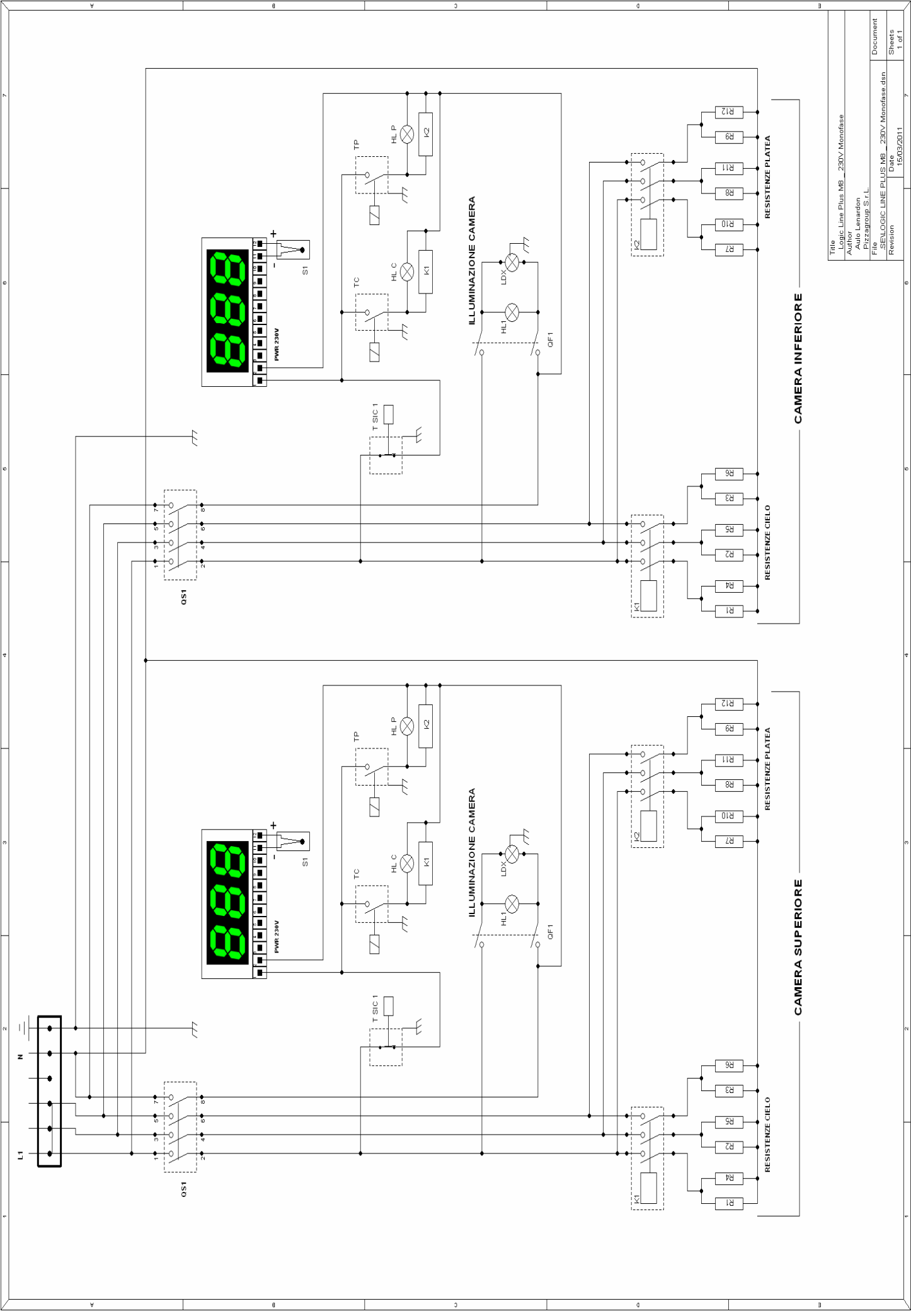
Title Logic Line Plus M6_230V Monoase		
Author Auto Lenardon Pizzagroup S.r.L.		
File _SELOGIC LINE PLUS M6_230V Monofase.dsn	Document	
Revision	Date 15/03/2011	Sheets 1 of 1



Title		
Logic Line Plus M6L_230V Monoase		
Author		
Aulo Lenardon		
Pizzagroup S.r.L.		
File		Document
J:\FASE\LOGIC LINE PLUS M6L_230V\Monofa.dsn		
Revision	Date	Sheets
	15/03/2011	1 of 1



Title Logic Line Plus M9 _230V Monofase		
Author Auto Lenardon Pizzagroup S.r.L.		
File _SE\LOGIC LINE PLUS M9 _230V Monofase.dsn	Document	
Revision	Date 15/03/2011	Sheets 1 of 1



Title	Logic Line Plus MB - 230V Monofase
Author	Aulo Lenardon
File	zzzagroup S.r.l.
Document	SENOLOGIC LINE PLUS MB - 230V Monofase dan
Revision	Date 15/03/2011
Sheets	1 of 1

Legenda schema elettrico	
QS1-QS2	INTERRUTTORE GENERALE
TC1-TC2	TERMOSTATO RESISTENZE CIELO
TP1-TP2	TERMOSTATO RESISTENZE PLATEA
QF1	INTERRUTTORE LUCE CAMERA
LDX - LSX	LUCE ILLUMINAZIONE CAMERA DX e SX
HL1-HL2	SPIA INTERRUTTORE LUCE CAMERA
HLC1-HLC2	SPIA ATTIVAZIONE RESISTENZE CIELO
HLP1-HLP2	SPIA ATTIVAZIONE RESISTENZE PLATEA
R1...R18	RESISTENZE
TSIC1-TSIC2	TERMOSTATO DI SICUREZZA
K1-K2-K3-K4	TELERUTTORE

Electrical scheme legend	
QS1-QS2	MAIN SWITCH
TC1-TC2	TOP HEATING ELEMENTS THERMOSTAT
TP1-TP2	BOTTOM HEATING ELEMENTS THERMOSTAT
QF1-QF2	COOKING CHAMBER LIGHT SWITCH
LDX - LSX	COOKING CHAMBER LIGHT DX and SX
HL1-HL2	COOKING CHAMBER LIGHT SWITCH LED
HLC1-HLC2	TOP HEATING ELEMENTS FUNCTION PILOT LIGHT
HLP1-HLP2	BOTTOM HEATING ELEMENTS FUNCTION PILOT LIGHT
R1...R18	HEATING ELEMENTS
TSIC1-TSIC2	SAFETY THERMOSTAT
K1-K2-K3-K4	CONTACTOR