

03/2014

# Mod: LD4/35-N

Production code: P08LG06001



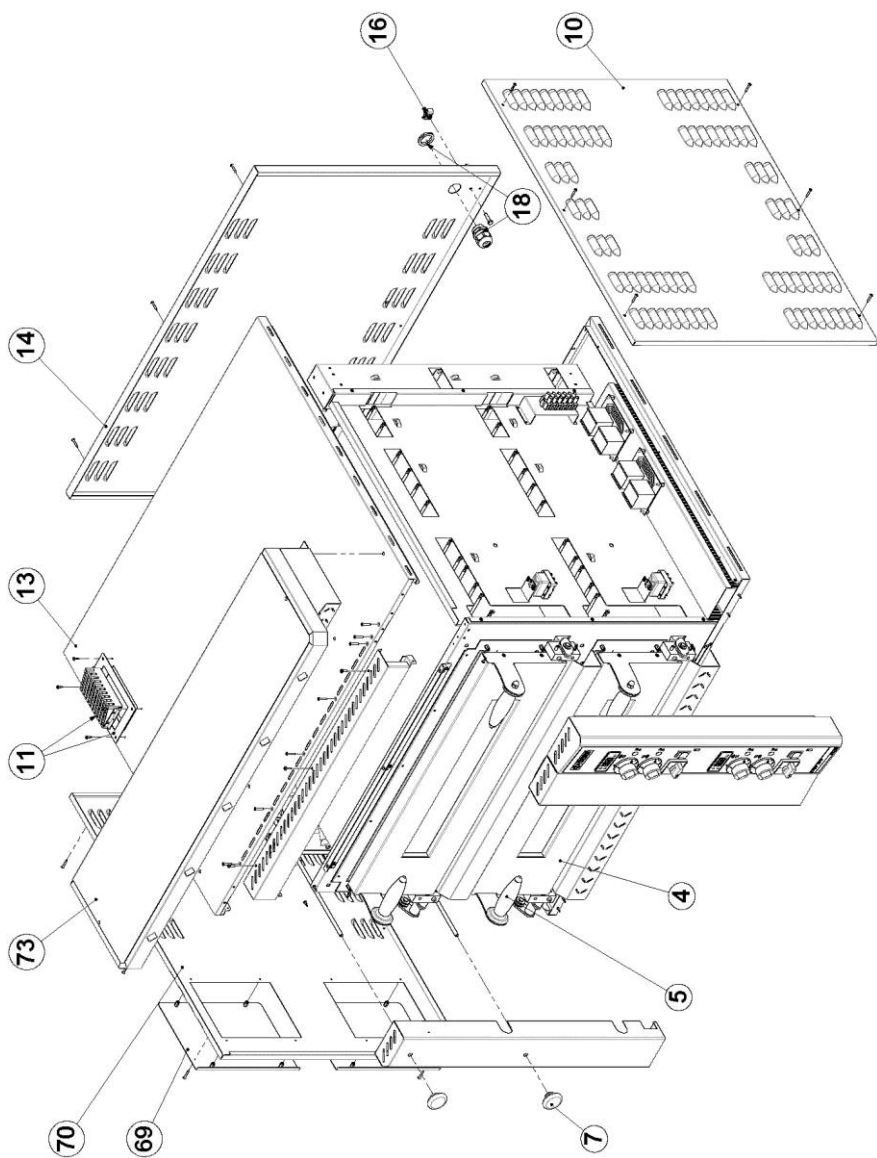
**Diamond**  
catering equipment

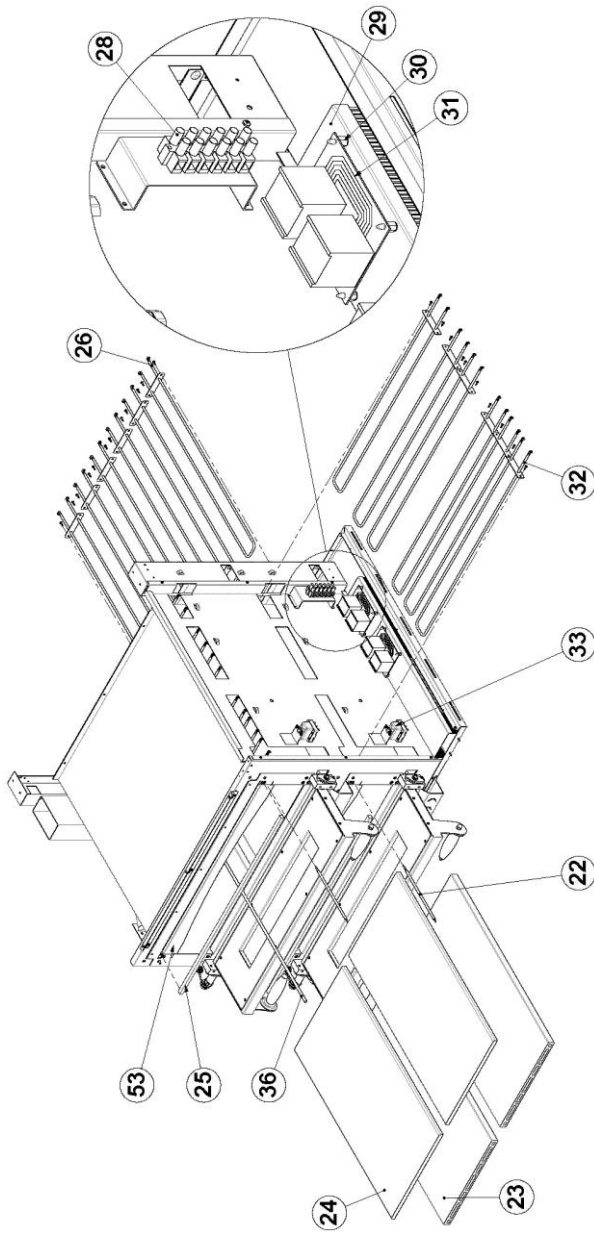


## LOGIC LINE PLUS OVENS

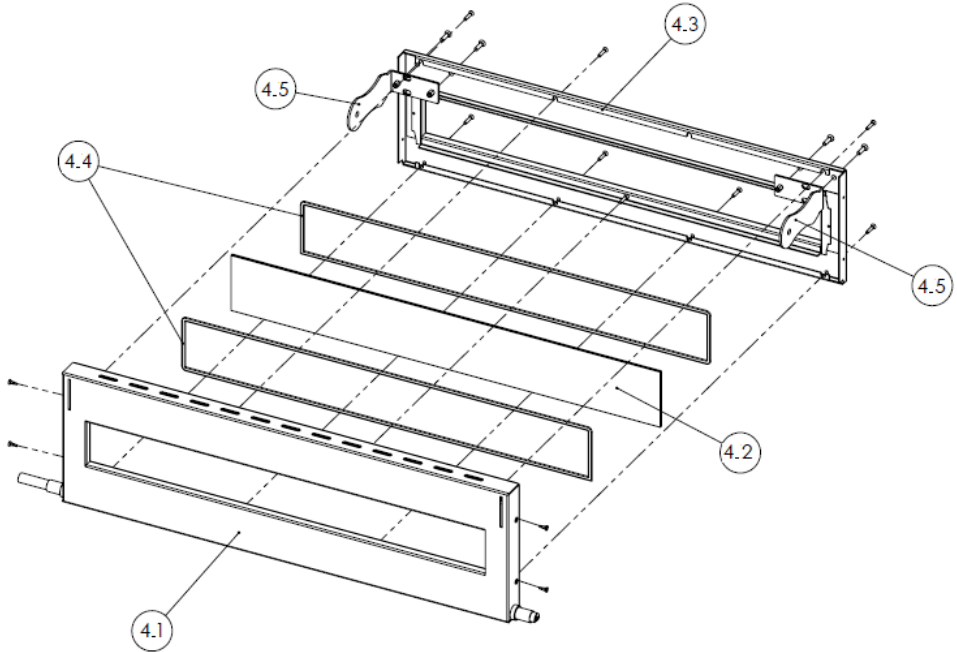
÷ LD4/35-N ÷

EXPLODED VIEW and SPARE PARTS LIST





## Detail Position 4



<b>S35FN64025 - LOGIC PLUS 4-6-8-12 (2013) OVEN COMPLETE DOOR</b>			
<b>Pos.</b>	<b>Code</b>	<b>Description</b>	<b>Q.ty</b>
<b>4.1</b>	S66PT64011	OVEN DOOR ASSEMBLY 4-6-8-12 (2013)	1
<b>4.2</b>	A00PT57001	GLASS CERAMIC SHEET Meas. 705X94X4 mm	1
<b>4.3</b>	S66CG64011	OVEN DOOR-FRAME ASSEMBLY 4-6-8-12	1
<b>4.4</b>	A94NC00006	TAPE IN WHITE GLASS FIBRE WITH ADHESIVE SIDE 6X2 mm	2
<b>4.5</b>	S42MG64009	OVEN HANDLE SUPPORT PLATE (2013)	2

**S35FN64030 - LOGIC PLUS 6L÷9÷12L÷18 (2013) COMPLETE OVEN DOOR**

<b>Pos.</b>	<b>Code</b>	<b>Description</b>	<b>Q.ty</b>
<b>4.1</b>	S66PT64012	OVEN DOOR ASSEMBLY 6L-9-12L-18 (2013)	1
<b>4.2</b>	A00PT64001	GLASS CERAMIC SHEET Meas. 865X94X4 mm	1
<b>4.3</b>	S66CG64012	OVEN DOOR-FRAME ASSEMBLY 6L÷9÷12L÷18 (2013)	1
<b>4.4</b>	A94NC00006	TAPE IN WHITE GLASS FIBRE WITH ADHESIVE SIDE 6X2 mm	2
<b>4.5</b>	S42MG64009	OVEN HANDLE SUPPORT PLATE (2013)	2

## Model LD4/35-N (M4)

Pos.	Code	Description
4	S35FN64025	COMPLETE OVEN DOOR 4÷6÷8÷12
5	S66MG58001	LOGIC PLUS LINE OVENS DOOR HANDLE ASSEMBLY
7	S73CF58001	ABS GREY FLUE CLOSING KNOB
10	S40LT58003	OVEN SIDE PANEL LOGIC PLUS LINE 4-6L
11	S41CU58001 S66CF63001	PLAQUE FOR FLUE COVER FLUE COVER ASSEMBLY
13	S32FN20001	LOGIC PLUS LINE 4÷8 UPPER LID
14	S40PS58001	REAR PANEL LOGIC LINE PLUS 4-6
18	A86EL47003 A86EL46004	NUT FOR CABLE GLAND OBO 106 PG 11 CABLE GLAND OBO 106 PG 21
16	A86EL48001	EQUIPOTENTIAL ATTACHMENT
17	A87IL72005	TRANSPARENT LED BULB 380 V, CABLE LENGTH 200MM ENTRY (INCLUDING HOOD)
19	S73FN55007	AP10 GREY LOGIC OVEN THERMOSTAT KNOB
21	A88TC84001	EVCO EVK100J7 DIGITAL THERMOMETER
22	A88SO79004	PROBE TCJB154V8.5 IND DIAM.4X150MM L=0.85MT
23	A95FA65003	PERFORATED BLOCK 700X350X22
24	A95OO65008	BLOCK 350X700X14
25	A94NC00004	CORD 15X12
26	A87RZ65054	RESISTANCE 400 W 230 V
28	A87CX62006	MAMMUT ASSEMBLY
30	A86PQ42002	PLASTIC SPACER CF06H4080-1810
31	A88SE81001	"SIPREM" REMOTE SWITCHES BOARD
32	A87RZ65006	RESISTANCE 700 W 230 V
33	A88TX77004	UNIPOLAR SAFETY THERMOSTAT
34	A87AZ69011	GIOVENZANA 48X48 GREY/BLACK INT.MASK 32A
35	A88TX77005	EGO UNIPOLAR THERMOSTAT FOR 470° OVENS BULB 163 MM
38	A86ME26007	WASHER Ø 6.4 DIN 9021
39	A86ME25013	SELF-TAPPING NUT M6 DIN 980 V
40	A86ME24015	HEX HEAD SCREW DIN 933 M6X20
41	S42ML64001	SPRING FIXING SPLINE LOGIC PLUS LINE
42	S74ML63002	SPRING ROTATION WHEEL RELEASE 2011
43	S69RT63001	WHEEL ROTATION PIN RELEASE 2011
44	S74PT64001	LOGIC PLUS LINE DOOR SPLINES SPACER
45	S42FE58002	LOGIC PLUS LINE DOOR STOP SPLINE
47	A86ME24038	COUNTERSUNK HEX HEAD SCREW M6x55
48	S49PT64001	DOOR FIXING BLOCK
	S64RT58001	LOGIC DOOR ROTATION BUSH
	A86ME31001	SHOT PIN Ø 3x16

50	A86ME25002	HEXAGONAL NUT DIN 934 M6
52	A86ME30012	SPRING
53	S52CO64003	CORD SUPPORT 4-8-6-12
54	A87AZ69001	LUMINOUS BI-POLAR SWITCH 0-1 CV2
56	A93OL65034	LOGIC PLUS LINE 175MY 389X100 SINGLE CHAMBER POLYCARB. LABELLING DEV.
60	A87IL74003	BULB GLASS BJB 77.360.002,00 "2000" ROUND WITH METAL RING
61	A94GU00003	BRAIDED GASKET FOR ROUND BULB GLASS BJB 77.360.002.00 "2000"
62	A94GU65001	BULB-HOLDER GASKET IN SUPPER WOOL
63	A94GU00002	ROUND GASKET FOR CLIP
64	S74PD64001	OVENS BULB GLASS FIXING CLIP
65	A87IL72010	BULB 40W 220/240V E14 500° 45X75 MM
66	A87IL73006	BULB-HOLDER VOSSLOH SCHWABE E14 TYPE 51211
67	S30PD64005	ANGULAR BULB-HOLDER PYRALIS-SMALL BULB-4-6-6L-9
68	S52PD64003	INCLINED BULB-HOLDER
69	S40LT64001	ASSISTANCE BULB PROTECTION SIDE PANEL
70	S40IN64003	LOGIC LINE PLUS 4÷6L_LH OVEN SIDE PANEL
72	A87AZ69009	GIOVENZANA SWITCH SE323004R+0010001 32A 4P
73	S66CA58001	LOGIC PLUS LINE 4-6-8-12 CAP



## HEATING ELEMENTS

MODEL	POSITION	Q.TY	CODE	POWER (W)
LOGIC LINE PLUS 4 LD4/35-N	32	6	A87RZ65006	700
	26	6	A87RZ65054	400
LOGIC LINE PLUS 6 LD6/35-N	32	9	A87RZ65055	600
	26	6	A87RZ65056	580
LOGIC LINE PLUS 6L LD6/35XL-N	32	6	A87RZ65010	900
	26	9	A87RZ65054	400
LOGIC LINE PLUS 9 LD9/35-N	32	9	A87RZ65010	900
	26	9	A87RZ65056	580
LOGIC LINE PLUS 8 LD8/35-N	32	12	A87RZ65006	700
	26	12	A87RZ65054	400
LOGIC LINE PLUS 12 LD12/35-N	32	18	A87RZ65055	600
	26	12	A87RZ65056	580
LOGIC LINE PLUS 12L LD12/35XL-N	32	12	A87RZ65010	900
	26	18	A87RZ65054	400
LOGIC LINE PLUS 18 LD18/35-N	32	18	A87RZ65010	900
	26	18	A87RZ65056	580