

03/2014

Mod: LD12/35XL-N

Production code: P08LG06007



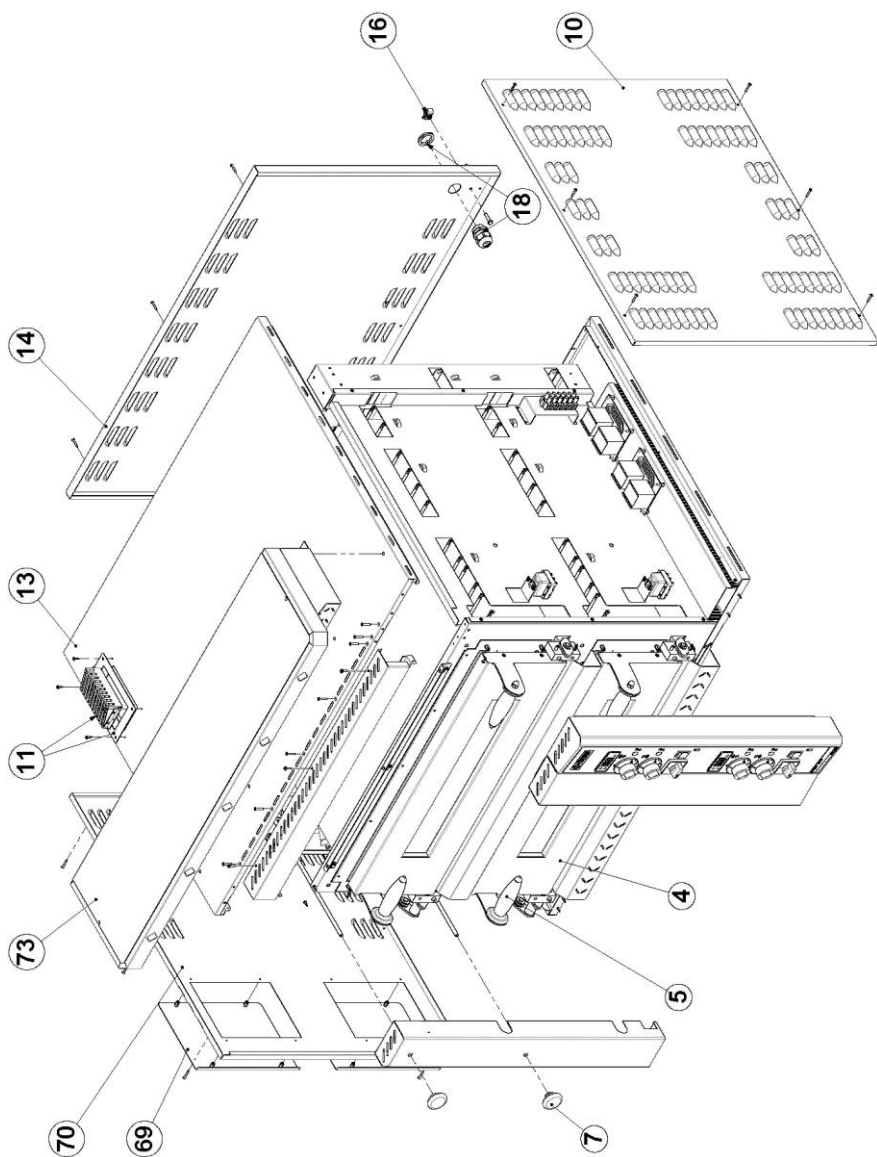
Diamond
catering equipment

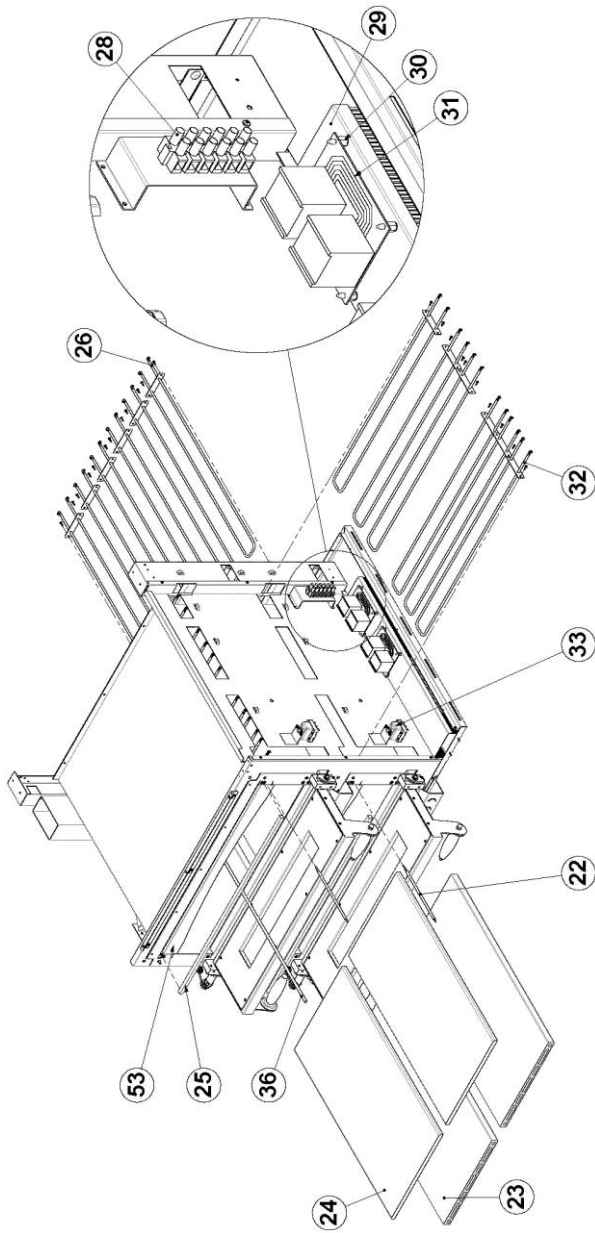


LOGIC LINE PLUS OVENS

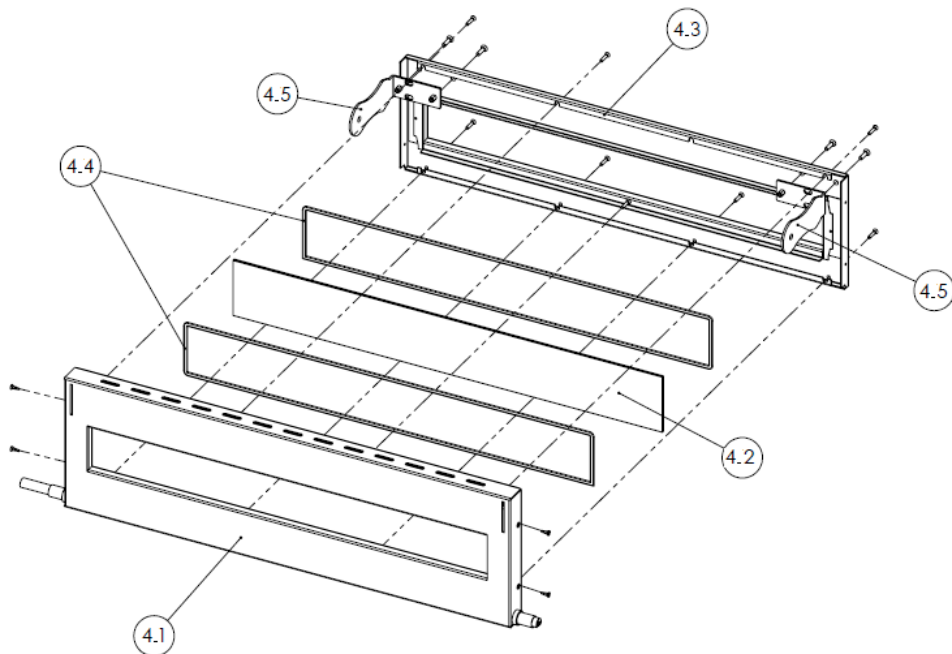
÷ LD12/35XL-N ÷

EXPLODED VIEW and SPARE PARTS LIST





Detail Position 4



| S35FN64025 - LOGIC PLUS 4-6-8-12 (2013) OVEN COMPLETE DOOR | | | |
|---|-------------|---|-------------|
| Pos. | Code | Description | Q.ty |
| 4.1 | S66PT64011 | OVEN DOOR ASSEMBLY 4-6-8-12 (2013) | 1 |
| 4.2 | A00PT57001 | GLASS CERAMIC SHEET Meas. 705X94X4 mm | 1 |
| 4.3 | S66CG64011 | OVEN DOOR-FRAME ASSEMBLY 4-6-8-12 | 1 |
| 4.4 | A94NC00006 | TAPE IN WHITE GLASS FIBRE WITH ADHESIVE SIDE 6X2 mm | 2 |
| 4.5 | S42MG64009 | OVEN HANDLE SUPPORT PLATE (2013) | 2 |

S35FN64030 - LOGIC PLUS 6L÷9÷12L÷18 (2013) COMPLETE OVEN DOOR

| Pos. | Code | Description | Q.ty |
|-------------|-------------|---|-------------|
| 4.1 | S66PT64012 | OVEN DOOR ASSEMBLY 6L-9-12L-18 (2013) | 1 |
| 4.2 | A00PT64001 | GLASS CERAMIC SHEET Meas. 865X94X4 mm | 1 |
| 4.3 | S66CG64012 | OVEN DOOR-FRAME ASSEMBLY 6L÷9÷12L÷18 (2013) | 1 |
| 4.4 | A94NC00006 | TAPE IN WHITE GLASS FIBRE WITH ADHESIVE SIDE 6X2 mm | 2 |
| 4.5 | S42MG64009 | OVEN HANDLE SUPPORT PLATE (2013) | 2 |

Model LD12/35XL-N (M12L)

| Pos. | Code | Description |
|------|------------|---|
| 4 | S35FN64030 | COMPLETE OVEN DOOR 6L÷9÷12L÷18 |
| 5 | S66MG58001 | LOGIC PLUS LINE OVENS DOOR HANDLE ASSEMBLY |
| 7 | S35FN64005 | ABS GREY FLUE CLOSING KNOB |
| 10 | S40LT58011 | LOGIC LINE PLUS 8÷12L OVEN SIDE PANEL |
| 11 | S41CU58001 | PLAQUE FOR FLUE COVER |
| | S66CF63001 | FLUE COVER ASSEMBLY |
| 13 | S32FN20003 | LOGIC PLUS LINE 6L÷12L UPPER LID |
| 14 | S40PS58007 | REAR PANEL LOGIC LINE PLUS÷PYRALIS 12L÷18 |
| 18 | A86EL47003 | NUT FOR CABLE GLAND OBO 106 PG 21 |
| | A86EL46004 | CABLE GLAND OBO 106 PG 21 |
| 16 | A86EL48001 | EQUIPOTENTIAL ATTACHMENT |
| 17 | A87IL72005 | TRANSPARENT LED BULB 380 V, CABLE LENGTH 200MM ENTRY (INCLUDING HOOD) |
| 19 | S73FN55007 | MANOPOLA TERMOSTATO AP10 GREY LOGIC OVEN THERMOSTAT KNOB |
| 21 | A88TC84001 | EVCO EVK100J7 DIGITAL THERMOMETER |
| 22 | A88SO79004 | PROBE TCJB154V8.5 IND DIAM.4X150MM L=0.85MT |
| 23 | A95FA65003 | PERFORATED BLOCK 700X350X22 |
| 24 | A95OO65008 | BLOCK 350X700X14 |
| 25 | A94NC00004 | CORD 15X12 |
| 26 | A87RZ65054 | RESISTANCE 400 W 230 V |
| 28 | A87CX62006 | MAMMUT ASSEMBLY |
| 30 | A86PQ42002 | PLASTIC SPACER CF06H4080-1810 |
| 31 | A88SE81001 | "SIPREM" REMOTE SWITCHES BOARD |
| 32 | A87RZ65010 | RESISTANCE 900 W 230 V |
| 33 | A88TX77004 | UNIPOLAR SAFETY THERMOSTAT |
| 34 | A87AZ69011 | GIOVENZANA 48X48 GREY/BLACK INT.MASK 32A |
| 35 | A88TX77005 | EGO UNIPOLAR THERMOSTAT FOR 470° OVENS BULB 163 MM |
| 36 | S74ST55002 | RESISTANCES SUPPORT ROUND BAR ENTRY 4-6L-8-12L |
| 38 | A86ME26007 | WASHER Ø 6.4 DIN 9021 |
| 39 | A86ME25013 | SELF-TAPPING NUT M6 DIN 980 V |
| 40 | A86ME24015 | HEX HEAD SCREW DIN 933 M6X20 |
| 41 | S42ML64001 | SPRING FIXING SPLINE LOGIC PLUS LINE |
| 42 | S74ML63002 | SPRING ROTATION WHEEL RELEASE 2011 |
| 43 | S69RT63001 | WHEEL ROTATION PIN RELEASE 2011 |
| 44 | S74PT64001 | LOGIC PLUS LINE DOOR SPLINES SPACER |
| 45 | S42FE58002 | LOGIC PLUS LINE DOOR STOP SPLINE |
| 47 | A86ME24038 | COUNTERSUNK HEX HEAD SCREW M6x55 |
| | S49PT64001 | DOOR FIXING BLOCK |

| | | |
|----|--------------------------|--|
| 48 | S64RT58001 A86ME31001 | LOGIC DOOR ROTATION BUSH SHOT PIN Ø 3x16 |
| 50 | A86ME25002 | HEXAGONAL NUT DIN 934 M6 |
| 52 | A86ME30012 | SPRING |
| 53 | S52CO64003 | CORD SUPPORT 6L÷9÷12L÷18 |
| 54 | A87AZ69001 | LUMINOUS BI-POLAR SWITCH 0-1 CV2 |
| 56 | A93OL65035 | LOGIC PLUS LINE 175MY 705X100 TWIN CHAMBER POLYCARB. LABELLING DEV. |
| 60 | A87IL74003 | BULB GLASS BJB 77.360.002,00 "2000" ROUND WITH METAL RING |
| 61 | A94GU00003 | BRAIDED GASKET FOR ROUND BULB GLASS BJB 77.360.002.00 "2000" |
| 62 | A94GU65001 | BULB-HOLDER GASKET IN SUPPER WOOL |
| 63 | A94GU00002 | ROUND GASKET FOR CLIP |
| 64 | S74PD64001 | OVENS BULB GLASS FIXING CLIP |
| 65 | A87IL72010 | BULB 40W 220/240V E14 500° 45X75 MM |
| 66 | A87IL73006 | BULB-HOLDER VOSSLOH SCHWABE E14 TYPE 51211 |
| 67 | S30PD64005 | ANGULAR BULB-HOLDER PYRALIS-SMALL BULB |
| 68 | S52PD64003 | INCLINED BULB-HOLDER |
| 69 | S40LT64001 | ASSISTANCE BULB PROTECTION SIDE PANEL |
| 70 | S40IN64007 | LOGIC LINE PLUS 8÷12L-LH OVEN SIDE PANEL |
| 72 | A87AZ69009 | GIOVENZANA SWITCH SE323004R+0010001 32A 4P |
| 73 | S66CA58002 | LOGIC PLUS LINE 6L-9-12L-18 CAP |

HEATING ELEMENTS

| MODEL | POSITION | Q.TY | CODE | POWER (W) |
|------------------------------------|----------|------|------------|-----------|
| LOGIC LINE PLUS 4 LD4/35-N | 32 | 6 | A87RZ65006 | 700 |
| | 26 | 6 | A87RZ65054 | 400 |
| LOGIC LINE PLUS 6 LD6/35-N | 32 | 9 | A87RZ65055 | 600 |
| | 26 | 6 | A87RZ65056 | 580 |
| LOGIC LINE PLUS 6L LD6/35XL-N | 32 | 6 | A87RZ65010 | 900 |
| | 26 | 9 | A87RZ65054 | 400 |
| LOGIC LINE PLUS 9 LD9/35-N | 32 | 9 | A87RZ65010 | 900 |
| | 26 | 9 | A87RZ65056 | 580 |
| LOGIC LINE PLUS 8 LD8/35-N | 32 | 12 | A87RZ65006 | 700 |
| | 26 | 12 | A87RZ65054 | 400 |
| LOGIC LINE PLUS 12 LD12/35-N | 32 | 18 | A87RZ65055 | 600 |
| | 26 | 12 | A87RZ65056 | 580 |
| LOGIC LINE PLUS 12L LD12/35XL-N | 32 | 12 | A87RZ65010 | 900 |
| | 26 | 18 | A87RZ65054 | 400 |
| LOGIC LINE PLUS 18 LD18/35-N | 32 | 18 | A87RZ65010 | 900 |
| | 26 | 18 | A87RZ65056 | 580 |