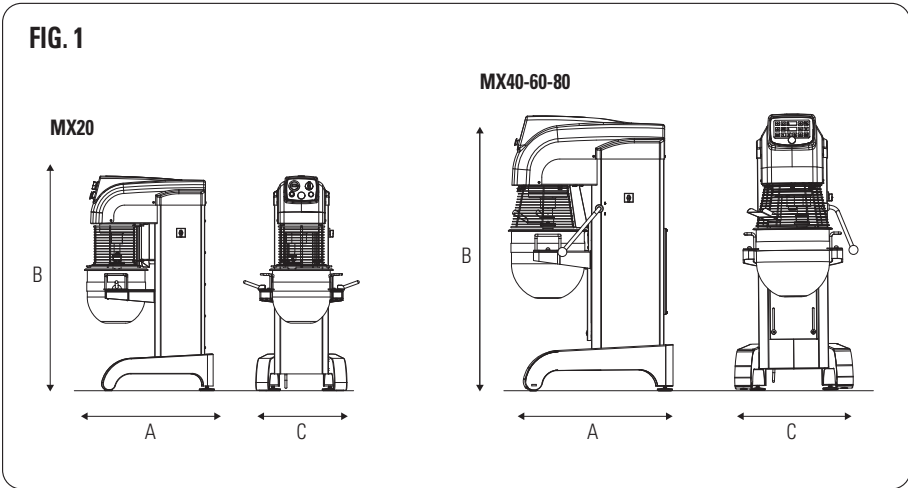


11/2019

Mod: < 6A!* \$H# J

Production code: AL * \$D

1.3 Technical characteristics



ENGLISH

| Model | Capacity Lt | Speed Rpm | Volt | Power Kw | Dimensions mm | | | Weight Kg |
|---------|-------------|------------------|----------|----------|---------------|---|---|-----------|
| | | | | | A | C | B | |
| MX20T | 20 | 30/60/120 | 400/50/3 | 1,1 | 700x500x1200 | | | 110 |
| MX40T | 40 | 30/60/120 | 400/50/3 | 1,3 | 910x650x1520 | | | 250 |
| MX60T | 60 | 30/60/120 | 400/50/3 | 1,7 | 1000x680x1600 | | | 280 |
| MX80T | 80 | 30/60/120 | 400/50/3 | 1,7 | 1000x680x1600 | | | 290 |
| MX20P/M | 20 | min.30 / max 120 | 230/50/1 | 0,75 | 700x500x1200 | | | 110 |
| MX20P | 20 | min.30 / max 120 | 400/50/3 | 0,75 | 700x500x1200 | | | 110 |
| MX40P/E | 40 | min.30 / max 120 | 400/50/3 | 2,2 | 910x610x1520 | | | 250 |
| MX60P/E | 60 | min.30 / max 120 | 400/50/3 | 3 | 1000x680x1600 | | | 280 |
| MX80P/E | 80 | min.30 / max 120 | 400/50/3 | 3 | 1000x680x1600 | | | 290 |

1.4 Electrical diagrams

For electrical diagrams refer to FIG. (page...)

1.5 Area occupied by the operator

Under normal operating conditions and for optimal use of the machine's capacities, the operator requires the area outlined in FIG.2.