

08/2021

# **Mod: GL9/35-D**

**Production code: GR935/1D**

Table 1

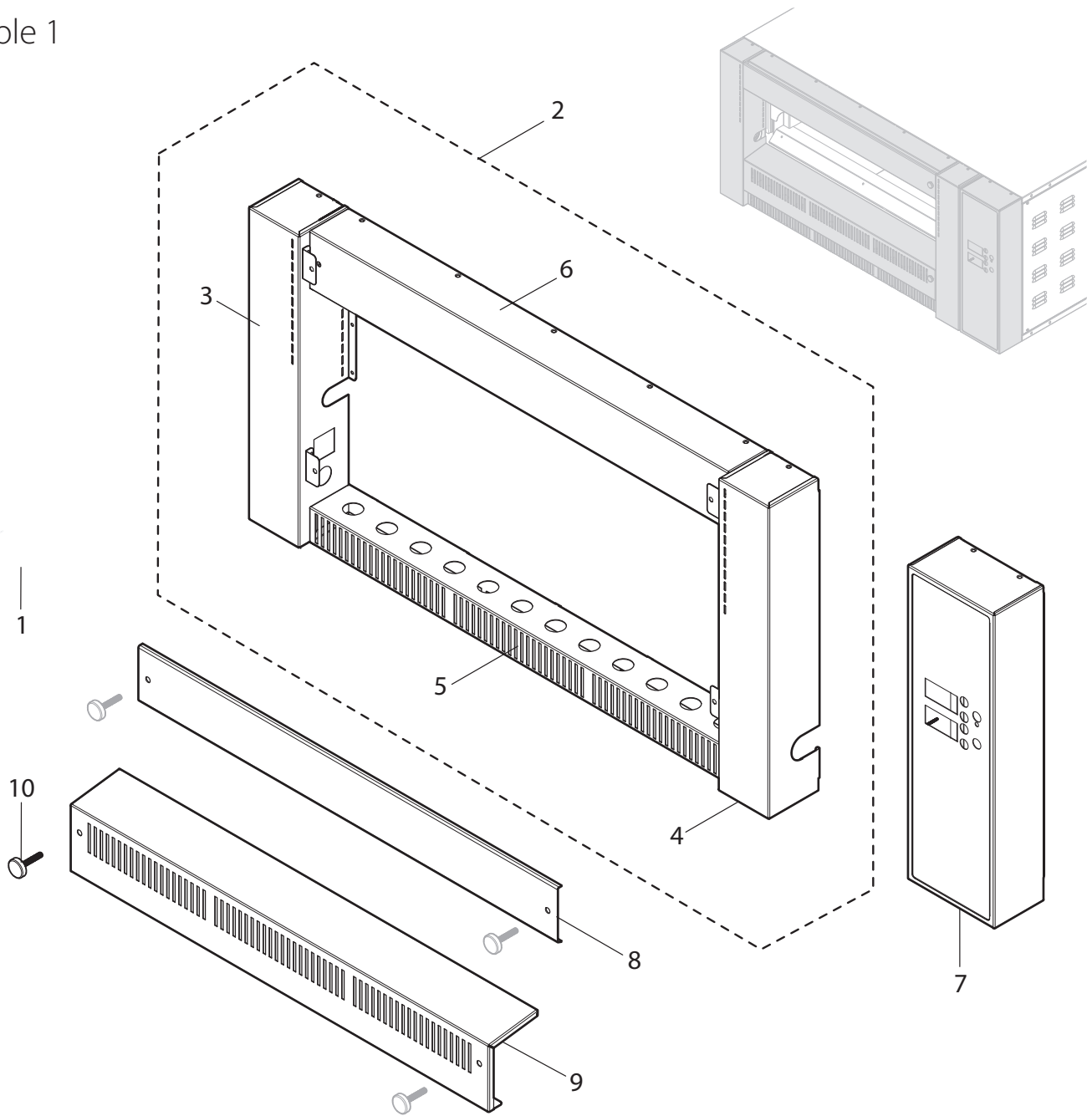


TABLE 1

POS.	MODEL	VERSION	CODE	DESCRIPTION	SERIAL NUMBER...	DATE...
1			71000280	POLYCARBONATE FRONT		
2	GR 4-6		80910030	COMPLETE FRONT		
	GR 6L-9		80910031	COMPLETE FRONT		
3			80910010	LH COLUMN ASSEMBLY		
4			80910020	RH COLUMN ASSEMBLY		
5	GR 4-6		80900390	BOTTOM BASE		
	GR 6L-9		80900391	BOTTOM BASE		
6	GR 4-6		80900400	TOP BASE		
	GR 6L-9		80900401	TOP BASE		
7			80900360	INSTRUMENT PANEL		
8	GR 4-6		80900500	TOP BASE COVER		
	GR 6L-9		80900501	TOP BASE COVER		
9	GR 4-6		80900420	MOBILE BASE		
	GR 6L-9		80900421	MOBILE BASE		
10			70201000	GLASS FIXING SCREW		

Table 2

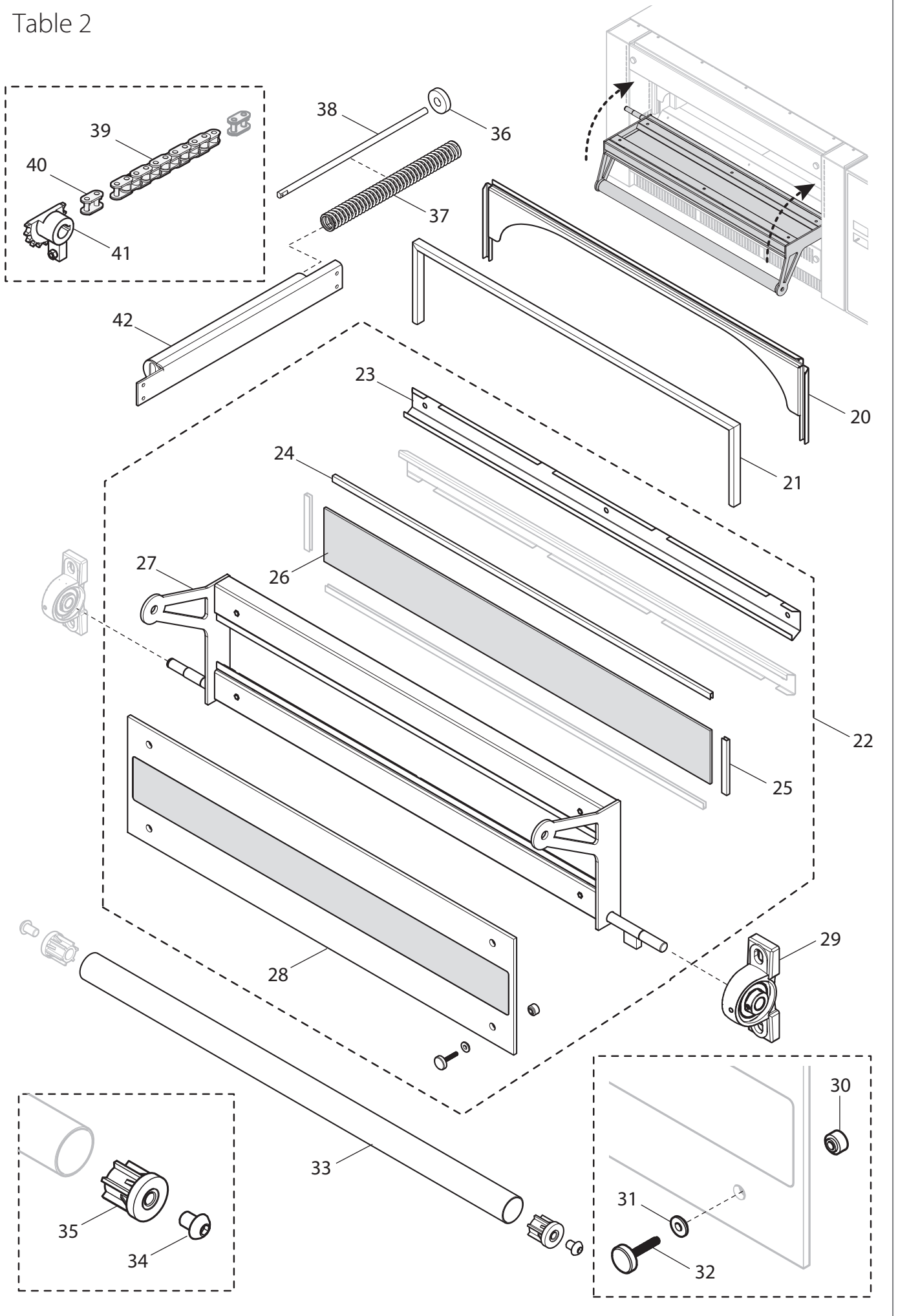


TABLE 2 EU/UL

POS.	MODEL	VERSION	CODE	DESCRIPTION	SERIAL NUMBER...	DATE...
20	GR 4-6		80900290	CHAMBER ARCH		
	GR 6L-9		80900291	CHAMBER ARCH		
21	GR 4-6		70310010	DOOR SEAL 1140		
	GR 6L-9		70310011	DOOR SEAL 1500		
22	GR 4-6		80980000	COMPLETE DOOR		
	GR 6L-9		80980001	COMPLETE DOOR		
23	GR 4-6		80900330	DOOR GLAZING PROFILE		
	GR 6L-9		80900331	DOOR GLAZING PROFILE		
24	GR 4-6		70100150	ALUMINIUM GLASS SEAL L.761		
	GR 6L-9		70100185	ALUMINIUM GLASS SEAL L.1119		
25			70100100	ALUMINIUM GLASS SEAL L.95		
26	GR 4-6		71200040	CERAMIC GLASS 778X93		
	GR 6L-9		71200041	CERAMIC GLASS 1136X93		
27	GR 4-6		80970000	DOOR STRUCTURE		
	GR 6L-9		80970001	DOOR STRUCTURE		
28	GR 4-6		71200320	TOUGHENED GLASS MM.6x778X202		
	GR 6L-9		71200321	TOUGHENED GLASS MM.6x1136X202		
29			70500200	SUPPORT UCP 202		
30			70400340	DOOR TOUGHENED GLASS BUSHING		
31			70400341	TOUGHENED GLASS TEFLON WASHER		
32			70201000	GLASS FIXING SCREW		
33	GR 4-6		70100330	PIPE ø38x1.5 L. 766		
	GR 6L-9		70100331	PIPE ø38x1.5 L. 1124		
34			70200004	TBCE SCREW A2 M12X30		
35			70400300	PIPE FIXING TERMINAL D.38		
36			80650050	PISTON BRONZE WASHER		
37	GR 4-6		70500251	DOOR SPRING		
	GR 6L-9		70500252	DOOR SPRING		
38			80750080	SINGLE PISTON ROD L. 320		
39			80550080	DOOR 3/8 CHAIN		
40			70500293	CONNECTING LINK 3/8		
41			80760010	DOOR PINION ASSEMBLY		
42			80760020	CYLINDER KIT		

Table 3

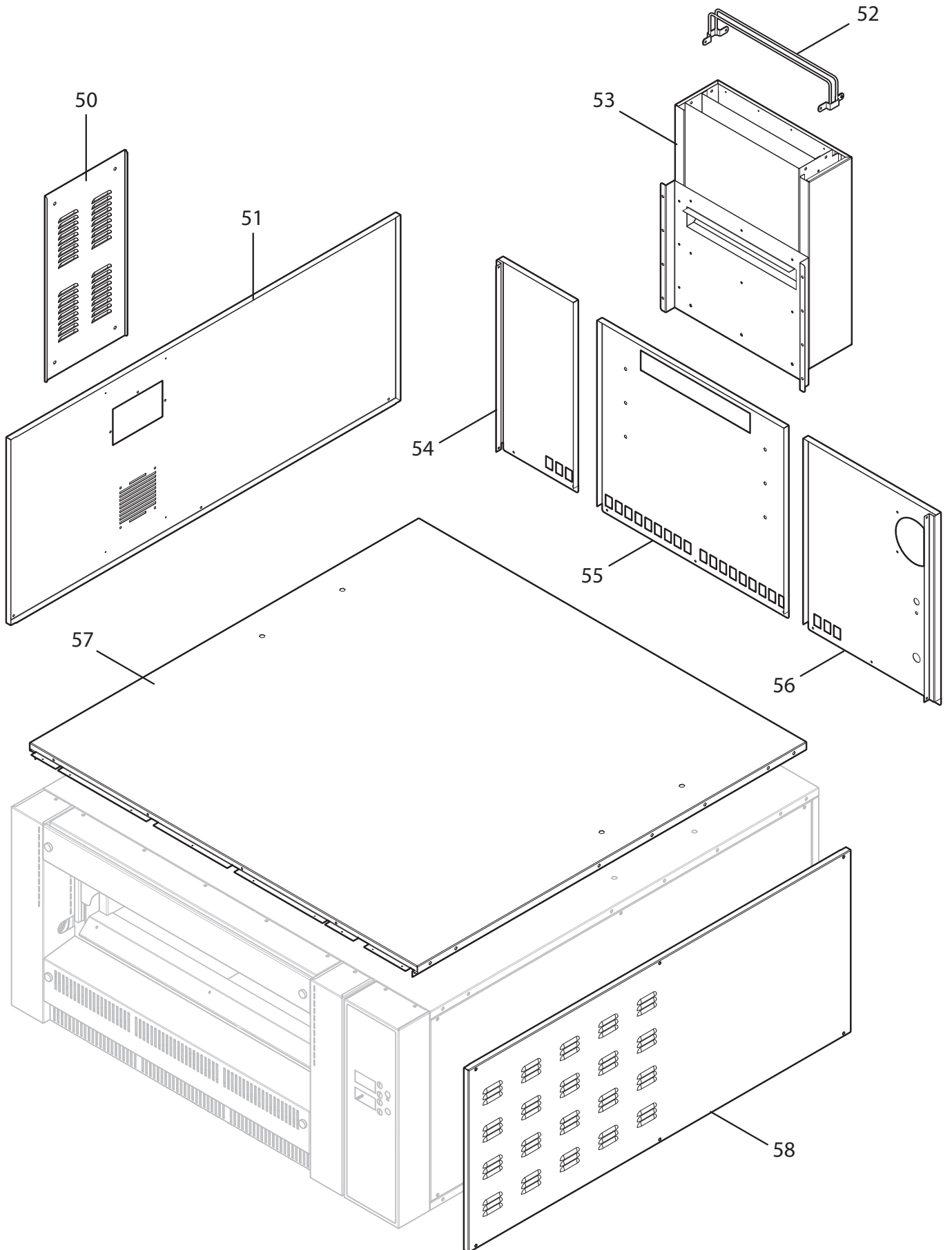




Table 4

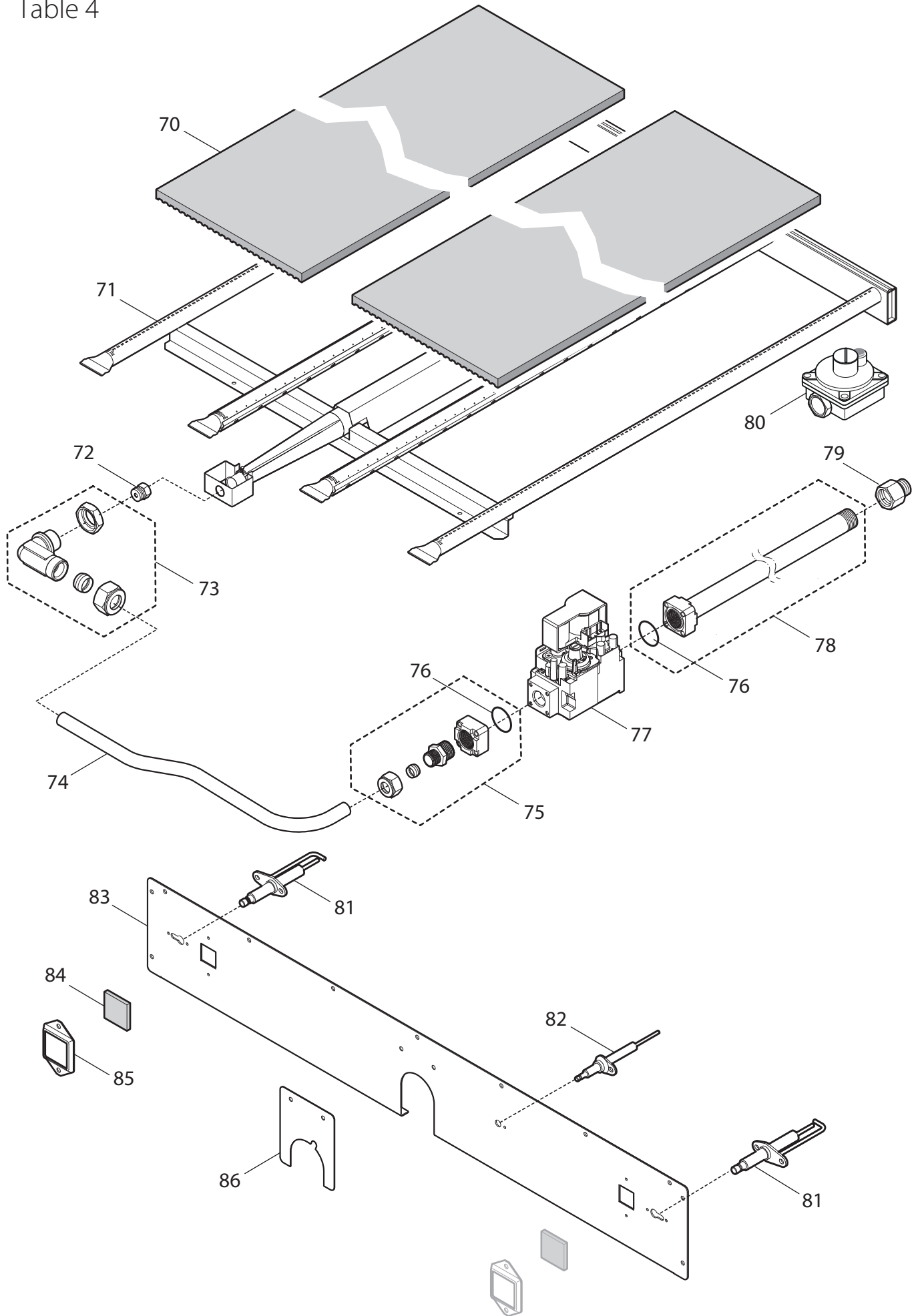


TABLE 4 EU/UL

POS.	MODEL	VERSION	CODE	DESCRIPTION	SERIAL NUMBER...	DATE...	PRICE LIST
70	GR 4-6L		71100004	CORDIERITE BRICK 716X358X19			
	GR 6-9		71100005	CORDIERITE BRICK 1074X358X19			
71	GR-4		80950060	BURNER			
	GR-6		80950061	BURNER			
	GR-6L		80950062	BURNER			
	GR-9		80950063	BURNER			
72		AC 230V	80950200	NOZZLE d. 180			
		AC 230V	80950201	NOZZLE d. 185			
		AC 230V	80950202	NOZZLE d. 200			
		AC 230V	80950203	NOZZLE d. 210			
		AC 208V	80950204	NOZZLE d. 215			
		AC 230V	80950205	NOZZLE d. 220			
		AC 230V	80950206	NOZZLE d. 230			
		AC 208V	80950207	NOZZLE d. 235			
		AC 230V	80950208	NOZZLE d. 250			
		AC 230V-AC 208V	80950209	NOZZLE d. 275			
		AC 230V	80950210	NOZZLE d. 290			
		AC 230V	80950211	NOZZLE d. 310			
		AC 230V	80950212	NOZZLE d. 320			
		AC 230V	80950213	NOZZLE d. 330			
		AC 230V	80950214	NOZZLE d. 340			
		AC 230V	80950215	NOZZLE d. 360			
		AC 230V	80950216	NOZZLE d. 380			
		AC 230V-AC 208V	80950217	NOZZLE d. 420			
	AC 208V	80950218	NOZZLE d. 500				
	AC 208V	80950219	NOZZLE d. 580				
73			70500330	1/2 BRASS ELBOW FITTING			
74	GR4-6		80950040	PIPE d.12X1.5			
	GR6L-9		80950041	PIPE d.12X1.5			
75			70500337	GAS PIPE CHROME FITTING 1/2 COMPLETE			
76			70500335	O-RING			
77		AC 230V	70600665	SOLENOID VALVE 840 230V 50HZ			
		AC 208V	70600667	SOLENOID VALVE 840 120V 60HZ			
78	GR 4-6L		80960020	COMPLETE SUPPLY PIPE			
	GR 6-9		80960021	COMPLETE SUPPLY PIPE			
79			70500331	GAS PIPE CHROME FITTING 1/2			
80		AC 208V	70500338	UL REGULATOR			
81			70600675	IGNITION SPARK PLUG			
82			70600676	IONIZER SPARK PLUG			
83	GR 4-6		80900380	BENCH FLAME ARRESTER			
	GR 6L-9		80900381	BENCH FLAME ARRESTER			
84			71200200	BOROSILICATE GLASS 28X28			
85			80950130	GLASS RING			
86			80900370	BENCH FLAME ARRESTER BRACKET			



Table 5

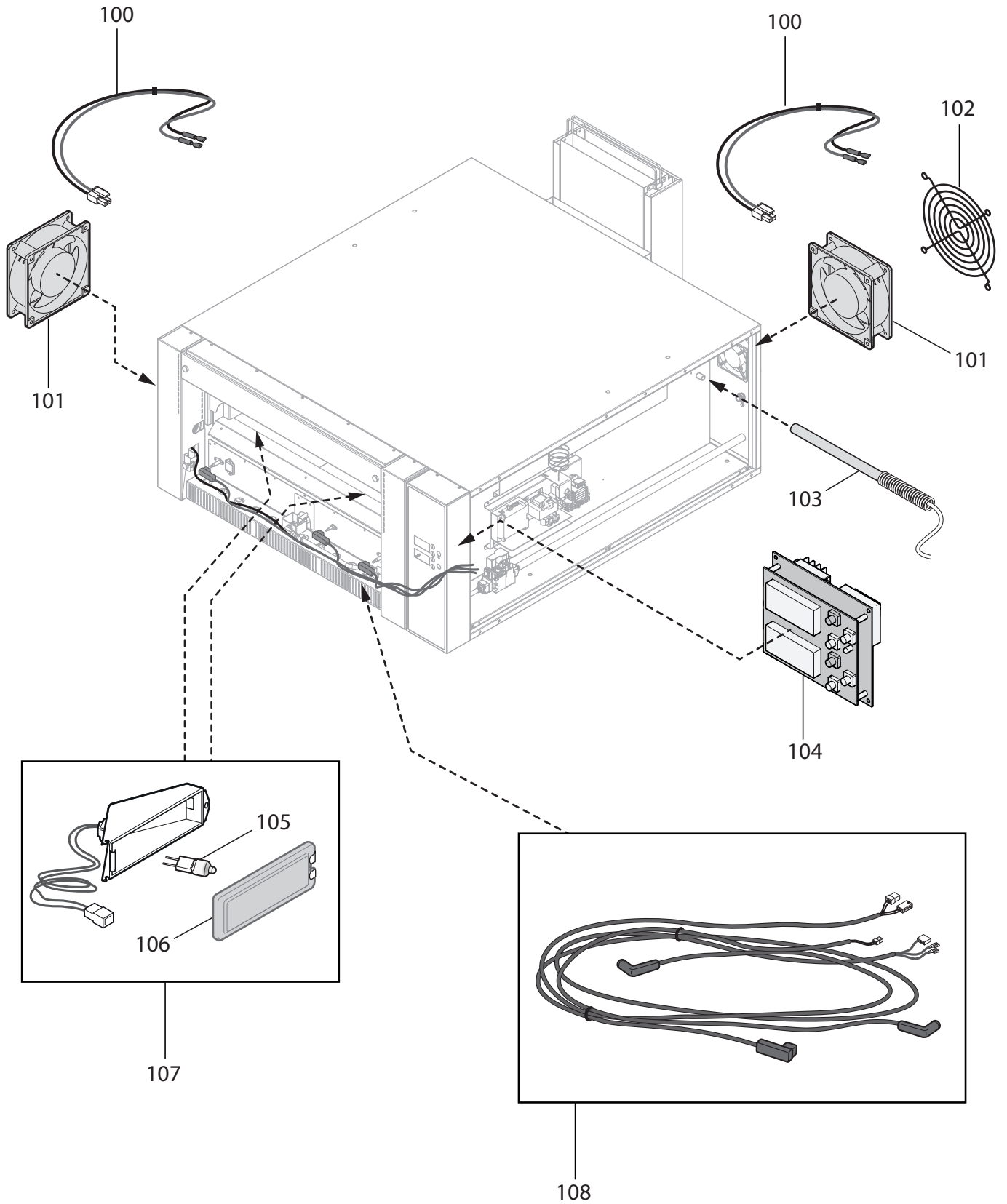




Table 6

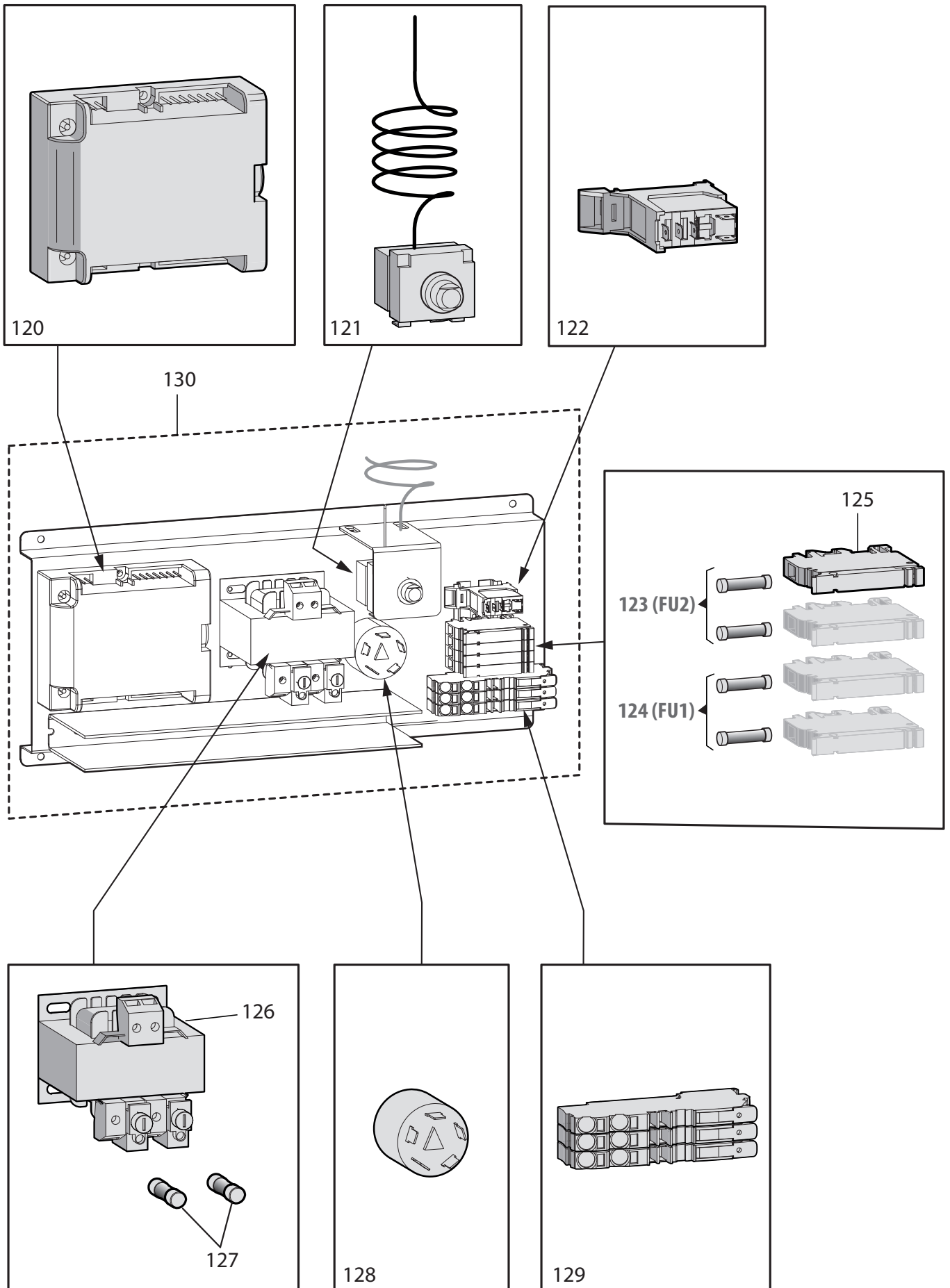
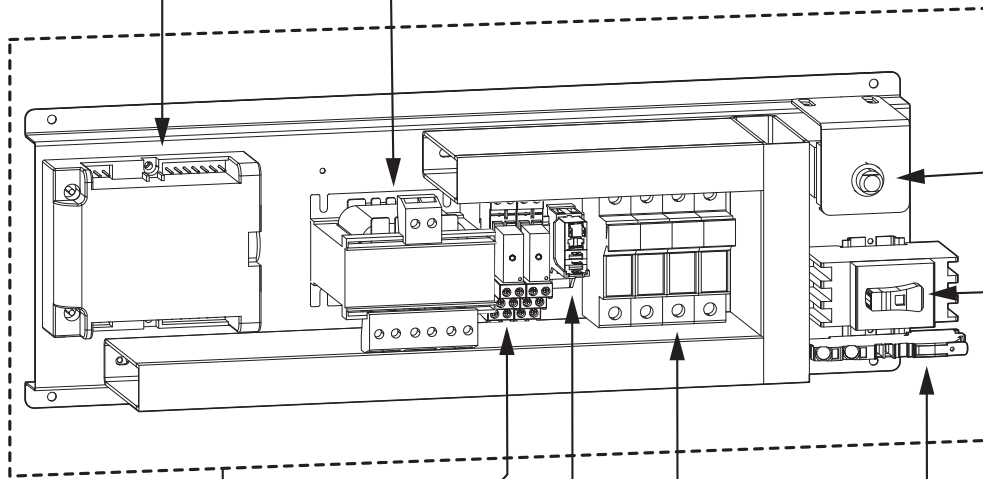
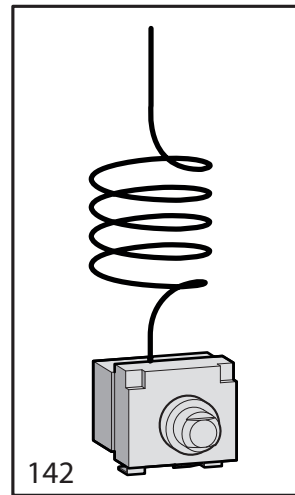
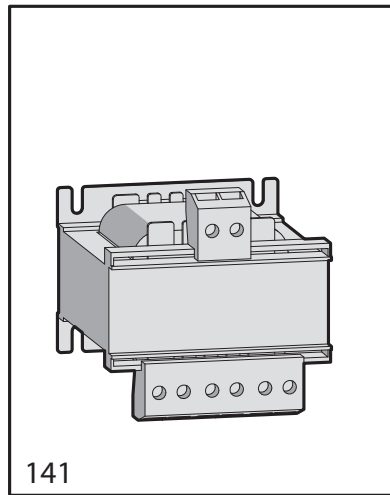
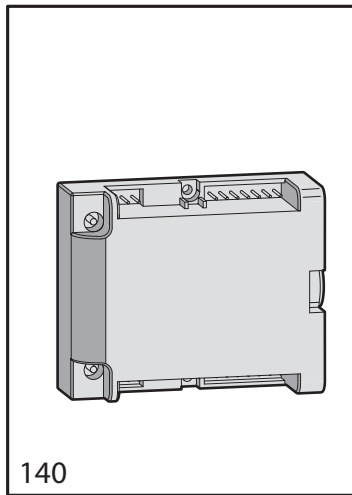




Table 7



149

