

08/2021

Mod: GL6/35-D

Production code: GR635/1D/1D

Table 1

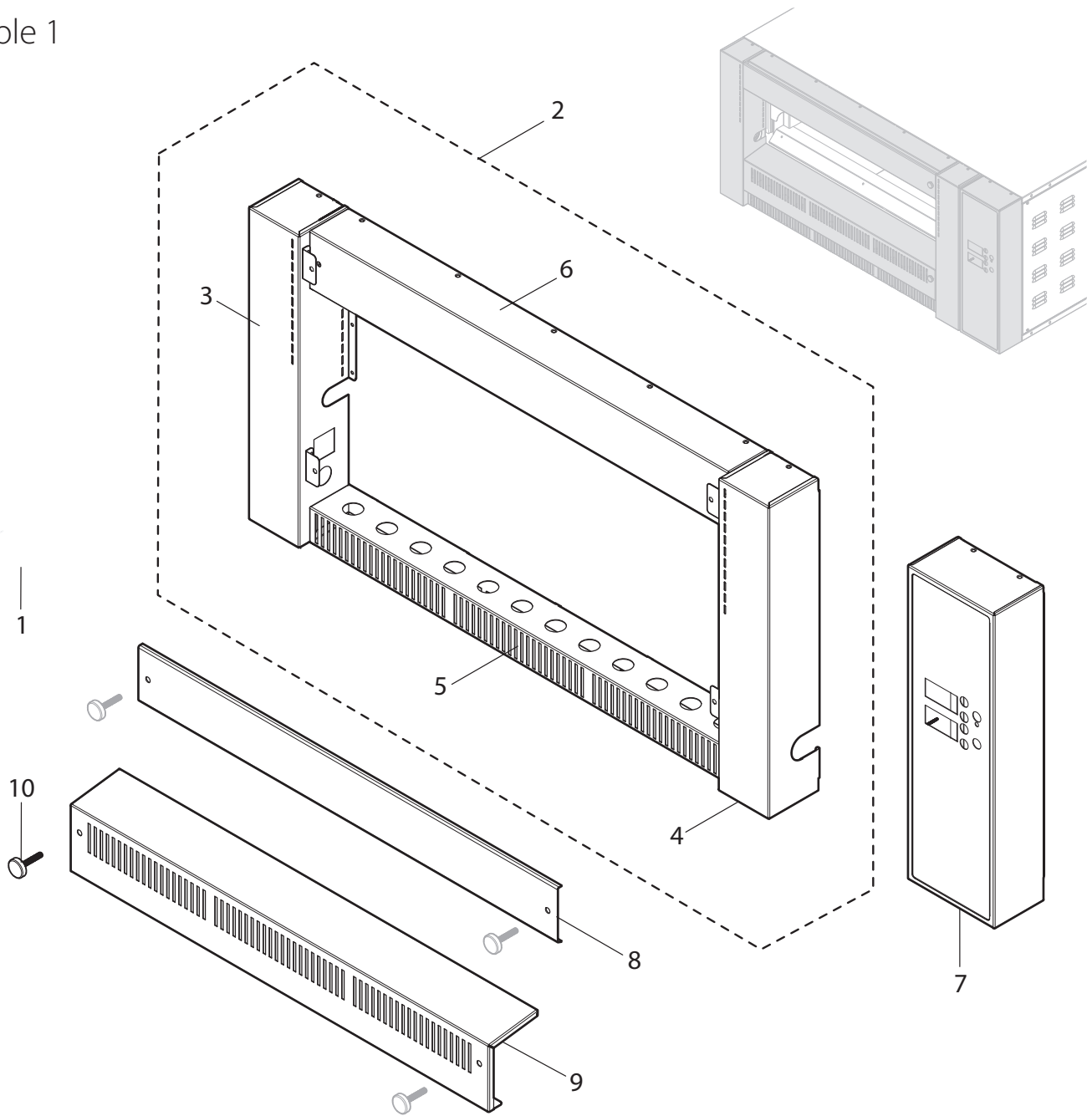


TABLE 1

POS.	MODEL	VERSION	CODE	DESCRIPTION	SERIAL NUMBER...	DATE...
1			71000280	POLYCARBONATE FRONT		
2	GR 4-6		80910030	COMPLETE FRONT		
	GR 6L-9		80910031	COMPLETE FRONT		
3			80910010	LH COLUMN ASSEMBLY		
4			80910020	RH COLUMN ASSEMBLY		
5	GR 4-6		80900390	BOTTOM BASE		
	GR 6L-9		80900391	BOTTOM BASE		
6	GR 4-6		80900400	TOP BASE		
	GR 6L-9		80900401	TOP BASE		
7			80900360	INSTRUMENT PANEL		
8	GR 4-6		80900500	TOP BASE COVER		
	GR 6L-9		80900501	TOP BASE COVER		
9	GR 4-6		80900420	MOBILE BASE		
	GR 6L-9		80900421	MOBILE BASE		
10			70201000	GLASS FIXING SCREW		

Table 2

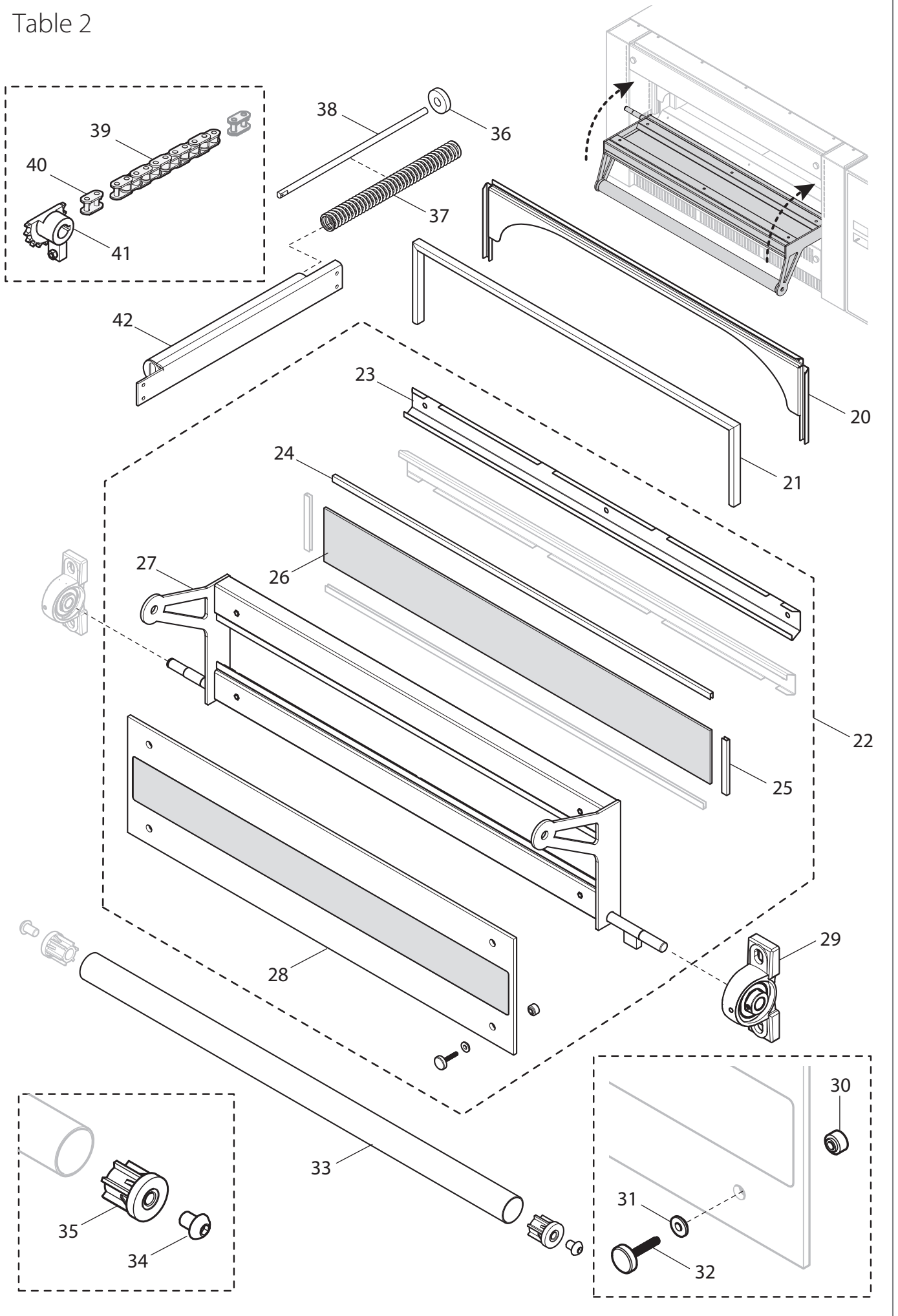


Table 3

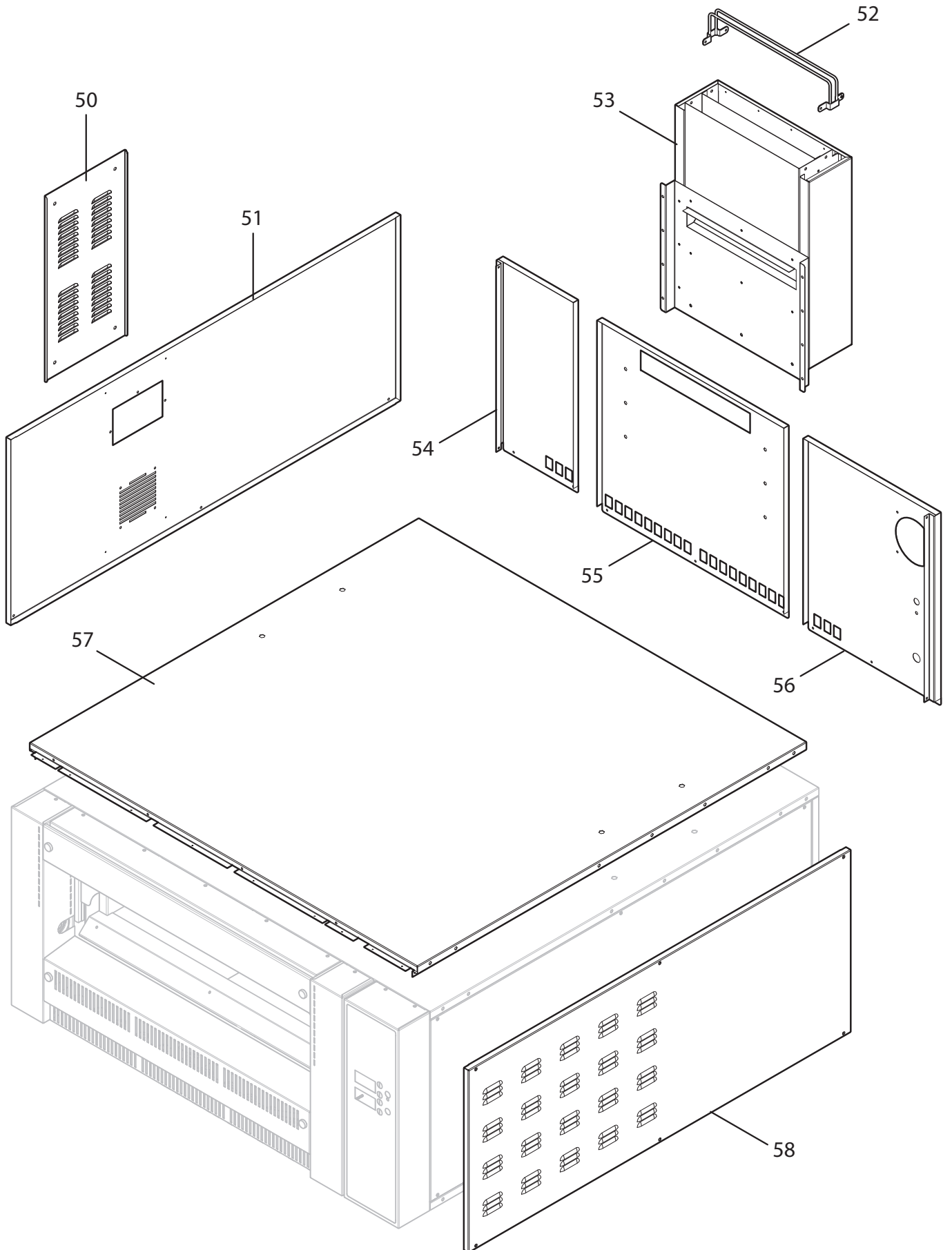


Table 4

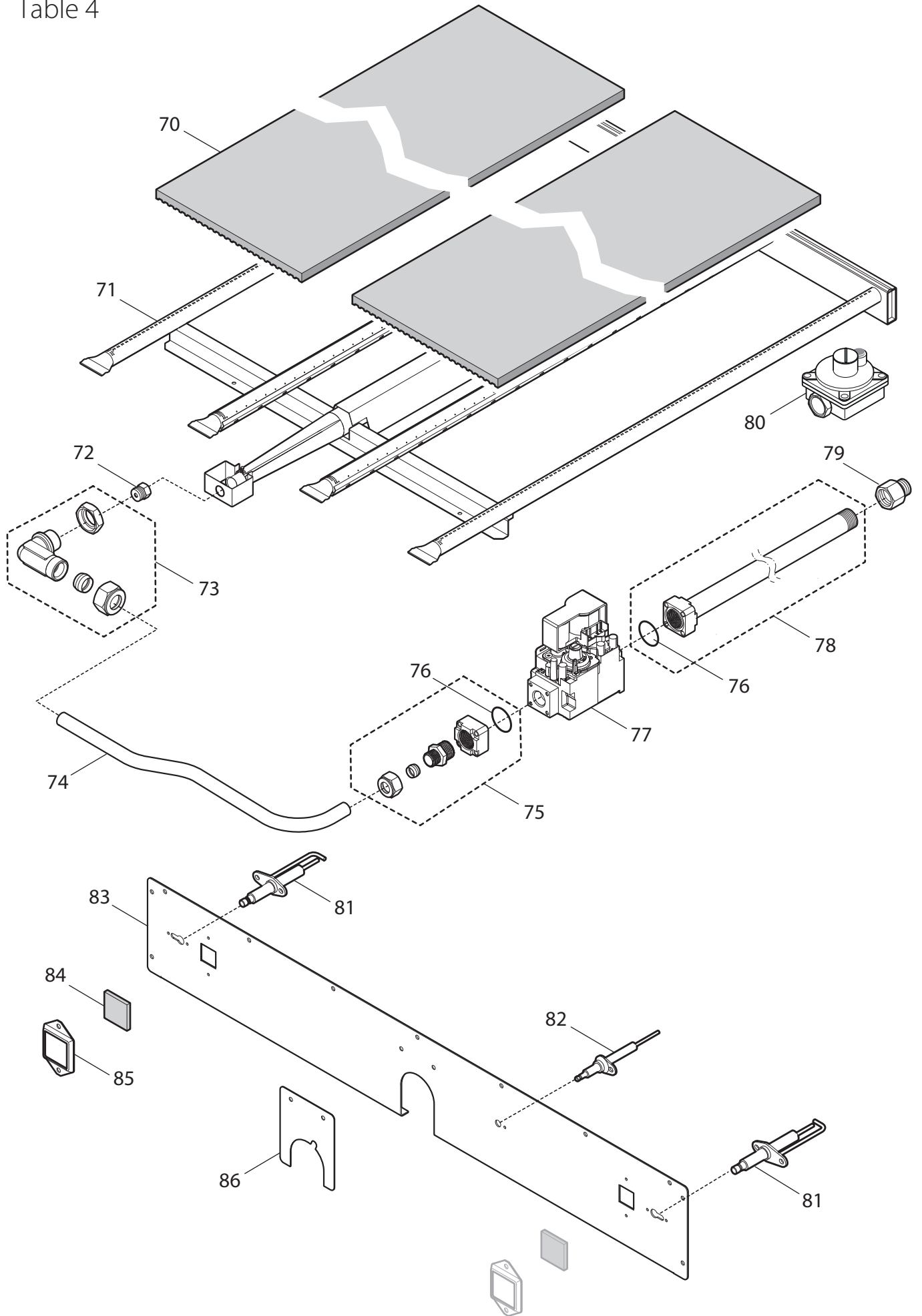


Table 5

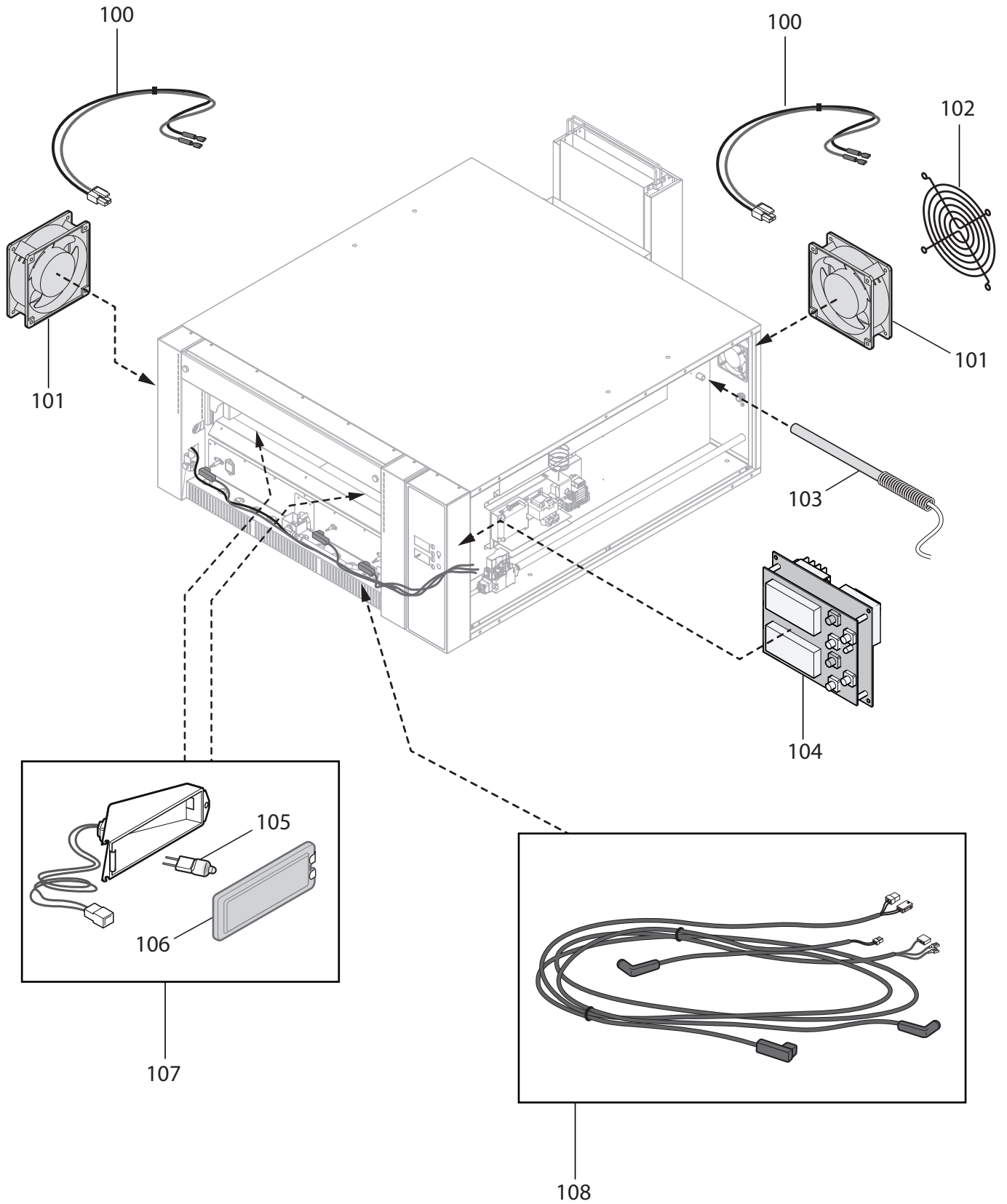


Table 6

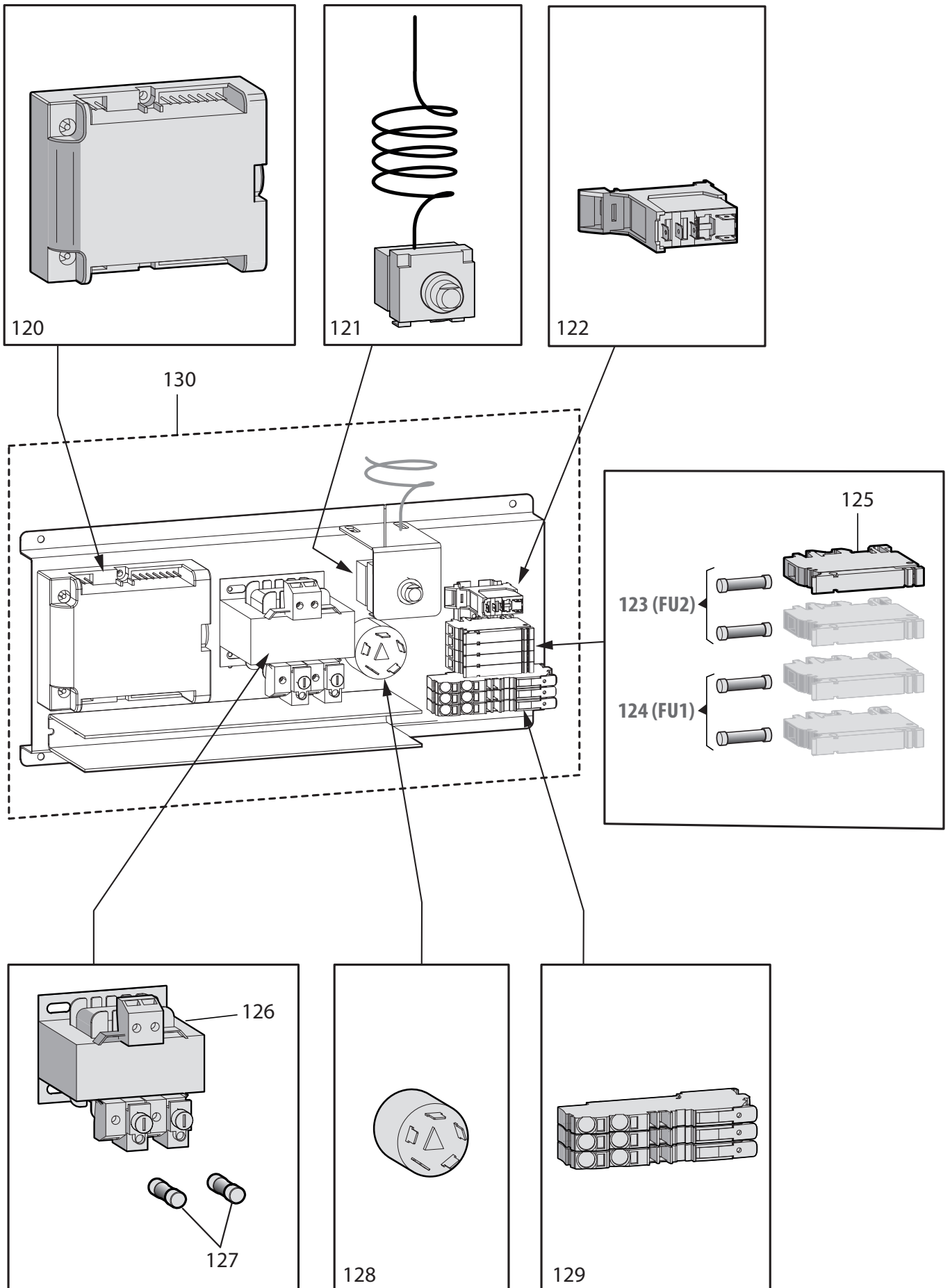


Table 7

