

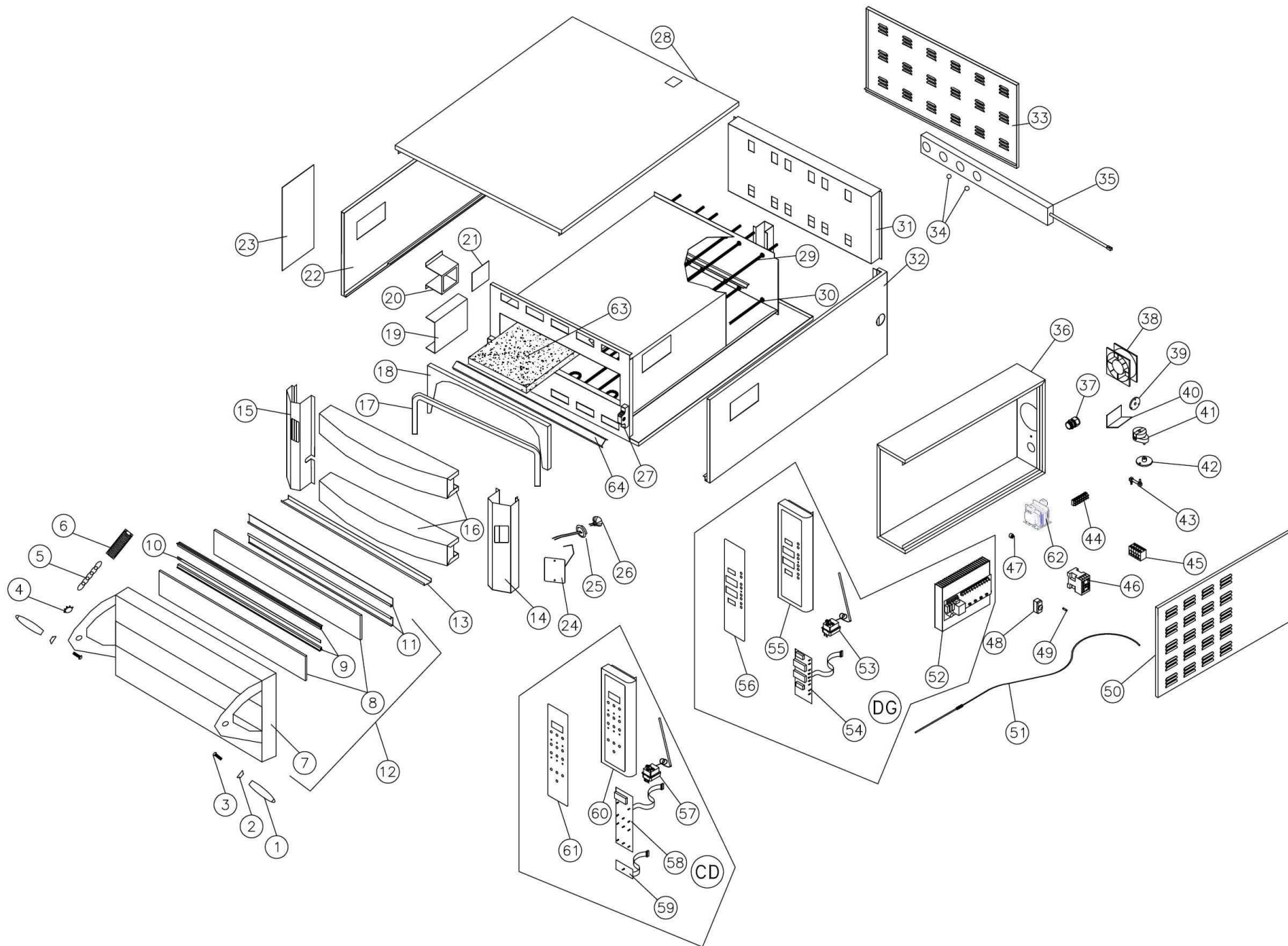
07/2015

# **Mod: GDX12/35-LDP**

**Production code: ML635L/2CD**



**Diamond**  
catering equipment



**Parti di ricambio - Spare parts – Ersatzteile - Pieces de rechange - Piezas de repuesto - Запасные части**

| Nr. | Codice Code Código | Descrizione                     | Description                       | Beschreibung                      | Description                            | Descripción                           | Описание                             |
|-----|--------------------|---------------------------------|-----------------------------------|-----------------------------------|--|---------------------------------------|--------------------------------------|
| 1   | 91510001           | MANOPOLA CON INSERTO NERA       | BLACK INLAY KNOB                  | DREHKNOPF MIT SCHWARZEM EINSATZ   | MANETTE AVEC INSERT NOIRE              | MANGO NEGRO CON INSERTO               | РУЧКА С ВСТАВКОЙ ЧЕРНОГО ЦВЕТА       |
| 2   | 91510051           | RONDELLA SALVAMANI NERA         | FLAT HAND PROTECTION WASHER       | HANDSCHUTZGUMMI SCHWARZ           | RONDELLE DE PROTECTION DES MAINS NOIRE | ARANDELA PROTECCIÓN MANOS NEGRA       | ЗАЩИТНАЯ ШАЙБА ЧЕРНОГО ЦВЕТА         |
| 3   | 91110007           | VITE INOX TBE M12x30            | STAINLESS STEEL TBE M12x30 SCREWS | SCHRAUBE EDELSTAHL TBE M12x30     | VIS INOX TBE M12x30                    | TORNILLO INOX TBE M12x30              | ВИНТ ИЗ НЕРЖАВЕЮЩЕЙ СТАЛИ TBE M12x30 |
| 4   | 91410445           | PIGNONE Z17 - 3/8               | PINION Z17 - 3/8                  | RITZEL Z17 - 3/8                  | PIGNON Z17 - 3/8                       | PIÑÓN Z17 - 3/8                       | ЗУБЧАТОЕ КОЛЕСО Z17 - 3/8            |
| 5   | 92910505           | CATENA PORTA                    | DOOR CHAIN                        | TÜRENKETTE                        | CHAÎNE PORTE                           | CADENA PUERTA                         | ЦЕПЬ                                 |
| 6   | 92910500           | MOLLA                           | SPRING                            | FEDER                             | RESSORT                                | MUELLE                                | ПРУЖИНА                              |
| 7   | 95311010           | STRUTTURA PORTA ML 4-6          | DOOR STRUCTURE ML 4-6             | TÜRRAHMEN ML 4-6                  | STRUCTURE PORTE ML 4-6                 | ESTRUCTURA PUERTA ML 4-6              | СТРУКТУРА ДВЕРЦЫ ML 4-6              |
| 7   | 95311011           | STRUTTURA PORTA ML 6L-9         | DOOR STRUCTURE ML 6L-9            | TÜRRAHMEN ML 6L-9                 | STRUCTURE PORTE ML 6L-9                | ESTRUCTURA PUERTA ML 6L-9             | СТРУКТУРА ДВЕРЦЫ ML 6L-9             |
| 8   | 91610037           | VETRO CERAMICO ML 4-6 762X93    | CERAMIC GLASS ML 4-6 762X93       | KERAMIKSCHEIBE ML 4-6 762X93      | VITRE CÉRAMIQUE ML 4-6 762X93          | CRISTAL CERÁMICO ML 4-6 762X93        | КЕРАМИЧЕСКОЕ СТЕКЛО ML 4-6 762X93    |
| 8   | 91610038           | VETRO CERAMICO ML 6L-9 1120X93  | CERAMIC GLASS ML 6L-9 1120X93     | KERAMIKSCHEIBE ML 6L-9 1120X93    | VITRE CÉRAMIQUE ML 6L-9 1120X93        | CRISTAL CERÁMICO ML 6L-9 1120X93      | КЕРАМИЧЕСКОЕ СТЕКЛО ML 6L-9 1120X93  |
| 9   | 95320010           | DISTANZIALE VETRI PORTA ML 4-6  | DOOR GLASS SPACERS ML 4-6         | DISTANZSTÜCKE TÜRSCHIEBEN ML 4-6  | ENTRETOISE VITRES PORTE ML 4-6         | DISTANCIADOR CRISTALES PUERTA ML 4-6  | ПРОКЛАДКА СТЕКЛА ДВЕРЦЫ ML 4-6       |
| 9   | 95320011           | DISTANZIALE VETRI PORTA ML 6L-9 | DOOR GLASS SPACERS ML 6L-9        | DISTANZSTÜCKE TÜRSCHIEBEN ML 6L-9 | ENTRETOISE VITRES PORTE ML 6L-9        | DISTANCIADOR CRISTALES PUERTA ML 6L-9 | ПРОКЛАДКА СТЕКЛА ДВЕРЦЫ ML 6L-9      |
| 10  | 95311030           | GUARNIZIONE VETRO ML 4-6        | GLASS GASKET ML 4-6               | SCHEIBENDICHTUNG ML 4-6           | JOINT VITRE ML 4-6                     | JUNTA CRISTAL ML 4-6                  | ПРОКЛАДКА СТЕКЛА ML 4-6              |
| 10  | 95311031           | GUARNIZIONE VETRO ML 6L-9       | GLASS GASKET ML 6L-9              | SCHEIBENDICHTUNG ML 6L-9          | JOINT VITRE ML 6L-9                    | JUNTA CRISTAL ML 6L-9                 | ПРОКЛАДКА СТЕКЛА ML 6L-9             |
| 11  | 95320020           | PROFILO FERMAVETRO ML 4-6       | GLASS BEADING ML 4-6              | SCHEIBENHALTEPROFIL ML 4-6        | PROFIL DE BLOCAGE VITRE ML 4-6         | PERFIL SUJECIÓN CRISTAL ML 4-6        | УПОРНЫЙ ПРОФИЛЬ СТЕКЛА ДВЕРЦЫ ML 4-6 |

| Nr. | Codice Code Código | Descrizione                 | Description                         | Beschreibung                        | Description                              | Descripción                     | Описание                              |
|-----|--------------------|-----------------------------|-------------------------------------|-------------------------------------|--|---------------------------------|---------------------------------------|
| 11  | 95320021           | PROFILO FERMAVETRO ML 6L-9  | GLASS BEADING ML 6L-9               | SCHEIBENHALTEPROFIL ML 6L-9         | PROFIL DE BLOCAGE VITRE ML 6L-9          | PERFIL SUJECIÓN CRISTAL ML 6L-9 | УПОРНЫЙ ПРОФИЛЬ СТЕКЛА ДВЕРЦЫ ML 6L-9 |
| 12  | 95311000           | ASSIEME PORTA ML 4-6        | DOOR UNIT ML 4-6                    | TÜRENSATZ ML 4-6                    | ENSEMBLE PORTE ML 4-6                    | CONJUNTO DE PUERTA ML 4-6       | МОДУЛЬ ДВЕРЦЫ ML 4-6                  |
| 12  | 95311001           | ASSIEME PORTA ML 6L-9       | DOOR UNIT ML 6L-9                   | TÜRENSATZ ML 6L-9                   | ENSEMBLE PORTE ML 6L-9                   | CONJUNTO DE PUERTA ML 6L-9      | МОДУЛЬ ДВЕРЦЫ ML 6L-9                 |
| 13  | 95310330           | RACCOGLIFARINA ML 4-6       | CRUMB CATCHER ML 4-6                | MEHLAUFFANGLEISTE ML 4-6            | BAC DE RÉCUPÉRATION DE LA FARINE ML 4-6  | RECOGE-HARINA ML 4-6            | НАКОПИТЕЛЬ МУКИ ML 4-6                |
| 13  | 95310331           | RACCOGLIFARINA ML 6L-9      | CRUMB CATCHER ML 6L-9               | MEHLAUFFANGLEISTE ML 6L-9           | BAC DE RÉCUPÉRATION DE LA FARINE ML 6L-9 | RECOGE-HARINA ML 6L-9           | НАКОПИТЕЛЬ МУКИ ML 6L-9               |
| 14  | 95320050           | COLONNA DX ML 1             | RIGHT COLUMN ML 1                   | SÄULE RECHTS ML 1                   | COLONNE DROITE ML 1                      | COLUMNNA DCHA. ML 1             | ПРАВ. КОЛОННА ML 1                    |
| 14  | 95320055           | COLONNA DX ML 2             | RIGHT COLUMN ML 2                   | SÄULE RECHTS ML 2                   | COLONNE DROITE ML 2                      | COLUMNNA DCHA. ML 2             | ПРАВ. КОЛОННА ML 2                    |
| 15  | 95320040           | COLONNA SX ML 1             | LEFT COLUMN ML 1                    | SÄULE LINKS ML 1                    | COLONNE GAUCHE ML 1                      | COLUMNNA IZDA. ML 1             | ЛЕВ.КОЛОННА ML 1                      |
| 15  | 95320045           | COLONNA SX ML 2             | LEFT COLUMN ML 2                    | SÄULE LINKS ML 2                    | COLONNE GAUCHE ML 2                      | COLUMNNA IZDA. ML 2             | ЛЕВ.КОЛОННА ML 2                      |
| 16  | 95311050           | BANCO ML 4-6                | COUNTER ML 4-6                      | BANK ML 4-6                         | BANC ML 4-6                              | BARRA ML 4-6                    | СТОЛ ML 4-6                           |
| 16  | 95311051           | BANCO ML 6L-9               | COUNTER ML 6L-9                     | BANK ML 6L-9                        | BANC ML 6L-9                             | BARRA ML 6L-9                   | СТОЛ ML 6L-9                          |
| 17  | 95311020           | GUARNIZIONE PORTA ML 4-6    | DOOR GASKET ML 4-6                  | TÜRDICHTUNG ML 4-6                  | JOINT PORTE ML 4-6                       | JUNTA PUERTA ML 4-6             | ПРОКЛАДКА ДВЕРЦЫ ML 4-6               |
| 17  | 95311021           | GUARNIZIONE PORTA ML 6L-9   | DOOR GASKET ML 6L-9                 | TÜRDICHTUNG ML 6L-9                 | JOINT PORTE ML 6L-9                      | JUNTA PUERTA ML 6L-9            | ПРОКЛАДКА ДВЕРЦЫ ML 6L-9              |
| 18  | 95310320           | ARCO CAMERA ML 4-6          | OVEN CHAMBER ARCHED PROFILE ML 4-6  | HITZESCHUTZBOGEN BACKKAMMER ML 4-6  | PROFIL EN ARC POUR ENCEINTE ML 4-6       | ARCO CÁMARA ML 4-6              | ДУГА КАМЕРЫ ML 4-6                    |
| 18  | 95310321           | ARCO CAMERA ML 6L-9         | OVEN CHAMBER ARCHED PROFILE ML 6L-9 | HITZESCHUTZBOGEN BACKKAMMER ML 6L-9 | PROFIL EN ARC POUR ENCEINTE ML 6L-9      | ARCO CÁMARA ML 6L-9             | ДУГА КАМЕРЫ ML 6L-9                   |
| 19  | 95310140           | PANNELLO CILINDRO MOLLA ML  | PANEL SPRING ML                     | PANEL FEDER ML                      | PANNEAU DE RESSORT ML                    | PANEL MUELLE ML                 | ПАНЕЛЬ ВЕСНА ML                       |
| 20  | 95310190           | FERMAVETRO SCATOLA LUCE ML  | GLASS HOLDER LIGHT BOX ML           | LICHT KASTEN ML                     | PERLE PLANCHE ML                         | GOTA DE LUZ CAJA ML             | Шарик света BOX ML                    |
| 21  | 91610013           | VETRO BOROSILICATO 180x85x9 | BOROSILICATE GLASS 180x85x9         | BOROSILIKATGLAS 180x85x9            | VERRE BOROSILICATE 180x85x9              | CRISTAL BOROSILICATO 180x85x9   | БОРОСИЛИКАТНОЕ СТЕКЛО 180x85x9        |
| 22  | 95310180           | PANNELLO SX ML 4-6L 1       | LEFT PANEL ML 4-6L 1                | PANEEL LINKS ML 4-6L 1              | PANNEAU GAUCHE ML 4-6L 1                 | PANEL IZDO. ML 4-6L 1           | ЛЕВ.ПАНЕЛЬ ML 4-6L 1                  |

| Nr. | Codice<br>Code<br>Código | Descrizione                          | Description                           | Beschreibung                      | Description                           | Descripción                          | Описание                               |
|-----|--------------------------|--------------------------------------|---------------------------------------|-----------------------------------|---------------------------------------|--------------------------------------|--|
| 22  | 95310181                 | PANNELLO SX ML 6-9 1                 | LEFT PANEL ML 6-9 1                   | PANEEL LINKS ML 6-9 1             | PANNEAU GAUCHE ML 6-9 1               | PANEL IZDO. ML 6-9 1                 | ЛЕВ.ПАНЕЛЬ ML 6-9 1                    |
| 22  | 95310185                 | PANNELLO SX ML 4-6L 2                | LEFT PANEL ML 4-6L 2                  | PANEEL LINKS ML 4-6L 2            | PANNEAU GAUCHE ML 4-6L 2              | PANEL IZDO. ML 4-6L 2                | ЛЕВ.ПАНЕЛЬ ML 4-6L 2                   |
| 22  | 95310186                 | PANNELLO SX ML 6-9 2                 | LEFT PANEL ML 6-9 2                   | PANEEL LINKS ML 6-9 2             | PANNEAU GAUCHE ML 6-9 2               | PANEL IZDO. ML 6-9 2                 | ЛЕВ.ПАНЕЛЬ ML 6-9 2                    |
| 23  | 95310200                 | PANNELLO BOTOLA LUCE ML 1            | LIGHT SOCKET PANEL ML 1               | PANEEL LICHTLUKE ML 1             | PANNEAU VOLET ÉCLAIRAGE ML 1          | PANEL TRAMPILLA LUZ ML 1             | ПАНЕЛЬ ПРОЕМА ML 1                     |
| 23  | 95310205                 | PANNELLO BOTOLA LUCE ML 2            | LIGHT SOCKET PANEL ML 2               | PANEEL LICHTLUKE ML 2             | PANNEAU VOLET ÉCLAIRAGE ML 2          | PANEL TRAMPILLA LUZ ML 2             | ПАНЕЛЬ ПРОЕМА ML 2                     |
| 24  | 95311060                 | STAFFA LAMPADA COMPLETO              | LAMP BRACKET COMPLETE                 | LEUCHE BRACKET<br>KOMPLETTE       | LAMPE SUPPORT COMPLET                 | COMPLETE SOPORTE DE LA LÁMPARA       | Лампы кронштейн ПОЛНАЯ                 |
| 25  | 91310182                 | PORTALAMPADA G4 12V                  | LAMP HOLDER G4 12V                    | LAMPENHALTERUNG G4 12V            | DOUILLE G4 12V                        | PORTALÁMPARA G4 12V                  | БОЛЬШОЙ ЛАМПОВЫЙ<br>ПАТРОН G4 12V      |
| 26  | 91310208                 | LAMPADA ALOGENA GU5.3, 20W, 12V      | HALOGEN LAMP GU5.3, 20W, 12V          | HALOGENLAMPE GU5.3, 20W, 12V      | LAMPE HALOGÈNE GU5.3, 20W, 12V        | LÁMPARA HALÓGENA GU5.3, 20W, 12V     | ГАЛОГЕННАЯ ЛАМПА GU5.3, 20Вт, 12В      |
| 27  | 91410143                 | SUPPORTO UCP 202                     | SUPPORT UCP 202                       | SUPPORT UCP 202                   | SOUTIEN UCP 202                       | APOYO UCP 202                        | ПОДДЕРЖКА UCP 202                      |
| 28  | 95310110                 | COPERCHIO ML 4                       | TOP COVER ML 4                        | ABDECKUNG ML 4                    | COUVERCLE ML 4                        | TAPA ML 4                            | КРЫШКИ ML 4                            |
| 28  | 95310111                 | COPERCHIO ML 6                       | TOP COVER ML 6                        | ABDECKUNG ML 6                    | COUVERCLE ML 6                        | TAPA ML 6                            | КРЫШКИ ML 6                            |
| 28  | 95310112                 | COPERCHIO ML 6L                      | TOP COVER ML 6L                       | ABDECKUNG ML 6L                   | COUVERCLE ML 6L                       | TAPA ML 6L                           | КРЫШКИ ML 6L                           |
| 28  | 95310113                 | COPERCHIO ML 9                       | TOP COVER ML 9                        | ABDECKUNG ML 9                    | COUVERCLE ML 9                        | TAPA ML 9                            | КРЫШКИ ML 9                            |
| 29  | 91711350                 | RESISTENZA SUPERIORE 435 230V 1080W  | UPPER HEATING ELEMENT 435 230V 1080W  | OBERE HEIZELEMENT 435 230V 1080W  | RÉSISTANCE SUPERIEURE 435 230V 1080W  | RESISTENCIA SUPERIOR 435 230V 1080W  | ВЕРХНЕЕ СОПРОТИВЛЕНИЕ 435 230В 1080Вт  |
| 29  | 91711351                 | RESISTENZA SUPERIORE 635 230V 1600W  | UPPER HEATING ELEMENT 635 230V 1600W  | OBERE HEIZELEMENT 635 230V 1600W  | RÉSISTANCE SUPERIEURE 635 230V 1600W  | RESISTENCIA SUPERIOR 635 230V 1600W  | ВЕРХНЕЕ СОПРОТИВЛЕНИЕ 635 230В 1600Вт  |
| 29  | 91711352                 | RESISTENZA SUPERIORE 635L 230V 1620W | UPPER HEATING ELEMENT 635L 230V 1620W | OBERE HEIZELEMENT 635L 230V 1620W | RÉSISTANCE SUPERIEURE 635L 230V 1620W | RESISTENCIA SUPERIOR 635L 230V 1620W | ВЕРХНЕЕ СОПРОТИВЛЕНИЕ 635L 230В 1620Вт |
| 29  | 91711353                 | RESISTENZA SUPERIORE 935 230V 2400W  | UPPER HEATING ELEMENT 935 230V 2400W  | OBERE HEIZELEMENT 935 230V 2400W  | RÉSISTANCE SUPERIEURE 935 230V 2400W  | RESISTENCIA SUPERIOR 935 230V 2400W  | ВЕРХНЕЕ СОПРОТИВЛЕНИЕ 935 230В 2400Вт  |

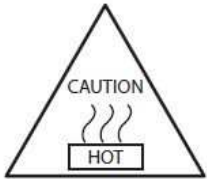
| Nr. | Codice<br>Code<br>Código | Descrizione                             | Description                              | Beschreibung                          | Description                                | Descripción                             | Описание                                 |
|-----|--------------------------|---|--|---------------------------------------|--|---|--|
| 30  | 91711340                 | RESISTENZA INFERIORE 435<br>230V 680W   | LOWER HEATING ELEMENT<br>435 230V 680W   | UNTERE HEIZELEMENT 435<br>230V 680W   | RÉSISTANCE INFERIEURE 435<br>230V 680W     | RESISTENCIA INFERIOR 435<br>230V 680W   | НИЖНЕЕ СОПРОТИВЛЕНИЕ<br>435 230В 680ВТ   |
| 30  | 91711341                 | RESISTENZA INFERIORE 635<br>230V 1000W  | LOWER HEATING ELEMENT<br>635 230V 1000W  | UNTERE HEIZELEMENT 635<br>230V 1000W  | RÉSISTANCE INFERIEURE 635<br>230V 1000W    | RESISTENCIA INFERIOR 635<br>230V 1000W  | НИЖНЕЕ СОПРОТИВЛЕНИЕ<br>635 230В 1000ВТ  |
| 30  | 91711342                 | RESISTENZA INFERIORE 635L<br>230V 1020W | LOWER HEATING ELEMENT<br>635L 230V 1020W | UNTERE HEIZELEMENT 635L<br>230V 1020W | RÉSISTANCE INFERIEURE<br>635L 230V 1020W   | RESISTENCIA INFERIOR 635L<br>230V 1020W | НИЖНЕЕ СОПРОТИВЛЕНИЕ<br>635L 230В 1020ВТ |
| 30  | 91711343                 | RESISTENZA INFERIORE 935<br>230V 1500W  | LOWER HEATING ELEMENT<br>935 230V 1500W  | UNTERE HEIZELEMENT 935<br>230V 1500W  | RÉSISTANCE INFERIEURE 935<br>230V 1500W    | RESISTENCIA INFERIOR 935<br>230V 1500W  | НИЖНЕЕ СОПРОТИВЛЕНИЕ<br>935 230В 1500ВТ  |
| 31  | 95310120                 | INTERCAPEDINE<br>POSTERIORE ML 4-6 1    | BACK PARTITION ML 4-6 1                  | BACKKAMMER HÜLLE ML 4-6 1             | PANNEAU DE DIVISION<br>ARRIÈRE ML 4-6 1    | INTERSTICIO TRASERO ML 4-6<br>1         | ЗАДНИЙ ПРОСЛОЕК ML 4-6 1                 |
| 31  | 95310121                 | INTERCAPEDINE<br>POSTERIORE ML 6L-9 1   | BACK PARTITION ML 6L-9 1                 | BACKKAMMER HÜLLE ML 6L-9<br>1         | PANNEAU DE DIVISION<br>ARRIÈRE ML 6L-9 1   | INTERSTICIO TRASERO ML 6L-<br>9 1       | ЗАДНИЙ ПРОСЛОЕК ML 6L-9 1                |
| 31  | 95310125                 | INTERCAPEDINE<br>POSTERIORE ML 4-6 2    | BACK PARTITION ML 4-6 2                  | BACKKAMMER HÜLLE ML 4-6 2             | PANNEAU DE DIVISION<br>ARRIÈRE ML 4-6 2    | INTERSTICIO TRASERO ML 4-6<br>2         | ЗАДНИЙ ПРОСЛОЕК ML 4-6 2                 |
| 31  | 95310126                 | INTERCAPEDINE<br>POSTERIORE ML 6L-9 2   | BACK PARTITION ML 6L-9 2                 | BACKKAMMER HÜLLE ML 6L-9<br>2         | PANNEAU DE DIVISION<br>ARRIÈRE ML 6L-9 2   | INTERSTICIO TRASERO ML 6L-<br>9 2       | ЗАДНИЙ ПРОСЛОЕК ML 6L-9 2                |
| 32  | 95310210                 | PANNELLO DX 4-6L 1                      | RIGHT PANEL 4-6L 1                       | PANEEL RECHTS 4-6L 1                  | PANNEAU DROIT 4-6L 1                       | PANEL DCHO. 4-6L 1                      | ПРАВ.ПАНЕЛЬ 4-6L 1                       |
| 32  | 95310211                 | PANNELLO DX 6-9 1                       | RIGHT PANEL 6-9 1                        | PANEEL RECHTS 6-9 1                   | PANNEAU DROIT 6-9 1                        | PANEL DCHO. 6-9 1                       | ПРАВ.ПАНЕЛЬ 6-9 1                        |
| 32  | 95310215                 | PANNELLO DX 4-6L 2                      | RIGHT PANEL 4-6L 2                       | PANEEL RECHTS 4-6L 2                  | PANNEAU DROIT 4-6L 2                       | PANEL DCHO. 4-6L 2                      | ПРАВ.ПАНЕЛЬ 4-6L 2                       |
| 32  | 95310216                 | PANNELLO DX 6-9 2                       | RIGHT PANEL 6-9 2                        | PANEEL RECHTS 6-9 2                   | PANNEAU DROIT 6-9 2                        | PANEL DCHO. 6-9 2                       | ПРАВ.ПАНЕЛЬ 6-9 2                        |
| 33  | 95310290                 | SCHIENA 4-6 1                           | REAR PANEL 4-6 1                         | RÜCKWAND 4-6 1                        | FOND 4-6 1                                 | TRASERA 4-6 1                           | ЗАДНЯЯ ПАНЕЛЬ 4-6 1                      |
| 33  | 95310291                 | SCHIENA 6L-9 1                          | REAR PANEL 6L-9 1                        | RÜCKWAND 6L-9 1                       | FOND 6L-9 1                                | TRASERA 6L-9 1                          | ЗАДНЯЯ ПАНЕЛЬ 6L-9 1                     |
| 33  | 95310295                 | SCHIENA 4-6 2                           | REAR PANEL 4-6 2                         | RÜCKWAND 4-6 2                        | FOND 4-6 2                                 | TRASERA 4-6 2                           | ЗАДНЯЯ ПАНЕЛЬ 4-6 2                      |
| 33  | 95310296                 | SCHIENA 6L-9 2                          | REAR PANEL 6L-9 2                        | RÜCKWAND 6L-9 2                       | FOND 6L-9 2                                | TRASERA 6L-9 2                          | ЗАДНЯЯ ПАНЕЛЬ 6L-9 2                     |
| 34  | 91410030                 | SFERA CAMINO                            | VENT DISC                                | KUGEL DAMPFABLASS                     | SPHÈRE CHEMINÉE                            | ESFERA CHIMENEA                         | ШАРИК ДЫМОВОЙ ТРУБЫ                      |
| 35  | 95310070                 | SCORREVOLE CAMINO ML 4-6                | SLIDING FLUE ML 4-6                      | GLEITELEMENT<br>DAMPFABLASS ML 4-6    | ÉLÉMENT DE COULISSEMENT<br>CHEMINÉE ML 4-6 | CORREDERA CHIMENEA ML 4-<br>6           | НАПРАВЛЯЮЩАЯ ДЫМОВОЙ<br>ТРУБЫ ML 4-6     |

| Nr. | Codice<br>Code<br>Código | Descrizione                  | Description                         | Beschreibung                             | Description                                 | Descripción                          | Описание                           |
|-----|--------------------------|------------------------------|-------------------------------------|--|---|--------------------------------------|------------------------------------|
| 35  | 95310071                 | SCORREVOLE CAMINO ML 6L-9    | SLIDING FLUE ML 6L-9                | GLEITELEMENT<br>DAMPFABLASS ML 6L-9      | ÉLÉMENT DE COULISSEMENT<br>CHEMINÉE ML 6L-9 | CORREDERA CHIMENEA ML 6L-9           | НАПРАВЛЯЮЩАЯ ДЫМОВОЙ ТРУБЫ ML 6L-9 |
| 36  | 95310240                 | SCATOLA COMANDI ML 4-6L 1    | CONTROL UNIT ML 4-6L 1              | SCHALTKASTEN ML 4-6L 1                   | BOÎTIER COMMANDES ML 4-6L 1                 | CAJA DE CONTROL ML 4-6L 1            | КОРОБКА УПРАВЛЕНИЯ ML 4-6L 1       |
| 36  | 95310241                 | SCATOLA COMANDI ML 6-9 1     | CONTROL UNIT ML 6-9 1               | SCHALTKASTEN ML 6-9 1                    | BOÎTIER COMMANDES ML 6-9 1                  | CAJA DE CONTROL ML 6-9 1             | КОРОБКА УПРАВЛЕНИЯ ML 6-9 1        |
| 36  | 95310245                 | SCATOLA COMANDI ML 4-6L 2    | CONTROL UNIT ML 4-6L 2              | SCHALTKASTEN ML 4-6L 2                   | BOÎTIER COMMANDES ML 4-6L 2                 | CAJA DE CONTROL ML 4-6L 2            | КОРОБКА УПРАВЛЕНИЯ ML 4-6L 2       |
| 36  | 95310246                 | SCATOLA COMANDI ML 6-9 2     | CONTROL UNIT ML 6-9 2               | SCHALTKASTEN ML 6-9 2                    | BOÎTIER COMMANDES ML 6-9 2                  | CAJA DE CONTROL ML 6-9 2             | КОРОБКА УПРАВЛЕНИЯ ML 6-9 2        |
| 37  | 91510224                 | PRESSACAVO PG 29             | CABLE CLAMP PG 29                   | ZUGENTLASTUNG PG 29                      | SERRE-CÂBLE PG 29                           | SUJETACABLE PG 29                    | КАБЕЛЬНЫЙ ЗАЖИМ PG 29              |
| 38  | 91310320                 | VENTOLA DI<br>RAFFREDDAMENTO | COOLING FAN                         | KÜHLGEBLÄSE                              | VENTILATEUR DE<br>REFROIDISSEMENT           | VENTILADOR DE<br>ENFRIAMIENTO        | ВЕНТИЛЯТОР                         |
| 39  | 92012200                 | FLANGIA PVC PERNO CAMINO     | FLUE PIVOT PVC FLANGE               | FLANSCH AUS PVC FÜR STIFT<br>DAMPFABLASS | BRIDE PVC GOUJON<br>CHEMINÉE                | BRIDA PVC PERNO CHIMENEA             | ФЛАНЕЦ ПВХ ШТЫРЯ ДЫМОВОЙ ТРУБЫ     |
| 40  | 95310340                 | SOSTEGNO MOTORE CAMINO       | FLUE MOTOR SUPPORT                  | MOTOR DAMPFABLASS<br>SUPPORT             | SUPPORT CHEMINÉE<br>MOTEUR                  | APOYO MOTOR CHIMENEA                 | ПОДДЕРЖКА ДВИГАТЕЛЬ ДЫМОВОЙ ТРУБЫ  |
| 41  | 91310530                 | MOTORE CAMINO                | FLUE MOTOR                          | MOTOR DAMPFABLASS                        | MOTEUR CHEMINÉE                             | MOTOR CHIMENEA                       | ДВИГАТЕЛЬ ДЫМОВОЙ ТРУБЫ            |
| 42  | 92012190                 | FLANGIA MOTORE CAMINO        | FLUE MOTOR FLANGE                   | FLANSCH MOTOR<br>DAMPFABLASS             | BRIDE MOTEUR CHEMINÉE                       | BRIDA MOTOR CHIMENEA                 | ФЛАНЕЦ ДВИГАТЕЛЯ ДЫМОВОЙ ТРУБЫ     |
| 43  | 91410040                 | SNODO CAMINO                 | FLUE THROUGH-JOINT                  | GELENK DAMPFABLASS                       | ARTICULATION CHEMINÉE                       | ARTICULACIÓN CHIMENEA                | ШАРНИР ДЫМОВОЙ ТРУБЫ               |
| 44  | 91310235                 | MORSETTIERA G5/12            | G5/12 TERMINAL BOARD                | KLEMMENBRETT G5/12                       | BORNIER G5/12                               | REGLETA DE BORNES G5/12              | КЛЕММНАЯ КОЛОДКА G5/12             |
| 45  | 91310231                 | MORSETTIERA G10/5 TRIFASE    | THREE-PHASE G10/5<br>TERMINAL BOARD | KLEMMENBRETT G10/5<br>DREIPHASIG         | BORNIER G10/5 TRIPHASÉ                      | REGLETA DE BORNES G10/5<br>TRIFÁSICA | ТРЕХФАЗНАЯ КЛЕММНАЯ КОЛОДКА G10/5  |
| 46  | 91310136                 | CONTATTORE BF9.10.230        | CONTACTOR BF9.10.230                | SCHÜTZ BF9.10.230                        | CONTACTEUR BF9.10.230                       | CONTACTOR BF9.10.230                 | КОНТАКТОР BF9.10.230               |
| 47  | 91310097                 | INTERRUTTORE TERMICO NC 50°  | THERMAL SWITCH NC 50°               | TEMPERATURSCHALTER NC 50°                | INTERRUPTEUR THERMIQUE NC 50°               | INTERRUPTOR TÉRMICO NC 50°           | ТЕПЛОВЫКЛЮЧАТЕЛЬ NC 50°            |
| 48  | 91310511                 | PORTAFUSIBILE                | FUSE BOX                            | SICHERUNGSHALTERUNG                      | PORTE-FUSIBLE                               | PORTAFUSIBLE                         | ПЛАВКАЯ ВСТАВКА ПРЕДОХРАНИТЕЛЯ     |

| Nr. | Codice<br>Code<br>Código | Descrizione                             | Description                           | Beschreibung                                      | Description                                | Descripción                                 | Описание                                |
|-----|--------------------------|---|---------------------------------------|---|--|---|---|
| 49  | 91310504                 | FUSIBILE 5A                             | FUSE 5A                               | SICHERUNG 5A                                      | FUSIBLE 5A                                 | FUSIBLE 5A                                  | ПЛАВКИЙ ПРЕДОХРАНИТЕЛЬ 5А               |
| 50  | 95310300                 | FIANCO DX 4-6L 1                        | RIGHT SIDE 4-6L 1                     | SEITENPANEEL RECHTS<br>KAROSSERIE 4-6L 1          | FLANC DROIT 4-6L 1                         | FLANCO DCHO. 4-6L 1                         | ПРАВЯЯ БОКОВИНА 4-6L 1                  |
| 50  | 95310301                 | FIANCO DX 6-9 1                         | RIGHT SIDE 6-9 1                      | SEITENPANEEL RECHTS<br>KAROSSERIE 6-9 1           | FLANC DROIT 6-9 1                          | FLANCO DCHO. 6-9 1                          | ПРАВЯЯ БОКОВИНА 6-9 1                   |
| 50  | 95310305                 | FIANCO DX 4-6L 2                        | RIGHT SIDE 4-6L 2                     | SEITENPANEEL RECHTS<br>KAROSSERIE 4-6L 2          | FLANC DROIT 4-6L 2                         | FLANCO DCHO. 4-6L 2                         | ПРАВЯЯ БОКОВИНА 4-6L 2                  |
| 50  | 95310306                 | FIANCO DX 6-9 2                         | RIGHT SIDE 6-9 2                      | SEITENPANEEL RECHTS<br>KAROSSERIE 6-9 2           | FLANC DROIT 6-9 2                          | FLANCO DCHO. 6-9 2                          | ПРАВЯЯ БОКОВИНА 6-9 2                   |
| 51  | 91310212                 | SONDA TCJ PER FORNI<br>L.=500mm         | TCJ PROBE FOR OVENS<br>L.=1,500 mm    | SONDE TCJ FÜR ÖFEN<br>L.=500mm                    | SONDE TCJ POUR FOURS<br>L.=500mm           | SONDA TCJ PARA HORNOS<br>L.=500mm           | ДАТЧИК ТСЖ ДЛЯ ПЕЧЕЙ<br>L.=500мм        |
| 52  | 91310305                 | SCHEDA DI POTENZA 23A                   | POWER BOARD 23 A                      | LEITERPLATTE 23A                                  | CARTE DE PUISSANCE 23A                     | TARJETA DE POTENCIA 23A                     | СИЛОВАЯ ПЛАТА 23А                       |
| 53  | 91310050                 | TERMOSTATO SICUREZZA<br>MONOFASE        | SINGLE-PHASE SAFETY<br>THERMOSTAT     | EINPHASIGER<br>SICHERHEITSTHERMOSTAT              | THERMOSTAT DE SÉCURITÉ<br>MONOPHASÉ        | TERMOSTATO DE SEGURIDAD<br>MONOFÁSICO       | ОДНОФАЗНЫЙ ЗАЩИТНЫЙ<br>ТЕРМОСТАТ        |
| 54  | 91310254                 | SCHEDA DI CONTROLLO 1T-<br>TIMER        | CONTROL BOARD 1T-TIMER                | KONTROLLKARTE 1T-TIMER                            | CARTE DE CONTRÔLE 1T-<br>TIMER             | TARJETA DE CONTROL 1T-<br>TIMER             | КОНТРОЛЬНАЯ ПЛАТА 1T-<br>TIMER          |
| 55  | 95310280                 | CRUSCOTTO ML 1 DG                       | KEY PANEL ML 1 DG                     | INSTRUMENTENTAFEL ML 1<br>DG                      | BANDEAU ML 1 DG                            | PANEL DE MANDOS ML 1 DG                     | ПУЛЬТ УПРАВЛЕНИЯ ML 1 DG                |
| 55  | 95310285                 | CRUSCOTTO ML 2 DG                       | KEY PANEL ML 2 DG                     | INSTRUMENTENTAFEL ML 2<br>DG                      | BANDEAU ML 2 DG                            | PANEL DE MANDOS ML 2 DG                     | ПУЛЬТ УПРАВЛЕНИЯ ML 2 DG                |
| 57  | 91310051                 | TERMOSTATO DI SICUREZZA                 | SAFETY THERMOSTAT                     | SICHERHEITSTHERMOSTAT                             | THERMOSTAT DE SÉCURITÉ                     | TERMOSTATO DE SEGURIDAD                     | ЗАЩИТНЫЙ ТЕРМОСТАТ                      |
| 58  | 91310258                 | SCHEDA DI CONTROLLO MIN-<br>MAX         | CONTROL BOARD MIN-MAX                 | KONTROLLKARTE MIN-MAX                             | CARTE DE CONTRÔLE MIN-<br>MAX              | TARJETA DE CONTROL MIN-<br>MAX              | КОНТРОЛЬНАЯ ПЛАТА MIN-<br>MAX           |
| 59  | 91310259                 | CD - SCHEDA CONTROLLO<br>CAMINO MIN-MAX | CD - CHIMNEY CONTROL<br>PANEL MIN-MAX | CD - SCHORNSTEIN<br>KOHNTROLL PLATINE MIN-<br>MAX | CD - CARTE DE CONTRÔLE<br>CHEMINÉE MIN-MAX | CD - TARJETA DE CONTROL<br>CHIMENEA MIN-MAX | CD - КОНТРОЛЬНАЯ ПЛАТА<br>КАМИН MIN-MAX |
| 60  | 95310270                 | CRUSCOTTO ML 1 CD                       | KEY PANEL ML 1 CD                     | INSTRUMENTENTAFEL ML 1<br>CD                      | BANDEAU ML 1 CD                            | PANEL DE MANDOS ML 1 CD                     | ПУЛЬТ УПРАВЛЕНИЯ ML 1 CD                |
| 60  | 95310275                 | CRUSCOTTO ML 2 CD                       | KEY PANEL ML 2 CD                     | INSTRUMENTENTAFEL ML 2<br>CD                      | BANDEAU ML 2 CD                            | PANEL DE MANDOS ML 2 CD                     | ПУЛЬТ УПРАВЛЕНИЯ ML 2 CD                |



| Nr. | Codice<br>Code<br>Código | Descrizione  | Description                                     | Beschreibung   | Description   | Descripción  | Описание   |
|-----|--------------------------|--|---|--|---|--|--|
| 62  | 91310356                 | TRASFORMATORE<br>230Vac/12Vac, 50VA, 50 - 60Hz<br>CE | 230Vac/12Vac, 50VA, 50 - 60Hz<br>EC TRANSFORMER | TRANSFORMATOR<br>230VAC/12VAC, 50VA, 50 -<br>60Hz CE | TRANSFORMATEUR<br>230Vac/12Vac, 50VA, 50 - 60Hz<br>CE | TRANSFORMADOR<br>230Vac/12Vac, 50VA, 50 - 60Hz<br>CE | ТРАНСФОРМАТОР 230В<br>пер.тока/12В пер.тока, 50ВА, 50<br>- 60Гц CE |
| 63  | 91610140                 | MATTONE ML 4-6L 358X716                              | SLAB ML 4-6L 358X716                            | STEIN ML 4-6L 358X716                                | BRIQUE ML 4-6L 358X716                                | LADRILLO ML 4-6L 358X716                             | КИРПИЧ ML 4-6L 358X716   |
| 63  | 91610141                 | MATTONE ML 6-9 358X1074                              | SLAB ML 6-9 358X1074                            | STEIN ML 6-9 358X1074                                | BRIQUE ML 6-9 358X1074                                | LADRILLO ML 6-9 358X1074                             | КИРПИЧ ML 6-9 358X1074   |
| 64  | 95310310                 | PROFILO FERMAPIETRE - ML<br>4-6                      | GLAZING BEAD PROFILE - ML<br>4-6                | STEINHALTEPROFIL - ML 4-6                            | PROFIL DE BLOCAGE DES<br>PIERRES - ML 4-6             | PERFIL SUJECIÓN PIEDRAS -<br>ML 4-6                  | УДЕРЖИВАЮЩИЙ ПРОФИЛЬ<br>КАМНЕЙ - ML 4-6                            |
| 64  | 95310311                 | PROFILO FERMAPIETRE - ML<br>6L-9                     | GLAZING BEAD PROFILE - ML<br>6L-9               | STEINHALTEPROFIL - ML 6L-9                           | PROFIL DE BLOCAGE DES<br>PIERRES - ML 6L-9            | PERFIL SUJECIÓN PIEDRAS -<br>ML 6L-9                 | УДЕРЖИВАЮЩИЙ ПРОФИЛЬ<br>КАМНЕЙ - ML 6L-9                           |

**ATTENZIONE:**

Rischio di superficie ustionante

**WARNING:**

Risk of blistering surface

**WARNUNG:**

Gefahr von Blasenbildung

Oberfläche

**ATTENTION:**

Risque de brûlures

**ATENCIÓN:**

Riesgo de quemaduras

**ВНИМАНИЕ:**

Риск поверхности пузырей

**ATTENZIONE:**

Rischio di fulminazione

**WARNING:**

Risk of Electric Shock

**WARNUNG:**

Stromschlaggefahr

**ATTENTION:**

Risque d'électrocution

**ATENCIÓN:**

Riesgo de electrocución

**ВНИМАНИЕ:**

Риск поражения

электрическим током



Equipotenziale

Equipotential

Equipotentialline

Équipotentielle

Equipotencial

Эквипотенциальный

**ATTENZIONE**

Prima di utilizzare l'apparecchiatura leggere attentamente il manuale

**ATTENTION**

Before using the appliance, carefully read the enclosed booklet.

**ACHTUNG**

Vor inbetriebnahme des Gerätes, die beiliegende Betriebsanleitung aufmerksam lesen.

**ATTENTION**

Avant d'utiliser l'appareil, lire attentivement le mode d'emploi ci-joint.

**CUIDADO**

Antes de utilizar la máquina, leer atentamente el manual adjunto.

**ВНИМАНИЕ**

Перед использованием прибора внимательно прочитайте прилагаемую брошюру.

