



**MOD : G9/TA8-N**

**Production code : DITPG98A**

**09/2023**

CODICE - CODE - CODE - CÓDIGO - KOD - КОД - KODE	N° 200768
EDIZIONE - EDITION - EDITION - EDICIÓN - AUSGABE - EDIÇÃO - WYDANIE - EDITIE - UTGAVE - UTGÅVA- KIA- DAS	Rev. 1 - 03/2022
TIPO DI DOCUMENTO - TYPE OF DOCUMENT - TYPE DE DOCUMENT - TIPO DE DOCUMENTO - DOKUMENTTYP - TIPO DE DOCUMENTO - TYP DOKUMENTU - DOCUMENT- TYPE - ТИП ДОКУМЕНТА - TYPE DOKUMENT - TYP AV DOKUMENT	M.I.U. / manuale di installazione e uso / installation and user manual
MODELLO - MODEL - MODÈLE - MODELO - MODELL - МОДЕЛЬ - MODELL - MODELL	GAS / GAZ
ANNO - YEAR - ANNÉE - AÑO - ANO - ROK - JAAR - ГОД - BYGGEÅR - ÅR - ÉVE	2022
CONFORMITÀ - CONFORMITY - CONFORMITÉ - CONFORMIDAD - KONFORMITÄT - CONFORMIDADE - ZGODNOŚĆ - CONFORMITEIT - MEGFELELÉSÉRT	CE

## TARGA DI IDENTIFICAZIONE - IDENTIFICATION PLATE

**A - Indirizzo Costruttore** - Manufacturer's Address

**B - Apparecchiatura Elettrica** - Electrical Appliance

**C - Apparecchiatura Gas** - Gas Appliance

<b>A</b>	MADE IN EU COMMERCIAL COOKING EQUIPMENT	<b>CE</b>
	REA 1523814 ITALY	
V	MODEL MOD M	<b>B</b>
Hz	SE NO. NUM. S	
		DR

<b>A</b>	Mod.	SN° DR							
	V	Hz	kW Type						
Cat.	ES-ES-IE	PT	PL	FR-BE	NL	MT-CY	AT-CH		
Pr (mbar)	I2H3+	I2H3+	I2E3P	I2E4+	I2L3P	I3BP	I2H3BP		
	20,29/37	20,29/37,50/67	20,37	20/25,29/37	25,37,50	30	20,50		
Cat.	LU	NO-EE-LT-SK-SI-TR	GR	DE	AL-IS-DK-FI-SE-BG	LV			
Pr (mbar)	I2E3P	I2H3P		I2E2L3BP	I2H3BP	I2H			
	20,37,50	20		20,20,50	20,30	20			
<b>CE</b>	EN203-1 0694	PIN N° BL2792	G23	m³/h	G30	Kg/h	m³/h	G31	Kg/h

## NORMATIVE / STANDARDS OF REFERENCE

/ **Reg. 2016/426/CE (GAR)** / EN 437 EN 203-1 EN 203-2-1 EN 203-2-2  
EN 203-2-9

/ **Dir. 2014/35/EU (LVD)** / EN 62233; EN 60335-1 EN 60335-2-36 + A1 +  
A2 + A11 EN 60335-2-42 EN 60335-2-102

/ **Dir. 2014/30/EU (EMC)** / EN 55014-1 + A1 + A2 EN55014-2 + A1+ A2  
EN61000-3-2 + A1 + A2 EN61000-3-3

/ **Dir. 2011/65/EU (ROHS II)** / **Dir. 2012/19/EU (WEEE)**

/ **Reg. 1935/2004/CE (MOCA)**

**/ 700 - TECHNICAL DATA**

MODELLO	Portata termica		Forno 6 kW	Piastra 10 kW	Attacco gas Ø "	Forno elettrico (kW)	Al. ele	Peso (kg)
	5,5 kW	7 kW						
MODEL	Thermal range		Oven 6 kW	Plate 10 kW	Gas coupling Ø "	Ele. oven (kW)	Ele. supply	Weight (kg)
	5,5 kW	7 kW						
<b>SU ARMADIO / ON CABINET</b>								
FB74AXS	2	-	-		1/2"	-	-	43
FB77AXS	4	-	-		1/2"	-	-	67
FB711AXS	6	-	-		1/2"	-	-	94
FB74AXL	-	2	-		1/2"	-	-	43
FB77AXL	-	4	-		1/2"	-	-	67
FB711AXL	-	6	-		1/2"	-	-	94
FB711MA4XL	-	4	-	1(5,5)	1/2"	-	-	-
TPG77A			-	1	1/2"	-	-	83
<b>SU FORNO / ON OVEN</b>								
FB77FGXS	4	-	1		1/2"	-	-	94
FB77FEXS	4	-	-		1/2"	5.3	380/415V 3N, 50/60 Hz	95
FB77FEVXS	4	-	-		1/2"	2.6	230V, 1N, 50/60 Hz	87
FB711AFGXs	6	-	1		1/2"	-	-	131
FB711FGMXS	6	-	1 (8 kW)		1/2"	-	-	121
FB711AFEXS	6	-	-		1/2"	5.3	380/415V 3N, 50/60 Hz	134
FB77FGXL	-	4	1		1/2"	-	-	94
FB77FEXL	-	2	-	-	1/2"	5.3	380/415V 3N, 50/60 Hz	95
FB77FEVXL	-	2	-	-	1/2"	2.6	230V, 1N, 50/60 Hz	87
FB711AFGXL		6	1	-	1/2"	-	-	131
FB711FGMXL	-	6	1 (8 kW)	-	1/2"	-	-	121
FB711AFEXL	-	6	-	-	1/2"	5.3	380/415V 3N, 50/60 Hz	134



MODELLO	Portata termica		Forno 6 kW	Piastra 10 kW	Attacco gas Ø "	Forno elettrico (kW)	Al. ele	Peso (kg)
	5,5 kW	7 kW						
MODEL	Thermal range		Oven 6 kW	Plate 10 kW	Gas coupling Ø "	Ele. oven (kW)	Ele. supply	Weight (kg)
	5,5 kW	7 kW						

**SU FORNO / ON OVEN**

FB711MFG4XL	-	4	1	1(5,5)	1/2"	-	-	150
TPG711FG2XL	-	2	1	1	1/2"	-	-	160
TPG77FG	-	-	1	1	1/2"	-	-	116
TPG7152FG4XL	-	4	2	1	1/2"	-	-	320

**TOP**

FB74TXS	2	-	-	-	1/2"	-	-	32
FB77TXS	4	-	-	-	1/2"	-	-	54
FB711TXS	6	-	-	-	1/2"	-	-	70
FB74TXL	-	2	-	-	1/2"	-	-	32
FB77TXL	-	4	-	-	1/2"	-	-	54
FB711TXL	-	6	-	-	1/2"	-	-	70
TPG77T	-	-	-	1	1/2"	-	-	68
TPG711T2XL	-	2	-	1	1/2"	-	-	100
TPG715T4XL	-	4	-	1	1/2"	-	-	122

MODEL	Dim. forno / oven (cm)	Pot. / Power (kW)	Tipo di alimentazione / Power supply						Forno / oven ele. (kW)	Grill (kW)
			380/415 V ~ 3N 50-60 Hz		220/240 V ~ 3 50-60 Hz		220/240 V ~ 1N 50-60 Hz			
			Ass A/F	n. cavi / cables x mm <sup>2</sup>	Ass A/F	n. cavi / cables x mm <sup>2</sup>	Ass A/F	n. cavi / cables x mm <sup>2</sup>		
<b>SU FORNO / ON OVEN</b>										
FB77FE...	56x66x31	5,3	8	5x2,5	13	4x2,5	23	3x4	3,8	1,5
FB77FEV...	56x66x31	2,6	11	5x1,5	19	4x1,5	11	3x1,5	2,6	-
FB711AFE...	56x66x31	5,3	8	5x2,5	13	4x2,5	23	3x4	3,8	1,5



- I diametri degli ugelli sono espressi in 1/100mm – The diameter of the nozzles are indicated in 1/100mm - Le diamètres des gicleurs sont exprimés en 1/100mm - Diameter der Düsen ist in 1/100mm angegeben – Los diámetros de las boquillas se indican en 1/100mm - A fűvökák átmérője 1/100mm-ben van kifejezve

- **RDA**: Regolazione dell'aria primaria; Primary air regulation; Réglage de l'air primaire; Primärluft-einstellung; Regulación de la entrada del aire; Primer levegő szabályozás;  
- **5,5kW**: Bruc.piccolo; Small burner; Petit bruleur; Kleinen brenners; Quemador pequeno; Kis égőfej / **7.0kW**: Bruc.medio; Medium burner; Bruleur moyen; Mittleren brenners; Quemador mediano; Közep. égőfej / **6kW**: Bruc. Forno; Oven burner; Bruleur four; Backofen-brennerduesen; Quemador horno; Égőfej Sütő / **5.5kW\*\***: Bruc.piastra di cottura; Solid top Burner; Bruleur plaques de cuisson; Gluehplatten-brennerduesen; Quemador plancha; Főzőlap égőfej / **8.0kW**: Bruciatore forno maxi; Bruleur four maxi; Backofen-brennerdüsen maxi; Quemador horno maxi; Sütő maxi égőfej / **10kW**: Bruc. Tuttapiastro; Solid top Burner; Bruleur de plaques coupe-feu; Gluehplatten-brennerduesen; Quemador plancha; Égőfej Teli főzőlap

**/ 900 - TECHNICAL DATA**

MODELLO	Portata termica			Forno 7 kW	Piastra 12 kW	Attacco gas Ø "	Forno elettrico (kW)	Al. ele	Peso (kg)
	5,5 kW	7 kW	11 kW						
MODEL	Thermal range			Oven 7 kW	Plate 12 kW	Gas coupling Ø "	Ele. oven (kW)	Ele. supply	Weight (kg)
	5,5 kW	7 kW	11 kW						
<b>SU ARMADIO / ON CABINET</b>									
<b>FB94AXXS</b>	2	-	-	-		1/2"	-	-	51
<b>FB94AXL</b>	-	1	1	-		1/2"	-	-	51
<b>FB94AXXL</b>			2			1/2"			51
<b>FB98AXXS</b>	4	-	-	-		1/2"	-	-	80
<b>FB98AXL</b>	-	2	2	-		1/2"	-	-	80
<b>FB98AXXL</b>	-	1	3	-		1/2"	-	-	80
<b>FB912AXXS</b>	6	-	-	-		1/2"	-	-	113
<b>FB912AXXL</b>	-	3	3	-		1/2"	-	-	113
<b>TPG98A</b>				-	1	1/2"	-	-	100
<b>SU FORNO / ON OVEN</b>									
<b>FB98FGXXS</b>	4	-	-	1		1/2"	-	-	112
<b>FB98FGXL</b>	-	2	2	1		1/2"	-	-	112
<b>FB98FGXXL</b>	-	1	3	1		1/2"	-	-	112
<b>FB98FEXXS</b>	4	-	-	-		1/2"	6	380/415V 3N, 50/60 Hz	112
<b>FB98FEXL</b>	-	2	2	-		1/2"	6	380/415V 3N, 50/60 Hz	112
<b>FB912AFGXXL</b>	-	3	3	1		1/2"	-	-	153
<b>FB912AFEXXS</b>	6	-	-	-		1/2"	6	380/415V 3N, 50/60 Hz	153
<b>FB912AFEXXL</b>	-	3	3	-		1/2"	6	380/415V 3N, 50/60 Hz	153
<b>FB912FGMXXL</b>	-	3	3	1(10kW)		1/2"	-	-	180
<b>FB912FGMGXXL</b>	-	3	3	1(10kW)		1/2"	5 (grill)	380/415V 3N, 50/60 Hz	182
<b>TPG98FG</b>				1	1	1/2"	-	-	125
<b>TPG912FGXL</b>	-	1	1	1	1	1/2"	-	-	180

MODELLO	Portata termica			Forno 7 kW	Piastra 12 kW	Attacco gas Ø "	Forno elettrico (kW)	Al. ele	Peso (kg)
	5,5 kW	7 kW	11 kW						
MODEL	Thermal range			Oven 7 kW	Plate 12 kW	Gas coupling Ø "	Ele. oven (kW)	Ele. supply	Weight (kg)
	5,5 kW	7 kW	11 kW						
<b>TOP</b>									
<b>FB94TXXS</b>	2	-	-	-	-	1/2"	-	-	43
<b>FB94TXL</b>	-	1	1	-	-	1/2"	-	-	43
<b>FB94TXXL</b>	-	-	2	-	-	1/2"	-	-	43
<b>FB98TXXS</b>	4	-	-	-	-	1/2"	-	-	71
<b>FB98TXL</b>	-	2	2	-	-	1/2"	-	-	71
<b>FB98TXXL</b>	-	1	3	-	-	1/2"	-	-	71
<b>FB912TXXS</b>	6	-	-	-	-	1/2"	-	-	99
<b>FB912TXXL</b>	-	3	3	-	-	1/2"	-	-	99
<b>TPG98T</b>				-	1	1/2"	-	-	85

MODEL	Dim. forno / oven (cm)	Pot. / Power (kW)	Tipo di alimentazione / Power supply						Forno / oven ele. (kW)	Grill (kW)
			380/415 V ~ 3N 50-60 Hz		220/240 V ~ 3 50-60 Hz		220/240 V ~ 1N 50-60 Hz			
			Ass A/F	n. cavi / cables x mm <sup>2</sup>	Ass A/F	n. cavi / cables x mm <sup>2</sup>	Ass A/F	n. cavi / cables x mm <sup>2</sup>		
<b>SU FORNO / ON OVEN</b>										
<b>FB98FE...</b>	54x69,5x32	6	9	5x2,5	15	4x2,5	26	3x4	3,8	2,2
<b>FB912AFE...</b>	54x69,5x32	6	9	5x2,5	15	4x2,5	26	3x4	3,8	2,2
<b>FB912FGMG...</b>	100x69,5x32	5	7	5x4	13	4x2,5	22	3x4	-	5



- I diametri degli ugelli sono espressi in 1/100mm – The diameter of the nozzles are indicated in 1/100mm - Le diamètres des gicleur sont exprimés en 1/100mm - Diameter der Düsen ist in 1/100mm angegeben – Los diámetros de las boquillas se indican en 1/100mm - A fűvókák átmérője 1/100mm-ben van kifejezve

- **RDA**: Regolazione dell'aria primaria; Primary air regulation; Réglage dell'air primaire; PrimärluftEinstellung; Regulación de la entrada del aire; Primer levegő szabályozás;  
 - **5,5kW**: Bruc.piccolo; Small burner; Petit bruleur; Kleinen brenners; Quemador pequeño; Kis égőfej / **7.0kW**: Bruc.medio; Medium burner; Bruleur moyen; Mittleren brenners; Quemador mediano; Közep. égőfej / **11kW**: Bruc.grande; Large burner; Bruleur grand; Große brenners; Quemador grande / **7kW**: Bruciatore forno; Bruleur four; Backofen-brennerdüsen; Quemador horno; Sütő égőfej/ **10kW**: Bruciatore forno maxi; Bruleur four maxi; Backofen-brennerdüsen maxi; Quemador horno maxi; Sütő maxi égőfej / **12kW**: Bruc. Tuttapiastro; Solid top Burner; Bruleur de plaques coupe-feu; Gluehplatten-brennerduesen; Quemador plancha; Egőfej Teli főzőlap

## / 700 - TECHNICAL DATA

AT / Austria  
 AL / Albania  
 BE / Belgium  
 BG / Bulgaria  
 CH / Switzerland  
 CY / Cyprus  
 CZ / Czech Rep.  
 DE / Germany  
 DK / Denmark

EE / Estonia  
 ES / Spain  
 FI / Finland  
 FR / France  
 GB / UK  
 GR / Greece  
 HR / Croatia  
 HU / Hungary  
 IE / Ireland

IS / Iceland  
 IT / Italy  
 LT / Lithuania  
 LV / Latvia  
 LU / Luxembourg  
 MK / Macedonia  
 MT / Malta  
 NL / Netherland  
 NO / Norway

PL / Poland  
 PT / Portugal  
 RO / Romania  
 SE / Sweden  
 SI / Slovenia  
 SK / Slovakia  
 TR / Turkey

IT, IE, GR, GB, ES, PT, BG, CZ, DK, FI, EE, SE, HR,  
 LT, LU, LV, NO, PL, RO, SI, SK, TR, AL, MK, CH

Modelli – Models			5,5 kW	7,0 kW	6,0 kW	5,5 kW**	8 kW	10 kW
Tipo – Type <b>A1</b>								
<b>Potenza nominale - Nominal thermal power</b>	<b>(kW)</b>		5,5 (6 kW G30/31)	7 (6 kW G30/31)	6	5.5	8	10
<b>Consumo gas - Gasconsumption</b>	<b>G20</b>	<b>m³/h</b>	0,582	0,740	0,635	0,582	0,846	1,057
	<b>G30/ G31</b>	<b>kg/h</b>	0,473/ 0,466	0,473/ 0,466	0,473/ 0,466	0,434/ 0,427	0,630/ 0,621	0,788/ 0,776
<b>Bruciatore principale - Main burner</b>	<b>G20 20 mbar*</b>		165/250K	195L	185K	170K	205L	235K
<b>R.D.A.-X mm</b>					15	20	15	
<b>BY PASS-Ø-1/100mm</b>			80	85	95	95	100	180
<b>Bruciatore pilota - Pilot burner (max 0,25 kW)</b>	<b>G20 20 mbar*</b>		35	35	36	27	36	36
<b>Bruciatore principale - Main burner</b>	<b>G30/G31 28-30/37 mbar* G30/G31 30/30 mbar* G31 37 mbar*</b>		120K	120K	125K	115K	145K	155K
<b>R.D.A.-X mm</b>					15	20	8	
<b>BY PASS-Ø-1/100mm</b>			75	75	65	65	80	100
<b>Bruciatore pilota Pilot burner (max 0,25 kW)</b>	<b>G30/G31 28-30/37 mbar* G30/G31 30/30 mbar* G31 37 mbar*</b>		21	21	19	19	19	19

\*Pressione gas alla rampa / Inlet gas pressure

\*\* 5,5kW: Bruc. Mijotage; Mijotage Burner

<b>AT, CH</b>								
Modelli – Models		<b>5,5 kW</b>	<b>7,0 kW</b>	<b>6,0 kW</b>	<b>5,5 kW**</b>	<b>8 kW</b>	<b>10 kW</b>	
Tipo – Type <b>A1</b>								
<b>Potenza nominale - Nominal thermal power</b>	<b>(kW)</b>		5,5	7	6	5,5	8	10
<b>Consumo gas - Gasconsumption</b>	<b>G20</b>	<b>m³/h</b>	0,582	0,740	0,635	0,582	0,846	1,057
	<b>G30/ G31</b>	<b>kg/h</b>	0,433/ 0,427	0,552/ 0,543	0,473/ 0,466	0,434/ 0,427	0,630/ 0,621	0,788/ 0,776
<b>Bruciatore princ - Main burner</b>	<b>G20 20 mbar*</b>		165/250K	195L	185K	170K	205L	235K
<b>R.D.A.-X mm</b>					15	20	15	
<b>BY PASS-Ø-1/100mm</b>			80	85	95	95	100	180
<b>Bruciatore pilota - Pilot burner (max 0,25 kW)</b>	<b>G20 20 mbar*</b>		35	35	36	27	36	36
<b>Bruciatore principale - Main burner</b>	<b>G30/G31 50 mbar*</b>		95K	110K	105K	100/250K	120K	140K
<b>R.D.A.-X mm</b>					15	20	8	
<b>BY PASS-Ø-1/100mm</b>			75	75	55	55	70	90
<b>Bruciatore pilota Pilot burner (max 0,25 kW)</b>	<b>G30/G31 50 mbar*</b>		21	21	19	14	19	19

<b>BE, FR</b>								
Modelli – Models		<b>5,5 kW</b>	<b>7,0 kW</b>	<b>6,0 kW</b>	<b>5,5 kW**</b>	<b>8 kW</b>	<b>10 kW</b>	
Tipo – Type <b>A1</b>								
<b>Potenza nominale - Nominal thermal power</b>	<b>(kW)</b>		5,5 (6 kW G30/31)	7 (6 kW G30/31)	6	5,5	8	10
<b>Consumo gas - Gasconsumption</b>	<b>G20</b>	<b>m³/h</b>	0,582	0,740	0,635	0,582	0,846	1,057
	<b>G25</b>	<b>m³/h</b>	0,676	0,861	0,738	0,676	0,984	1,230
	<b>G30/ G31</b>	<b>kg/h</b>	0,433/ 0,466	0,433/ 0,466	0,473/ 0,466	0,434/ 0,427	0,630/ 0,621	0,788/ 0,776
<b>Bruciatore princ - Main burner</b>	<b>G20/G25 20/25 mbar*</b>		165/250K	195L	185K	170K	205L	235K
<b>R.D.A.-X mm</b>					15	20	15	
<b>BY PASS-Ø-1/100mm</b>			80	85	95	95	100	180
<b>Bruc. pil. - Pilot burner (max 0,25 kW)</b>	<b>G20/G25 20/25 mbar*</b>		35	35	36	27	36	36
<b>Bruc.princ - Main burner</b>	<b>G30/G31 28-30/37 mbar*</b>		120K	120K	125K	115K	145K	155K
<b>R.D.A.-X mm</b>					15	20	8	
<b>BY PASS-Ø-1/100mm</b>			75	75	65	65	80	100
<b>Bruciatore pilota Pilot burner (max 0,25 kW)</b>	<b>G30/G31 28-30/37 mbar*</b>		21	21	19	19	19	19

\*Pressione gas alla rampa / Inlet gas pressure

\*\* 5,5kW: Bruc. Mijotage; Mijotage Burner



DE								
Modelli – Models			5,5 kW	7,0 kW	6,0 kW	5,5 kW**	8 kW	10 kW
Tipo – Type <b>A1</b>								
<b>Potenza nominale - Nominal thermal power</b>	<b>(kW)</b>		5,5	7	6	5,5	8	10
<b>Consumo gas - Gasconsumption</b>	<b>G20</b>	<b>m³/h</b>	0,582	0,740	0,635	0,582	0,846	1,057
	<b>G25</b>	<b>m³/h</b>	0,676	0,861	0,739	0,677	0,984	1,230
	<b>G30/ G31</b>	<b>kg/h</b>	0,433/ 0,427	0,552/ 0,543	0,473/ 0,466	0,434/ 0,427	0,630/ 0,621	0,788/ 0,776
<b>Bruciatore princ - Main burner</b>	<b>G20 20 mbar*</b>		165/ 250K	195L	185K	170K	205L	235K
<b>R.D.A.-X mm</b>					15	20	15	
<b>BY PASS-Ø-1/100mm</b>			80	85	95	95	100	180
<b>Bruc. pil. - Pilot burner (max 0,25 kW)</b>	<b>G20 20 mbar*</b>		35	35	36	27	36	36
<b>Bruc.princ - Main burner</b>	<b>G25 20 mbar*</b>		180/ 250K	205/ 350L	195/ 350L	185/ 250K	220 350L	270K
<b>R.D.A.-X mm</b>					15	20	15	
<b>BY PASS-Ø-1/100mm</b>			80	85	105	100	110	180
<b>Bruciatore pilota Pilot burner (max 0,25 kW)</b>	<b>G25 20 mbar*</b>		35	35	36	27	36	36
<b>Bruc.princ - Main burner</b>	<b>G30/G31 50 mbar*</b>		95K	110K	105K	100/ 250K	120K	140K
<b>R.D.A.-X mm</b>					15	20	8	
<b>BY PASS-Ø-1/100mm</b>			75	75	55	55	70	90
<b>Bruciatore pilota Pilot burner (max 0,25 kW)</b>	<b>G30/G31 50 mbar*</b>		21	21	19	14	19	19

\*Pressione gas alla rampa / Inlet gas pressure

\*\* 5,5kW: Bruc. Mijotage; Mijotage Burner

MT, CY, IS								
Modelli – Models		5,5 kW	7,0 kW	6,0 kW	5,5 kW**	8 kW	10 kW	
Tipo – Type <b>A1</b>								
Potenza nominale - Nominal thermal power	(kW)		5,5	7	6	5,5	8	10
Consumo gas - Gasconsumption	G30/	kg/h	0,473/	0,473/	0,473/	0,434/	0,630/	0,788/
	G31		0,466	0,466	0,466	0,427	0,621	0,776
Bruciatore princ - Main burner	G30/G31 30/30 mbar*		120K	120K	125K	115K	145K	155K
	R.D.A.-X mm				15	20	8	
BY PASS-Ø-1/100mm			75	75	65	65	80	100
Bruc. pil - Pilot burner (max 0,25 kW)	G30/G31 30/30 mbar*		21	21	19	19	19	19

NL								
Modelli – Models		5,5 kW	7,0 kW	6,0 kW	5,5 kW**	8 kW	10 kW	
Tipo – Type <b>A1</b>								
Potenza nominale - Nominal thermal power	(kW)		5,5 (6 kW G30/31)	7 (6 kW G30/31)	6	5,5	8	10
Consumo gas - Gasconsumption	G20	m³/h	0,582	0,740	0,635	0,582	0,846	1,057
	G25.3	m³/h	0,661	0,842	0,721	0,661	0,962	1,202
	G30/	kg/h	0,433/	0,552/	0,473/	0,433/	0,630/	0,788/
G31	0,427		0,543	0,466	0,427	0,621	0,776	
Bruciatore princ - Main burner	G20 20 mbar*		165/250K	195L	185K	170K	205L	235K
R.D.A.-X mm					15	20	15	
BY PASS-Ø-1/100mm			80	85	95	95	100	180
Bruc. pil - Pilot burner (max 0,25 kW)	G20 20 mbar*		35	35	36	27	36	36
Bruciatore princ - Main burner	G25.3 25 mbar*		170/350L	195/350L	185/250K	170/250K	215/350L	225/350L
R.D.A.-X mm					15	20	15	
BY PASS-Ø-1/100mm			80	85	95	95	100	180
Bruc. pil - Pilot burner (max 0,25 kW)	G25.3 25 mbar*		35	35	36	27	36	36
Bruciatore princ - Main burner	G30/G31 30/30 mbar*		120K	120K	125K	115K	145K	155K
R.D.A.-X mm					15	20	8	
BY PASS-Ø-1/100mm			75	75	65	65	80	100
Bruc. pil - Pilot burner (max 0,25 kW)	G30/G31 30/30 mbar*		21	21	19	19	19	19

\*Pressione gas alla rampa / Inlet gas pressure

\*\* 5,5kW: Bruc. Mijotage; Mijotage Burner

HU							
Modelli – Models		5,5 kW	7,0 kW	6,0 kW	8 kW	10 kW	
Tipo – Type A1							
Potenza nominale - Nominal thermal power	(kW)		5,5 (6 kW G30/31)	7 (6 kW G30/31)	6	8	10
Consumo gas - Gasconsumption	G20	m³/h	0,582	0,740	0,634	0,634	1,057
	G25.1	m³/h	0,675	0,859	0,737	0,982	1,228
	G30/ G31	kg/h	0,433 /0,466	0,433 /0,466	0,441 /0,435	0,630 /0,621	0,788 /0,776
Bruciatore princ - Main burner	G20 25 mbar*		145/250K	185L	180K	195L	220K
R.D.A.-X mm	G20 25 mbar*				22	15	
Bruciatore princ - Main burner	G25.1 25 mbar*		175/250K	200/350L	185/350L	220/350L	270K
R.D.A.-X mm	G25.1 25 mbar*				22	15	
Bruciatore princ - Main burner	G20 25 mbar*		80	85	85	100	180
R.D.A.-X mm	G25.1 25 mbar*		80	85	100	115	180
Bruc. pil. - Pilot burner (max 0,25 kW)	G20 25 mbar* G25.1 25 mbar*		35	35	36	36	36
Bruciatore princ - Main burner	G30/G31 29/37 mbar*		120K	120K	125K	145K	155K
R.D.A.-X mm					15	8	
BY PASS-Ø-1/100mm			75	75	65	80	100
Bruc. pil. - Pilot burner (max 0,25 kW)	G30/G31 29/37 mbar*		21	21	19	19	19

ALL COUNTRIES								
Modelli – Models		5,5 kW	7,0 kW	6,0 kW	5,5 kW**	8 kW	10 kW	
Tipo – Type A1								
Potenza ridotta - Reduced thermal power	(kW)		1,4 (G20) / 2,7 (G30/31)	1,4 (G20) / 3 (G30/31)	1,55	1,4 (G25) / 1,55 (other gases)	1,8 (G20)/ 2,35 (G30/31)	3,7
Consumo gas - Gasconsumption	G20	m³/h	0,148	0,148	0,164	0,164	0,190	0,391
	G20 (25 mbar)	m³/h	0,148	0,169	0,164	0,164	0,190	0,391
	G25	m³/h	0,172	0,172	0,191	0,172	0,221	0,455
	G25.1	m³/h	0,172	0,172	0,190	-	0,221	0,454
	G25.3	m³/h	0,168	0,168	0,186	0,186	0,216	0,445
	G30 /G31	kg/h	0,173/ 0,171	0,173/ 0,171	0,122/ 0,120	0,122/ 0,120	0,185/ 0,182	0,292/ 0,287
	G30/G31 (50 mbar)	kg/h	0,213/ 0,210	0,236/ 0,233	0,122/ 0,120	0,122/ 0,120	0,185/ 0,182	0,292/ 0,287

\*Pressione gas alla rampa / Inlet gas pressure \*\* 5,5kW: Bruc. Mijotage; Mijotage Burner

IL PRESENTE MANUALE È DI PROPRIETÀ DEL FABBRICANTE E OGNI RIPRODUZIONE ANCHE PARZIALE È VIETATA.

/ 900 - TECHNICAL DATA

<b>AT</b> / Austria	<b>EE</b> / Estonia	<b>IS</b> / Iceland	<b>PL</b> / Poland
<b>AL</b> / Albania	<b>ES</b> / Spain	<b>IT</b> / Italy	<b>PT</b> / Portugal
<b>BE</b> / Belgium	<b>FI</b> / Finland	<b>LT</b> / Lithuania	<b>RO</b> / Romania
<b>BG</b> / Bulgaria	<b>FR</b> / France	<b>LV</b> / Latvia	<b>SE</b> / Sweden
<b>CH</b> / Switzerland	<b>GB</b> / UK	<b>LU</b> / Luxembourg	<b>SI</b> / Slovenia
<b>CY</b> / Cyprus	<b>GR</b> / Greece	<b>MK</b> / Macedonia	<b>SK</b> / Slovakia
<b>CZ</b> / Czech Rep.	<b>HR</b> / Croatia	<b>MT</b> / Malta	<b>TR</b> / Turkey
<b>DE</b> / Germany	<b>HU</b> / Hungary	<b>NL</b> / Netherland	
<b>DK</b> / Denmark	<b>IE</b> / Ireland	<b>NO</b> / Norway	

**IT, IE, GR, GB, ES, PT, BG, CZ, DK, FI, EE, SE, HR, LT, LU, LV, NO, PL, RO, SI, SK, TR, AL, MK, CH**

Modelli – Models			5,5 kW	7,0 kW	11,0 kW	7,0 kW**	10 kW	12 kW
Tipo – Type <b>A1</b>								
<b>Potenza nominale - Nominal thermal power</b>	<b>(kW)</b>		5,5 (6 kW G30/31)	7 (6 kW G30/31)	11 (8,6 kW G30/31)	7	10	12
<b>Consumo gas - Gasconsumption</b>	<b>G20</b>	<b>m³/h</b>	0,582	0,740	1,163	0,740	1,057	1,269
	<b>G30/ G31</b>	<b>kg/h</b>	0,473/ 0,466	0,473/ 0,466	0,678/ 0,668	0,552/ 0,543	0,788/ 0,776	0,985/ 0,971
<b>Bruciatore principale - Main burner</b>	<b>G20 20 mbar*</b>		165/250K	195L	245L	200K	235K	270L
<b>R.D.A.-X mm</b>						15	15	3
<b>BY PASS-Ø-1/100mm</b>			80	85	110	95	105	180
<b>Bruciatore pilota - Pilot burner (max 0,25 kW)</b>	<b>G20 20 mbar*</b>		35	35	35	36	36	36
<b>Bruciatore principale - Main burner</b>	<b>G30/G31 28-30/37 mbar* G30/G31 30/30 mbar* G31 37 mbar*</b>		120K	120K	145K	135K	155K	175K
<b>R.D.A.-X mm</b>						10	8	7
<b>BY PASS-Ø-1/100mm</b>			75	75	85	65	80	115
<b>Bruciatore pilota Pilot burner (max 0,25 kW)</b>	<b>G30/G31 28-30/37 mbar* G30/G31 30/30 mbar* G31 37 mbar*</b>		21	21	21	19	19	19

\*Pressione gas alla rampa / Inlet gas pressure

\*\*7 kW: Bruciatore Forno / Oven burner

AT, CH								
Modelli – Models		5,5 kW	7,0 kW	11,0 kW	7,0 kW**	10 kW	12 kW	
Tipo – Type A1								
Potenza nominale - Nominal thermal power	(kW)		5,5	7	11	7	10	12
Consumo gas - Gasconsumption	G20	m³/h	0,582	0,740	1,163	0,740	1,057	1,269
	G30/G31	kg/h	0,433/ 0,427	0,552/ 0,543	0,867/ 0,854	0,552/ 0,543	0,788/ 0,776	0,985/ 0,971
Bruciatore princ - Main burner	G20 20 mbar*		165/250K	195L	245L	200K	235K	270L
R.D.A.-X mm						15	15	1
BY PASS-Ø-1/100mm			80	85	110	95	105	180
Bruciatore pilota - Pilot burner (max 0,25 kW)	G20 20 mbar*		35	35	35	36	36	36
Bruciatore principale - Main burner	G30/G31 50 mbar*		95K	110K	145K	115K	135K	145/250K
R.D.A.-X mm						8	8	7
BY PASS-Ø-1/100mm			75	75	80	55	70	100
Bruciatore pilota Pilot burner (max 0,25 kW)	G30/G31 50 mbar*		21	21	21	19	19	19

BE, FR								
Modelli – Models		5,5 kW	7,0 kW	11,0 kW	7,0 kW**	10 kW	12 kW	
Tipo – Type A1								
Potenza nominale - Nominal thermal power	(kW)		5,5 (6 kW G30/31)	7 (6 kW G30/31)	11 (8,6 kW G30/31)	7	10	12
Consumo gas - Gasconsumption	G20	m³/h	0,582	0,740	1,163	0,740	1,057	1,269
	G25	m³/h	0,676	0,861	1,353	0,861	1,230	1,476
	G30/G31	kg/h	0,433/ 0,466	0,433/ 0,466	0,678/ 0,668	0,552/ 0,543	0,788/ 0,776	0,985/ 0,971
Bruciatore princ - Main burner	G20/G25 20/25 mbar*		165/250K	195L	245L	200K	235K	270L
R.D.A.-X mm						15	15	3
BY PASS-Ø-1/100mm			80	85	110	95	105	180
Bruc. pil. - Pilot burner (max 0,25 kW)	G20/G25 20/25 mbar*		35	35	35	36	36	36
Bruc.princ - Main burner	G30/G31 28-30/37 mbar*		120K	120K	145K	135K	155K	175K
R.D.A.-X mm						10	8	7
BY PASS-Ø-1/100mm			75	75	85	65	80	115
Bruciatore pilota Pilot burner (max 0,25 kW)	G30/G31 28-30/37 mbar*		21	21	21	19	19	19

\*Pressione gas alla rampa / Inlet gas pressure    \*\*7 kW: Bruciatore Forno / Oven burner

**DATI TECNICI / IMMAGINI / TECHNICAL DATA / IMG**

<b>DE</b>								
Modelli – Models			5,5 kW	7,0 kW	11,0 kW	7,0 kW**	10 kW	12 kW
Tipo – Type <b>A1</b>								
Potenza nominale - Nominal thermal power	(kW)		5,5	7	11	7	10 (9,4 kW G25)	12 (12,5 kW G25)
<b>Consumo gas - Gasconsumption</b>	<b>G20</b>	m <sup>3</sup> /h	0,582	0,740	1,163	0,740	1,057	1,269
	<b>G25</b>	m <sup>3</sup> /h	0,676	0,861	1,353	0,861	1,156	1,537
	<b>G30/ G31</b>	kg/h	0,433/ 0,427	0,552/ 0,543	0,867/ 0,854	0,552/ 0,543	0,788/ 0,776	0,985/ 0,971
<b>Bruciatore princ - Main burner</b>	<b>G20 20 mbar*</b>		165/250K	195L	245L	200K	235K	270L
<b>R.D.A.-X mm</b>						15	15	3
<b>BY PASS-Ø-1/100mm</b>			80	85	110	95	105	180
<b>Bruc. pil. - Pilot burner (max 0,25 kW)</b>	<b>G20 20 mbar*</b>		35	35	35	36	36	36
<b>Bruc.princ - Main burner</b>	<b>G25 20 mbar*</b>		180/250K	205/350L	270L	215/350L	255K	275/350L
<b>R.D.A.-X mm</b>						15	15	6
<b>BY PASS-Ø-1/100mm</b>			80	85	110	105	115	180
<b>Bruciatore pilota Pilot burner (max 0,25 kW)</b>	<b>G25 20 mbar*</b>		35	35	35	36	36	36
<b>Bruc.princ - Main burner</b>	<b>G30/G31 50 mbar*</b>		95K	110K	145K	115K	135K	145/250K
<b>R.D.A.-X mm</b>						8	8	7
<b>BY PASS-Ø-1/100mm</b>			75	75	80	55	70	100
<b>Bruciatore pilota Pilot burner (max 0,25 kW)</b>	<b>G30/G31 50 mbar*</b>		21	21	21	19	19	19

\*Pressione gas alla rampa / Inlet gas pressure    \*\*7 kW: Bruciatore Forno / Oven burner

## MT, CY, IS

Modelli – Models		5,5 kW	7,0 kW	11,0 kW	7,0 kW**	10 kW	12 kW	
Tipo – Type A1								
Potenza nominale - Nominal thermal power	(kW)		5,5	7	8,6	7	10	12
Consumo gas - Gasconsumption	G30/ G31	kg/h	0,473/ 0,466	0,473/ 0,466	0,678/ 0,668	0,552/ 0,543	0,788/ 0,776	0,985/ 0,971
Bruciatore princ - Main burner	G30/31 30/30 mbar*		120K	120K	145K	135K	155K	175K
R.D.A.-X mm						10	8	7
BY PASS-Ø- 1/100mm			75	75	85	65	80	115
Bruc. pil. - Pilot burner (max 0,25 kW)	G30/G31 30/30 mbar*		21	21	21	19	19	19

## NL

Modelli – Models		5,5 kW	7,0 kW	11,0 kW	7,0 kW**	10 kW	12 kW	
Tipo – Type A1								
Potenza nominale - Nominal thermal power	(kW)		5,5 (6 kW G30/31)	7 (6 kW G30/31)	11 (10,5 kW G25.3, G25 8,6 kW G31/31)	7	10	12 (13 kW G25.3)
Consumo gas - Gasconsumption	G20	m³/h	0,582	0,740	1,163	0,740	1,057	1,269
	G25.3	m³/h	0,661	0,842	1,262	0,842	1,202	
	G30/ G31	kg/h	0,433/ 0,427	0,552/ 0,543	0,678/ 0,668	0,552/ 0,543	0,788/ 0,776	0,985/ 0,971
Bruciatore princ - Main burner	G20 20 mbar*		165/250K	195L	245L	200K	235K	270L
R.D.A.-X mm						15	15	3
BY PASS-Ø-1/100mm			80	85	110	95	105	180
Bruc. pil. - Pilot burner (max 0,25 kW)	G20 20 mbar*		35	35	35	36	36	36
Bruciatore princ - Main burner	G25.3 25 mbar*		170/350L	195/350L	225/350L	205L	245K	255/350L
R.D.A.-X mm						15	15	3
BY PASS-Ø-1/100mm			80	85	110	95	115	180
Bruc. pil. - Pilot burner (max 0,25 kW)	G25.3 25 mbar*		35	35	35	36	36	36
Bruciatore princ - Main burner	G30/G31 30/30 mbar*		120K	120K	145K	135K	155K	175K
R.D.A.-X mm						10	8	7
BY PASS-Ø-1/100mm			75	75	85	65	80	115
Bruc. pil. - Pilot burner (max 0,25 kW)	G30/G31 30/30 mbar*		21	21	21	19	19	19

\*Pressione gas alla rampa / Inlet gas pressure \*\*7 kW: Bruciatore Forno / Oven burner

IL PRESENTE MANUALE È DI PROPRIETÀ DEL FABBRICANTE E OGNI RIPRODUZIONE ANCHE PARZIALE È VIETATA.

# DATI TECNICI / IMMAGINI / TECHNICAL DATA / IMG

## HU

Modelli – Models		5,5 kW	7,0 kW	11,0 kW	7,0 kW**	10 kW	12 kW	
Tipo – Type <b>A1</b>								
Potenza nominale - Nominal thermal power	(kW)		5,5 (6 kW G30/31)	7 (6 kW G30/31)	11 (10,5 kW G25.1 8,6 kW G30/31)	7	10 (9,4 kW G25.1)	12/ (13 kW G20)
Consumo gas - Gasconsumption	<b>G20</b>	m <sup>3</sup> /h	0,582	0,740	1,163	0,740	1,057	1,375
	<b>G25.1</b>	m <sup>3</sup> /h	0,675	0,859	1,289	0,859	1,154	1,473
	<b>G30/ G31</b>	kg/h	0,433 /0,466	0,433 /0,466	0,678 /0,668	0,552 /0,543	0,788 /0,776	0,985 /0,971
Bruciatore princ - Main burner	<b>G20 25 mbar*</b>		145/250K	185L	235L	195K	220K	270L
R.D.A.-X mm	<b>G20 25 mbar*</b>					15	15	3
BY PASS-Ø-1/100mm	<b>G20 25 mbar*</b>		80	85	110	85	105	180
Bruc. pil. - Pilot burner (max 0,25 kW)	<b>G20 25 mbar*</b>		35	35	35	36	36	36
Bruciatore princ - Main burner	<b>G25.1 25 mbar*</b>		175/250K	200/350L	245/350L	210 /350L	250K	280L
R.D.A.-X mm	<b>G25.1 25 mbar*</b>					15	15	2,5
BY PASS-Ø-1/100mm	<b>G25.1 25 mbar*</b>		80	85	110	100	115	180
Bruc. pil. - Pilot burner (max 0,25 kW)	<b>G25.1 25 mbar*</b>		35	35	35	36	36	36
Bruciatore princ - Main burner	<b>G30/G31 29/37 mbar*</b>		120K	120K	145K	135K	155K	175K
R.D.A.-X mm	<b>G30/G31 29/37 mbar*</b>					10	8	7
BY PASS-Ø-1/100mm	<b>G30/G31 29/37 mbar*</b>		75	75	85	65	80	115
Bruc. pil. - Pilot burner (max 0,25 kW)	<b>G30/G31 29/37 mbar*</b>		21	21	21	19	19	19

## ALL COUNTRIES

Modelli – Models		5,5 kW	7,0 kW	11,0 kW	7,0 kW**	10 kW	12 kW	
Tipo – Type <b>A1</b>								
Potenza ridotta - Reduced thermal power	(kW)		1,4 (G20) / 2,7(G30/31)	1,4 (G20) / 3(G30/31)	2,1 (G20) / 3,2(G30/31)	1,55 (G20) / 1,65(G30/31)	2,5	3,1 (G25.1) / 4,8(G30/31)
Consumo gas - Gasconsumption	<b>G20</b>	m <sup>3</sup> /h	0,148	0,148	0,222	0,164	0,264	0,391
	<b>G20 (25 mbar)</b>	m <sup>3</sup> /h	0,148	0,169	0,222	0,164	0,264	0,434
	<b>G25</b>	m <sup>3</sup> /h	0,172	0,172	0,258	0,191	0,307	0,357
	<b>G25.1</b>	m <sup>3</sup> /h	0,172	0,172	0,258	0,190	0,307	0,381
	<b>G25.3</b>	m <sup>3</sup> /h	0,168	0,168	0,252	0,186	0,301	0,493
	<b>G30/G31</b>	kg/h	0,173/0,171	0,173/0,171	0,197/0,194	0,130/0,128	0,197/0,194	0,378/0,373
	<b>G30/G31 (50 mbar)</b>	kg/h	0,213/ 0,210	0,236/ 0,233	0,252/ 0,248	0,130/ 0,128	0,197/ 0,194	0,378/ 0,373

\*Pressione gas alla rampa / Inlet gas pressure    \*\*7 kW: Bruciatore Forno / Oven burner

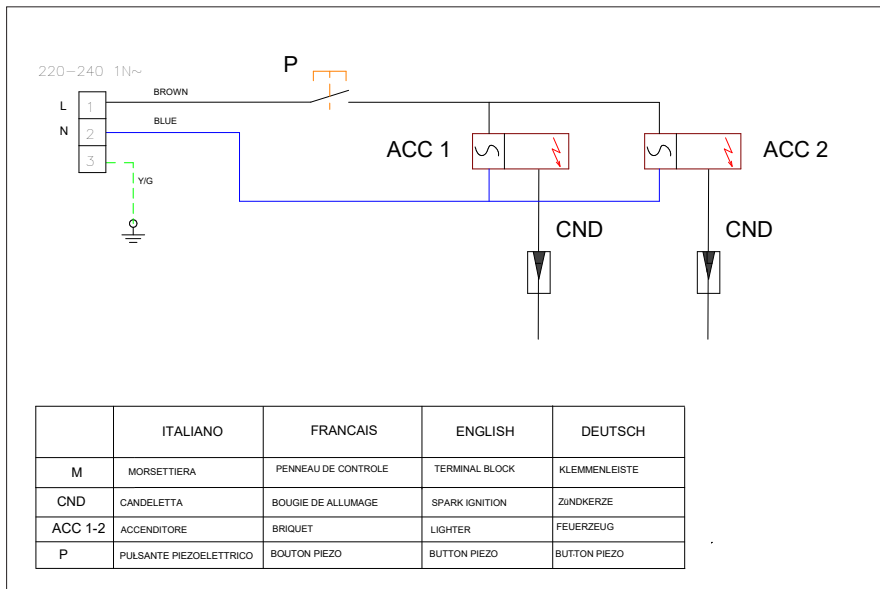
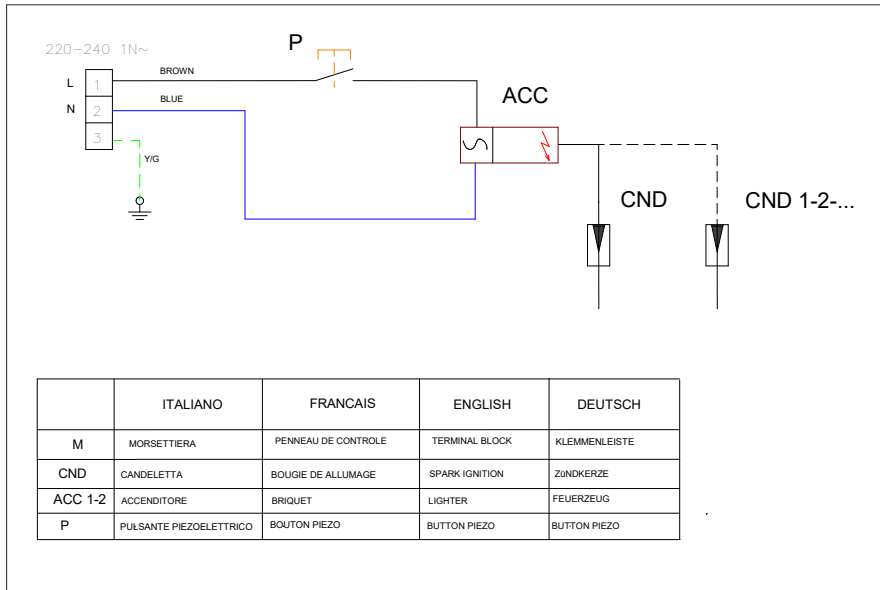
IL PRESENTE MANUALE È DI PROPRIETÀ DEL FABBRICANTE E OGNI RIPRODUZIONE ANCHE PARZIALE È VIETATA.



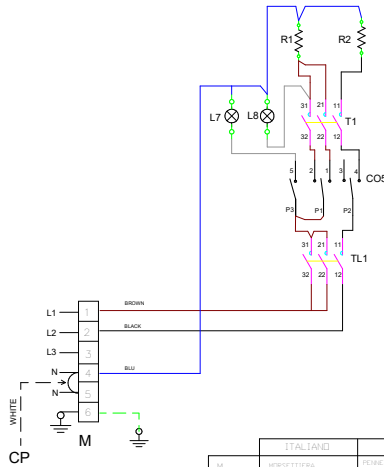
# SCHEMA ELETTRICO - WIRING DIAGRAM

## FB... AE

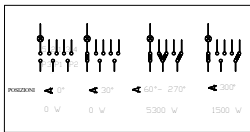
220/240 V ~ 1N 50-60 HZ (ELECTRONIC IGNITION)



**FB...FE**



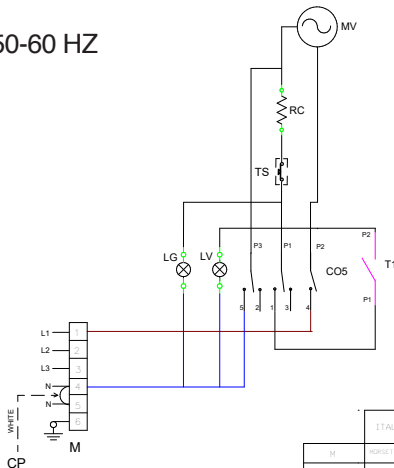
CO5



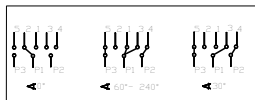
	ITALIANO	FRANCAIS	ENGLISH	DEUTSCH
M	INNESTI/TERMI	PORTE/BO DE CONTACT	TERMINAL BLOCK	TERMINALBLÖCKE
CP	CAVIO PORTO	CABLE POINT	BRIDGE CABLE	CABLE BRIDGE
CO5	COMUTATORE	COMPLATEUR	SWITCH	HAUPTSCHALTER
R1	RESISTENZA GIOLA	RESISTANCE	RESISTANCE	WIDERSTAND
R2	RESISTENZA GRILL	RESISTANCE GRILL	GRILL RESISTANCE	WIDERSTAND GRILL
L7	LAMPADA VERDE	LAMPE VERTE	GREEN LAMP	GRÜNE LAMPE
L8	LAMPADA BRANCA	LAMPE BRANKE	BRANKE LAMP	GRANKE LAMPE
T1	TERMOSTATO DI LAVORO	THERMISTAT DE TRAVAIL	WORKING THERMISTAT	THERMISTAT DER WERK
TL1	TERMOSTATO LIBRE	THERMISTAT DE SECURITE	LIBRE THERMISTAT	LIBRE THERMISTAT

**FB...FEV**

220/240 V ~ 1N 50-60 HZ



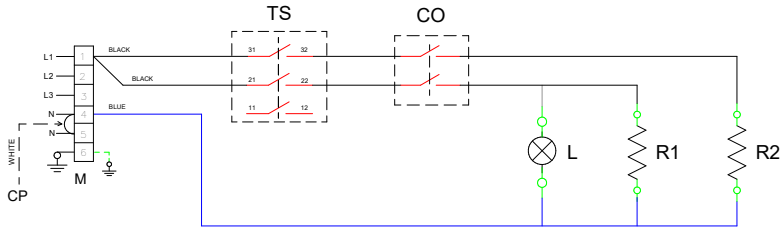
CO5



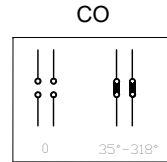
	ITALIANO	FRANCAIS	ENGLISH	DEUTSCH
M	INNESTI/TERMI	PORTE/BO DE CONTACT	TERMINAL BLOCK	TERMINALBLÖCKE
CP	CAVIO PORTO	CABLE POINT	BRIDGE CABLE	CABLE BRIDGE
L.V	LAMPADA VERDE	LAMPE VERTE	GREEN LAMP	GRÜNE LAMP
L.G	LAMPADA BRANCA	LAMPE BRANKE	BRANKE LAMP	LAMPE BRANKE
M.V	RETOUR-VISCOZA	RETOUR-VECOLATEUR	FAK-ROTOR	ELEKTROTORER FAK
T1	TERMOSTATO DI LAVORO	THERMISTAT DE TRAVAIL	WORKING THERMISTAT	ARBEITEN THERMISTAT
RC	RESISTENZA FORNO	RESISTANCE DE FOUR	OVEN HEATING ELEMENT	WIDERSTANDSELEME
CO5	COMUTATORE FORNO	COMPLATEUR DE FOUR	OVEN SWITCH	SCHALTER FÜR BACKOFEN
TS	TERMOSTATO DI SICUREZZA	THERMISTAT DE SECURITE	SAFETY THERMISTAT	SICHERHEITSTHERMISTAT

# SCHEMA ELETTRICO - WIRING DIAGRAM

## FB912FGMG...



	ITALIANO	FRANCAIS	ENGLISH	DEUTSCH
M	HERSETTIERA	PANNEAU DE CONTRÔLE	TERMINAL BLOCK	AUFNEMMELEISTE
CP	CAVIO PONTE	CABLE POINT	BRIDGE CABLE	TABLE BRIDGE
CO	COMUTATORE	COMMUTATEUR	SWITCH	HAUPTSCHALTER
R1-R2	RESISTENZA	RÉSISTANCE	HEATING ELEMENT	BEHEIZUNGERPERE
L	LAMPADA ARANCIONE	LAMPE ORANGE	ORANGE LAMP	ORANGE LAMPE
TS	TERMOSTATO DI SICUREZZA	THERMOSTAT DE SÉCURITÉ	SAFETY THERMOSTAT	SICHERHEITSTHERMOSTAT



LEGGENDA SIMBOLI / LEGEND



INGRESSO GAS / GAS INLET  
(EN 10226-1) Ø M 1/2"



INGRESSO ACQUA /  
WATER INLET Ø M 1/2"



ATTACCO EQUIPOTENZIALE /  
EQUIPOTENTIAL



ALIMENTAZIONE ELETTRICA /  
POWER SUPPLY

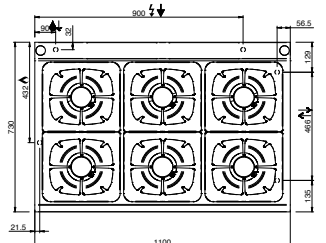
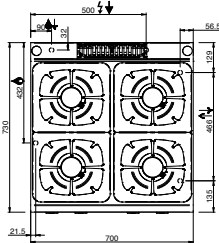
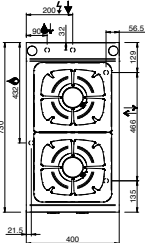
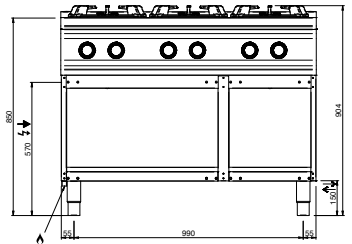
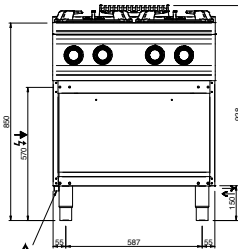
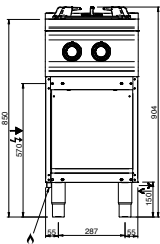
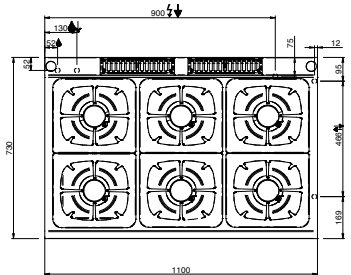
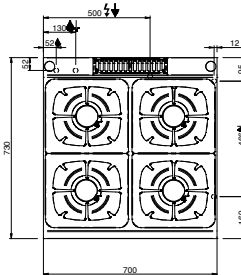
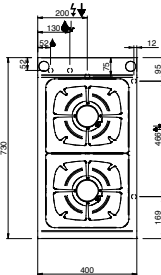
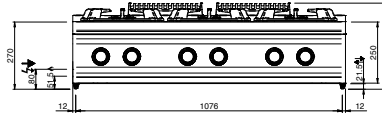
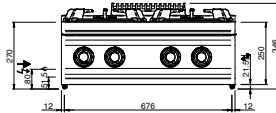
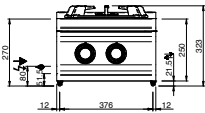


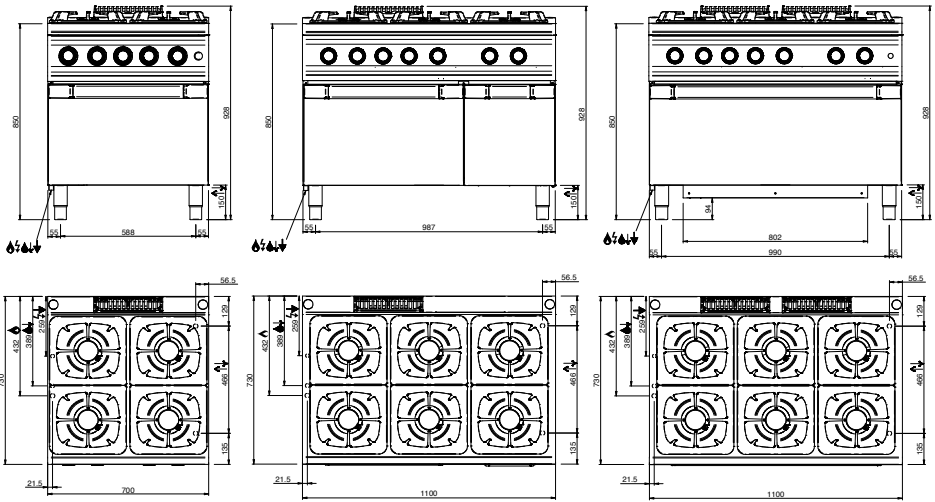
SCARICO ACQUA / OLII  
WATER / OILS DRAIN



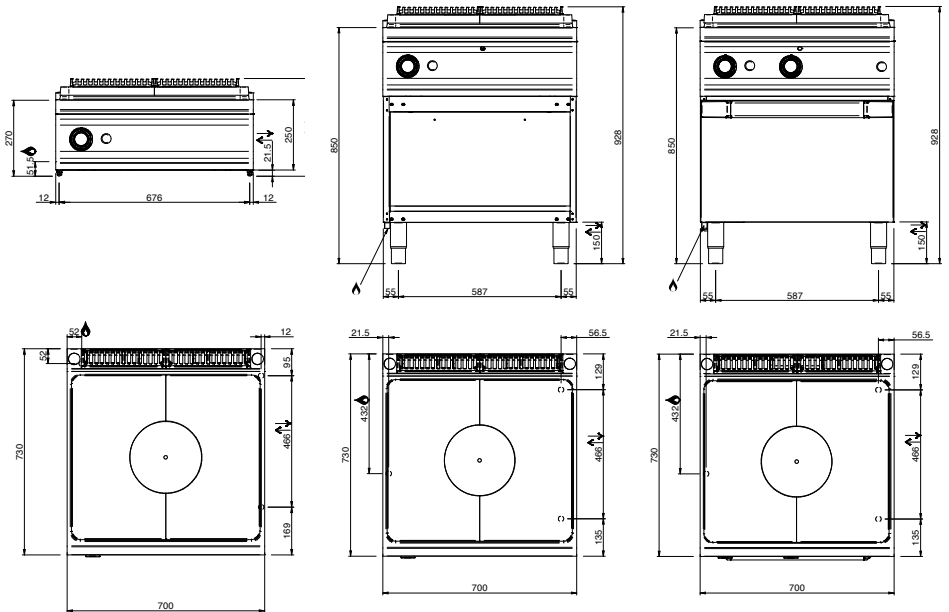
REGOLAZIONE PIEDINI /  
FEET ADJUSTMENT (h 0/+50)  
/ TOP VERSION (h 0/+5)

/ 700 FLEX BURNER ON TOP / ON CUPBOARD / ON OVEN





**/ 700 SOLID TOP ON TOP / ON CUPBOARD / ON OVEN**



LEGGENDA SIMBOLI / LEGEND



INGRESSO GAS / GAS INLET  
(EN 10226-1) Ø M 1/2"



INGRESSO ACQUA /  
WATER INLET Ø M 1/2"



ATTACCO EQUIPOTENZIALE /  
EQUIPOTENTIAL



ALIMENTAZIONE ELETTRICA /  
POWER SUPPLY

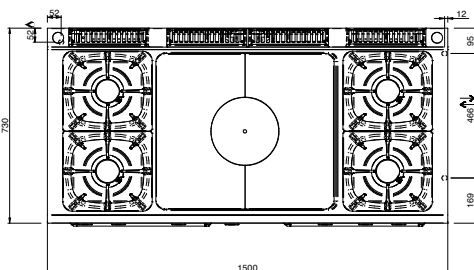
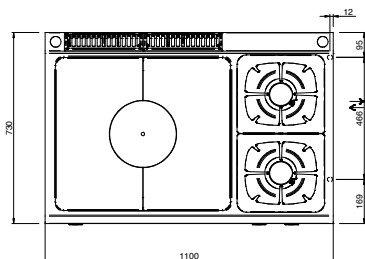
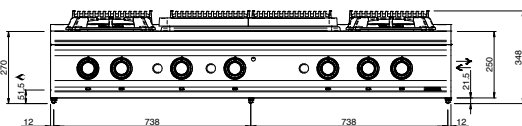
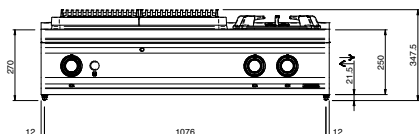


SCARICO ACQUA / OLII  
WATER / OILS DRAIN

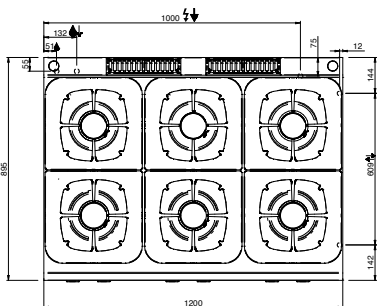
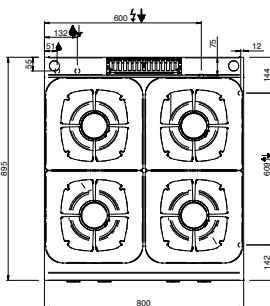
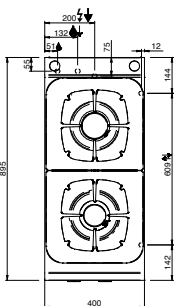
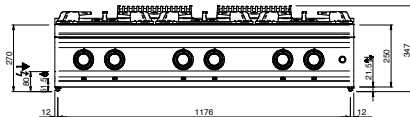
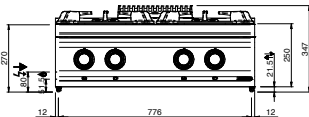
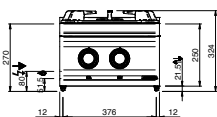


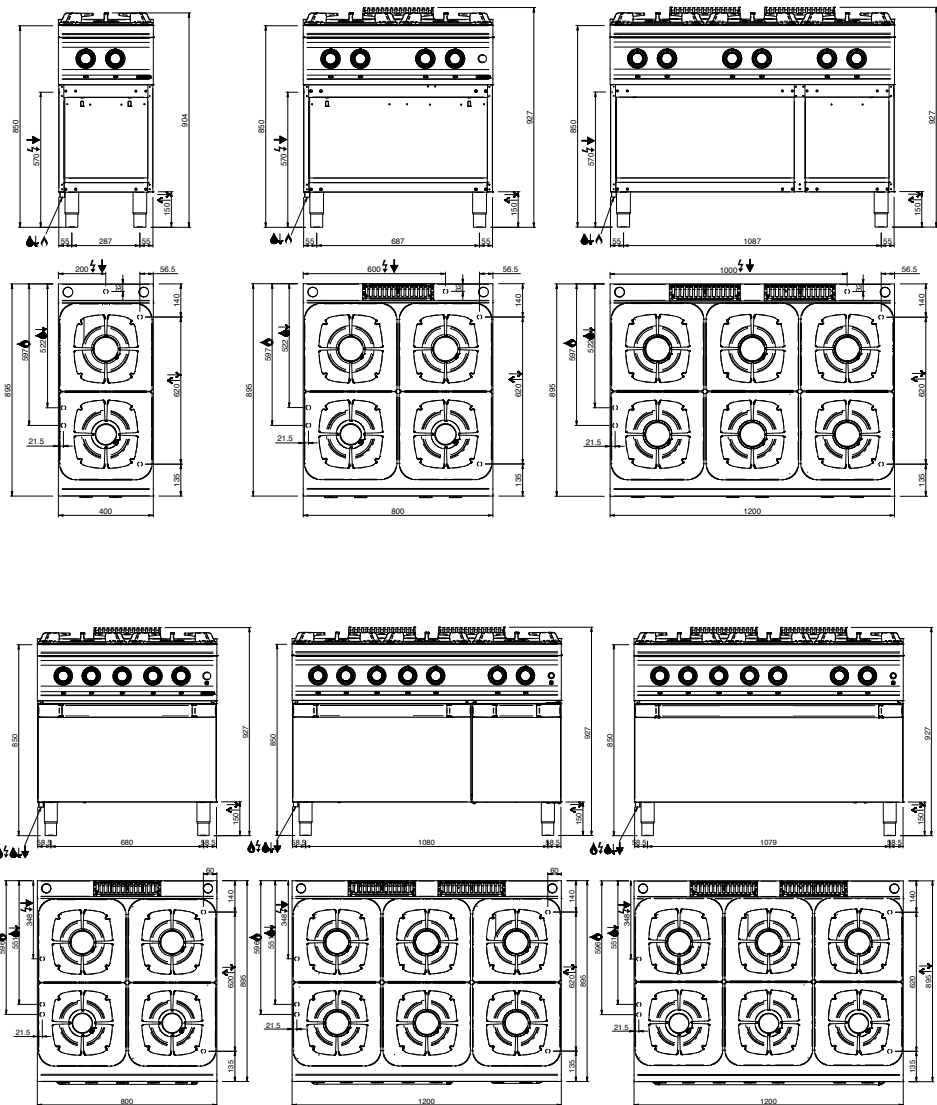
REGOLAZIONE PIEDINI /  
FEET ADJUSTMENT (h 0/+50)  
/ TOP VERSION (h 0/+5)

/ 700 SOLID TOP



/ 900 FLEX BURNER ON TOP / ON CUPBOARD / ON OVEN





LEGENDA SIMBOLI / LEGEND



INGRESSO GAS / GAS INLET  
(EN 10226-1) Ø M 1/2"



INGRESSO ACQUA /  
WATER INLET Ø M 1/2"



ATTACCO EQUIPOTENZIALE /  
EQUIPOTENTIAL



ALIMENTAZIONE ELETTRICA /  
POWER SUPPLY

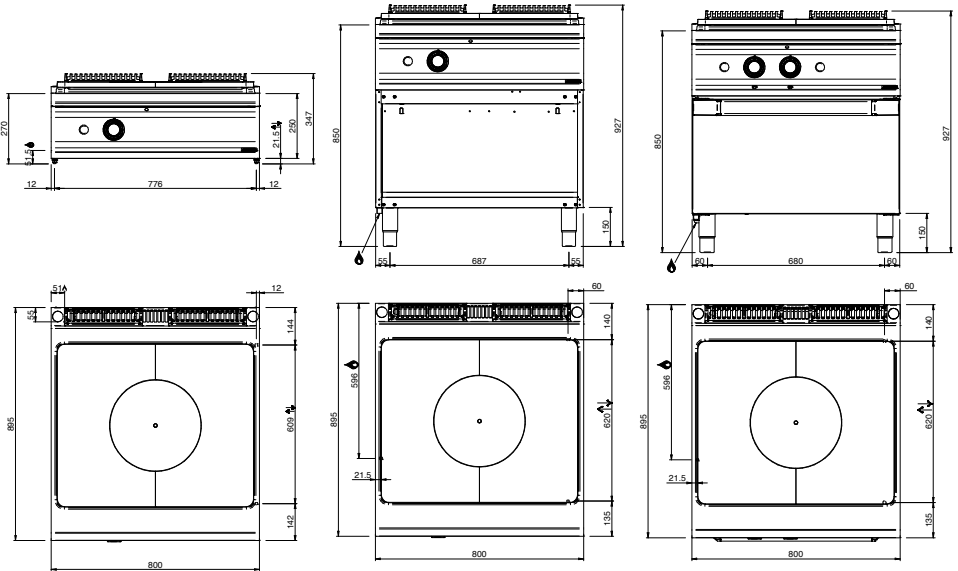


SCARICO ACQUA / OLII  
WATER / OILS DRAIN



REGOLAZIONE PIEDINI /  
FEET ADJUSTMENT (h 0/+50)  
/ TOP VERSION (h 0/+5)

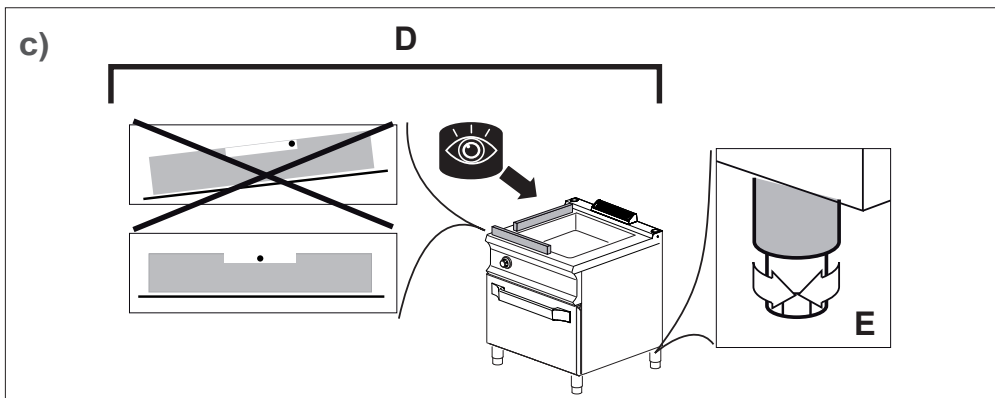
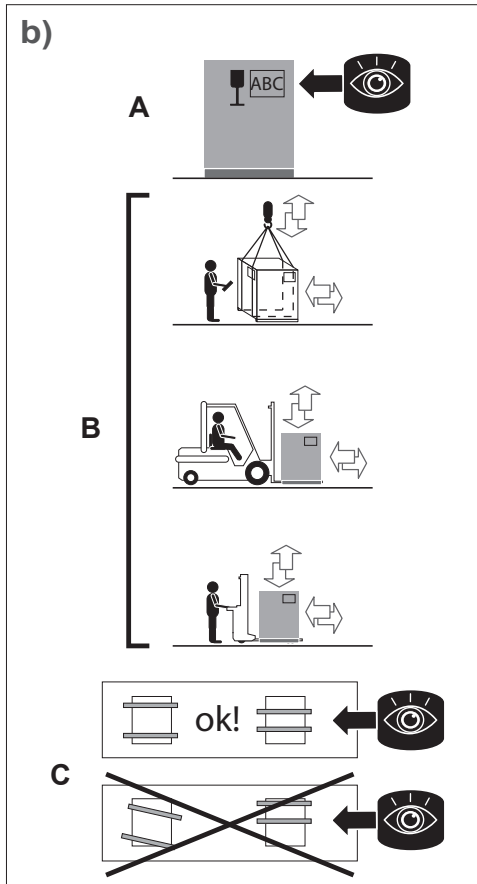
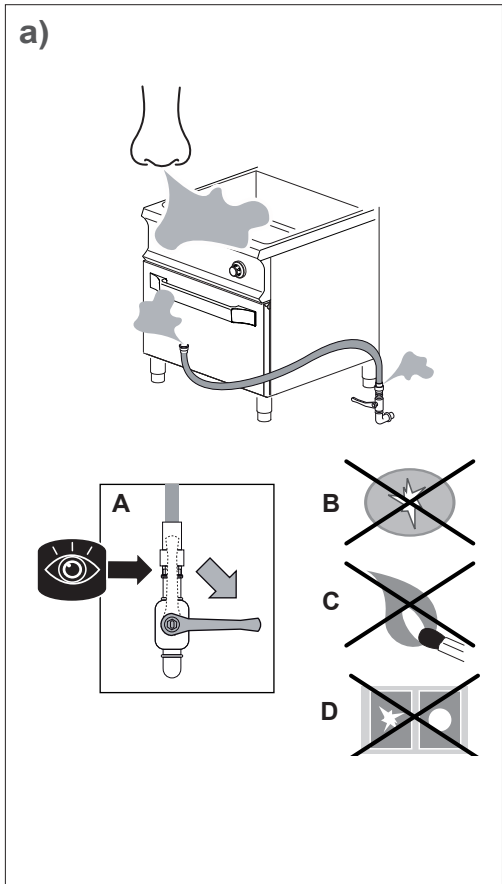
/ 900 SOLID TOP ON TOP / ON CUPBOARD / ON OVEN

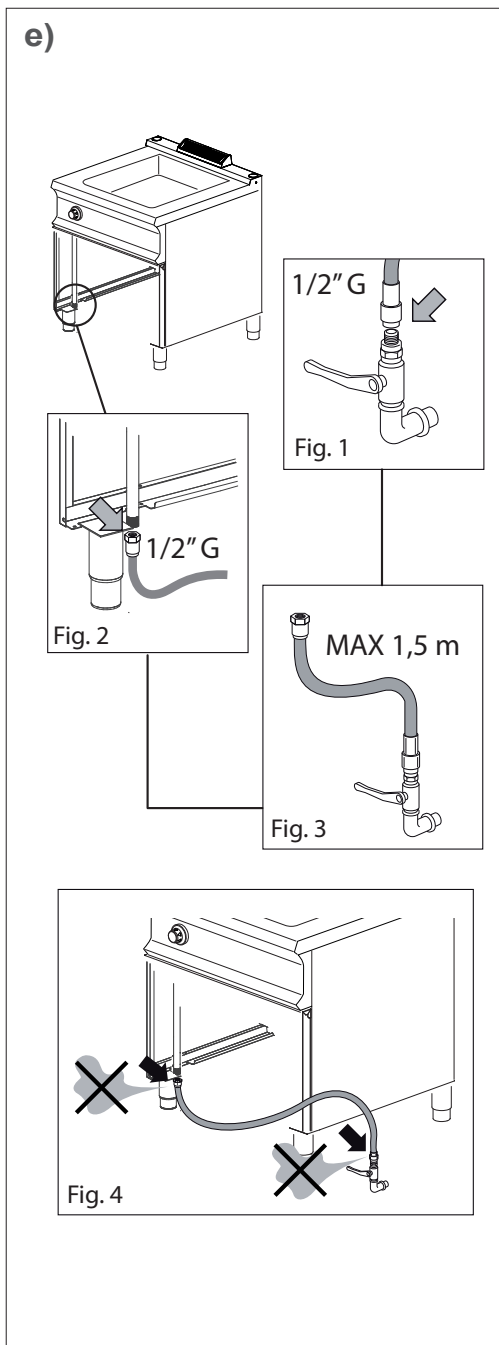
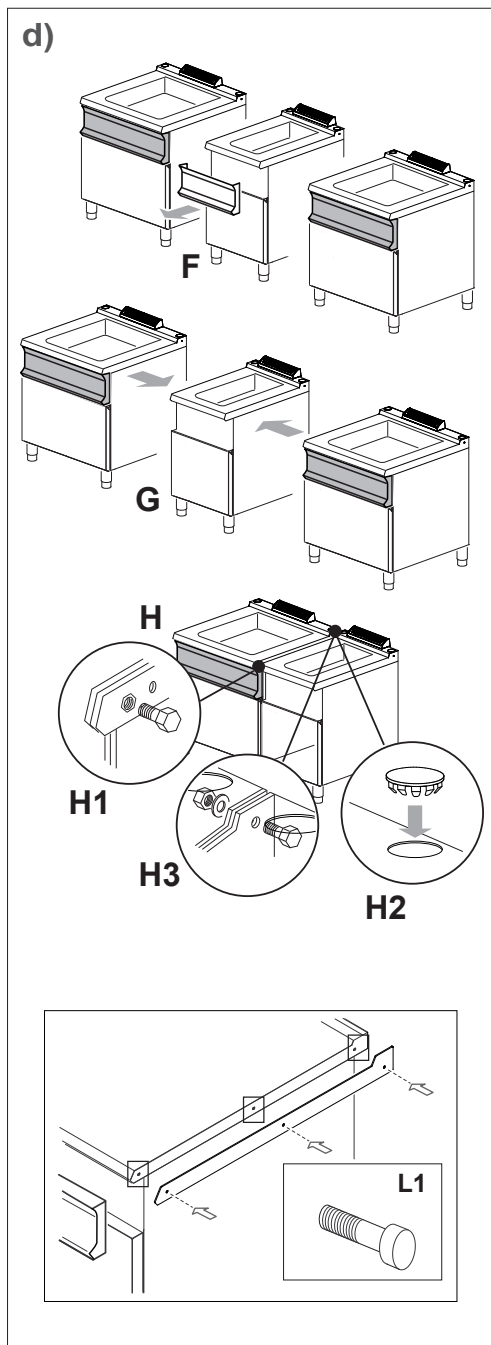


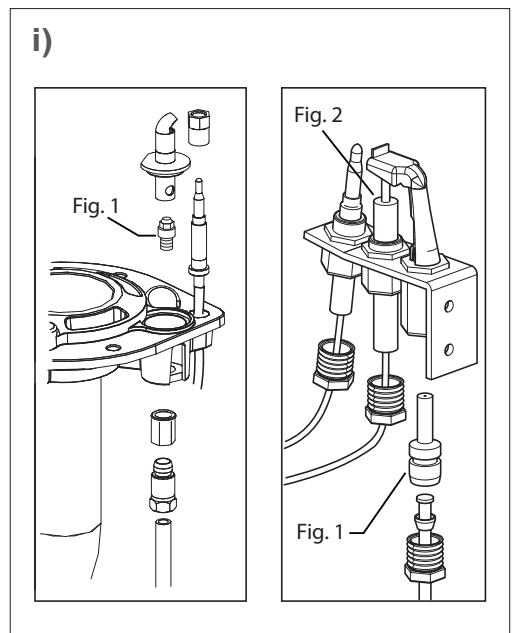
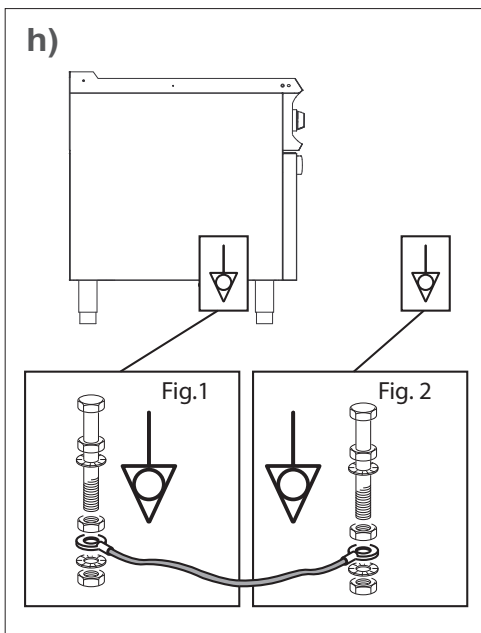
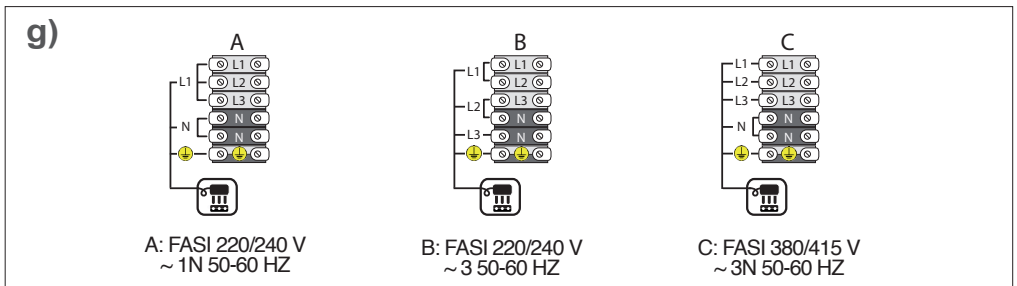
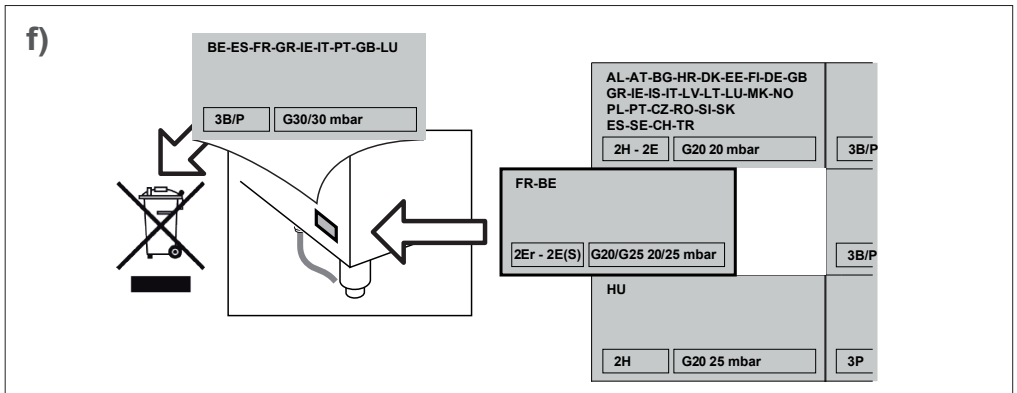


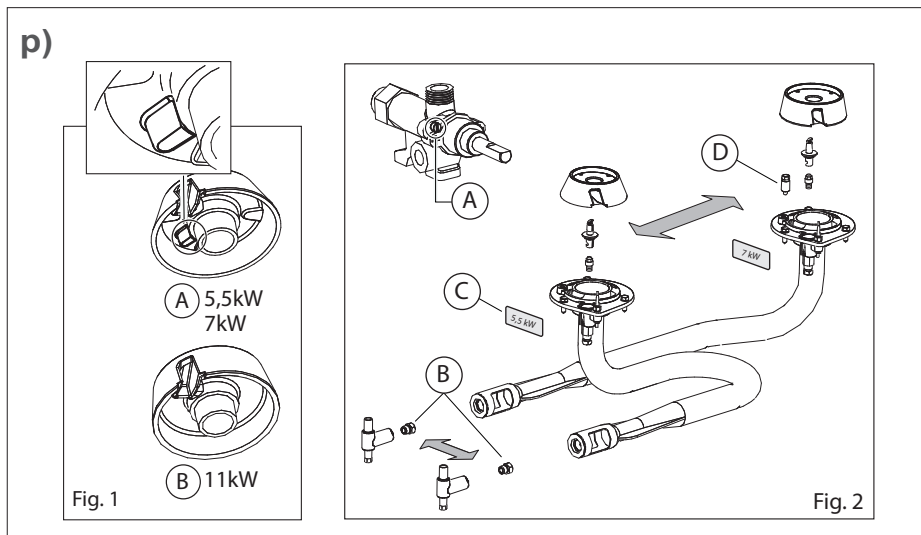
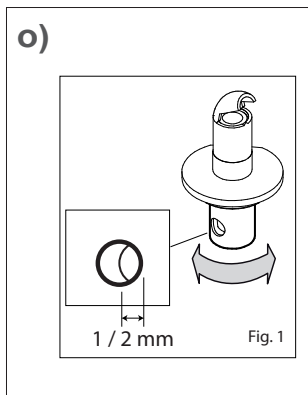
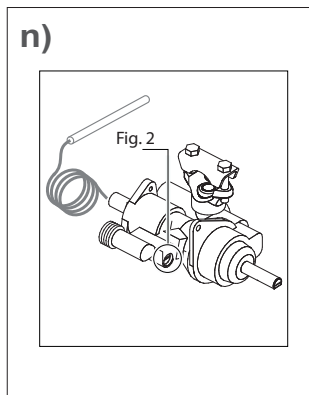
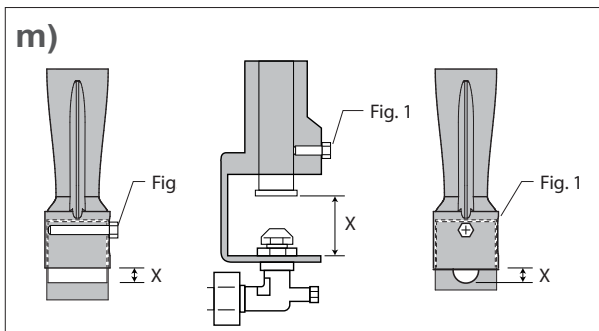
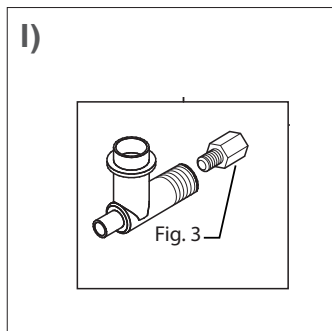


INSTALLAZIONE / INSTALLATION



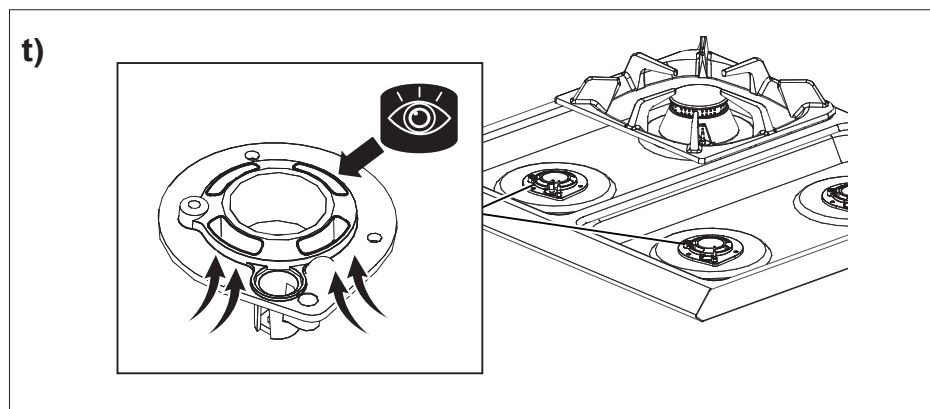
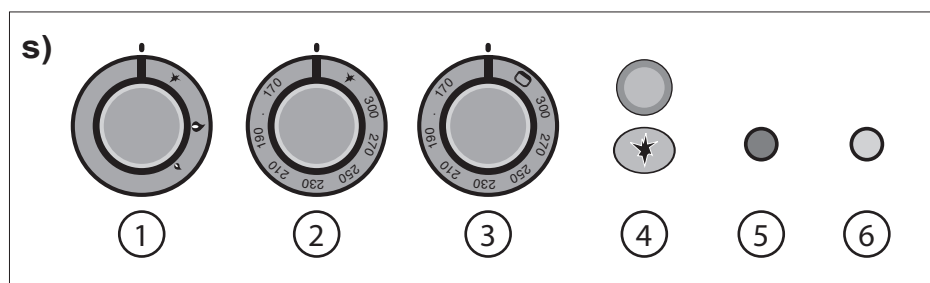
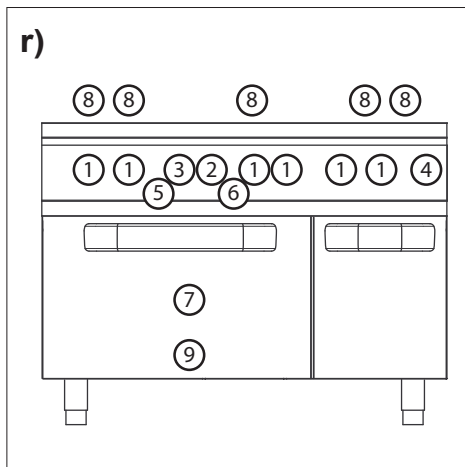
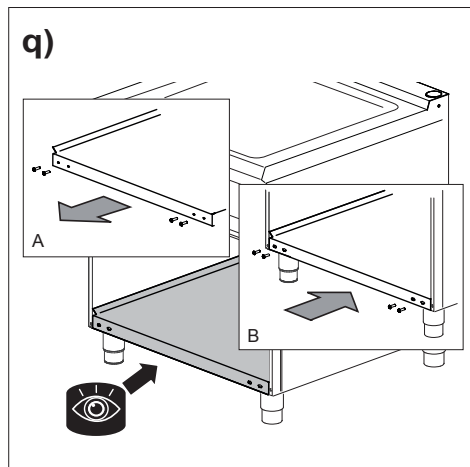








## USO / USER



u)

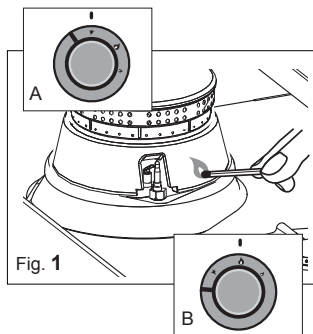


Fig. 1

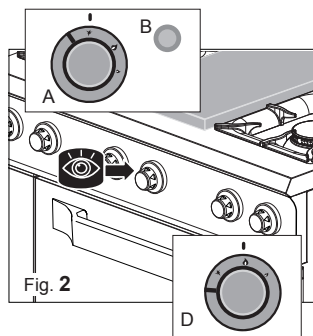


Fig. 2

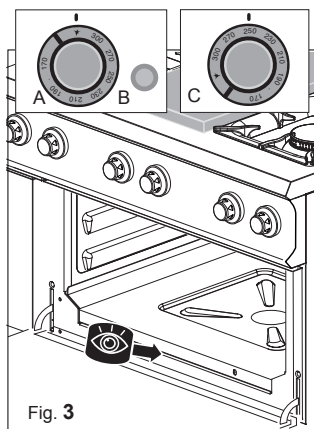


Fig. 3

v)

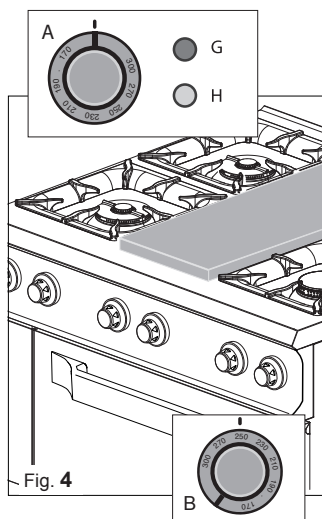


Fig. 4

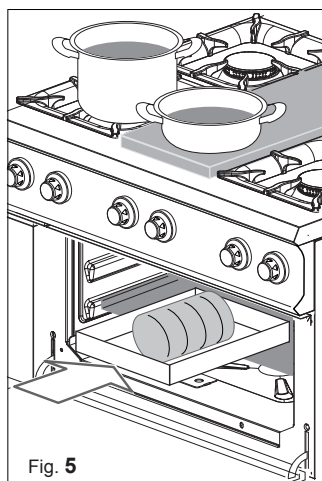


Fig. 5

