



MOD : G9/M15I8-N

Production code : DIPEG98A150I

10/2023

CODICE - CODE - CODE - CÓDIGO - KOD - КОД - KODE	N° 200774
EDIZIONE - EDITION - EDITION - EDICIÓN - AUSGABE - EDIÇÃO - WYDANIE - EDITIE - UTGAVE - UTGÅVA- KIA- DAS	Rev. 1 - 03/2022
TIPO DI DOCUMENTO - TYPE OF DOCUMENT - TYPE DE DOCUMENT - TIPO DE DOCUMENTO - DOKUMENTTYP - TIPO DE DOCUMENTO - TYP DOKUMENTU - DOCUMENT- TYPE - ТИП ДОКУМЕНТА - TYPE DOKUMENT - TYP AV DOKUMENT	M.I.U. / manuale di installazione e uso / installation and user manual
MODELLO - MODEL - MODÈLE - MODELO - MODELL - МОДЕЛЬ - MODELL - MODELL	GAS / GAZ
ANNO - YEAR - ANNÉE - AÑO - ANO - ROK - JAAR - ГОД - BYGGEÅR - ÅR - ÉVE	2022
CONFORMITÀ - CONFORMITY - CONFORMITÉ - CONFORMIDAD - KONFORMITÄT - CONFORMIDADE - ZGODNOŚĆ - CONFORMITEIT - MEGFELELÉSÉRT	CE

TARGA DI IDENTIFICAZIONE - IDENTIFICATION PLATE

A - Indirizzo Costruttore - Manufacturer's Address

B - Apparecchiatura Elettrica - Electrical Appliance

C - Apparecchiatura Gas - Gas Appliance

A	MADE IN EU COMMERCIAL COOKING EQUIPMENT	CE
	REA 1523814 ITALY	
V	MODEL MOD. M	B
Hz	SE NO. NUM. S	
		DR

A	Mod.	SN° DR						
	V	Hz	kW	Type				
CE	ES-ES-IE	PT	PL	FR-BE	NL	MT-CY	AT-CH	
	Cat.	I2H3+	I2H3+	I2E3P	I2E4+	I2L3P	I3BP	I2H3BP
C	Pr (mbar)	20,29/37	20,29/37,50/67	20,37	20/25, 29/37	25,37,50	30	20,50
CE	LU	NO-EE-LT-SK-SI-TR	GR	DE	AL-IS-DK-FI-SE-BG	LV		
	Cat.	I2E3P	I2H3P	I2E3P	I2E3BP	I2H3BP	I2H	
CE	Pr (mbar)	20,37,50	20	20,20,50	20,30	20		
	I (kW)							
CE	EN 203-1 0694	PIN N° BL2792	G23					
				m³/h	G30		Kg/h	
				m³/h	G31		Kg/h	

NORMATIVE / STANDARDS OF REFERENCE

/ Reg. 2016/426/CE (GAR) / EN 437 EN 203-1 EN 203-2-3; EN 203-3

/ Dir. 2011/65/EU (ROHS II) / Dir. 2012/19/EU (WEEE)

/ Reg. 1935/2004/CE (MOCA)

/ TECHNICAL DATA

MOD.	Dim. vasca (cm)	Capacità vasca (l)	Bruciatori gas (kW)	Attacco gas Ø "	Ass. el (W)	Alim. (kW)	Peso (kg)
MOD.	Dim. tank (cm)	Tank capacity (l)	Gas burners (kW)	Gas coupling Ø "	Power consumption (W)	El. supply (kW)	Weight (kg)
SU ARMADIO / ON CABINET							
PEG7750I	40x42	50	12,5	1/2"	-	-	91
PEG98A100	60x42	100	21	1/2"			118
PEG98A150	60x54	150	21	1/2"			123
PEG98A100I	60x42	100	21	1/2"			143
PEG98A150I	60x54	150	21	1/2"			148
TOP							
PEG98T100	60x42	100	21	1/2"			113
PEG98T150	60x54	150	21	1/2"			118
PEG98T100I	60x42	100	21	1/2"			138
PEG98T150I	60x54	150	21	1/2"			143



1. **I diametri degli ugelli** sono espressi in 1/100mm – The diameter of the nozzles are indicated in 1/100mm - Le diamètres des gicleur sont exprimés en 1/100mm - Diameter der Düsen ist in 1/100mm angegeben – Los diámetros de las boquillas se indican en 1/100mm.

2. **RDA:** Regolazione dell'aria primaria; Primary air regulation; Réglage del'air primaire; Primärlufteinstellung; Regulación de la entrada del aire.

CARATTERISTICHE ACQUA / WATER SPECIFICS	
Durezza / Hardness	Softened Max. 7°TH (5°e, 4°dH, 70ppm)
Qualità / Quality	Chloride Cl-: 100 mg/l max. / Chlorine Cl2: 0.2mg/l max
Conducibilità / Conductivity	Min 20 µS/cm
Temperatura acqua in ingresso / Inlet water temperature	Max 60 °C

/ TECHNICAL DATA

AT / Austria	EE / Estonia	IS / Iceland	NO / Norway
AL / Albania	ES / Spain	IT / Italy	PL / Poland
BE / Belgium	FI / Finland	LT / Lithuania	PT / Portugal
BG / Bulgaria	FR / France	LV / Latvia	RO / Romania
CH / Switzerland	GB / UK	LU / Luxembourg	SE / Sweden
CY / Cyprus	GR / Greece	MK / Macedonia	SI / Slovenia
CZ / Czech Rep.	HR / Croatia	MT / Malta	SK / Slovakia
DE / Germany	HU / Hungary	NL / Netherland	TR / Turkey
DK / Denmark	IE / Ireland		

IT, IE, GR, GB, ES, PT, BG, CZ, DK, FI, EE, SE, HR, LT, LU, LV, NO, PL, RO, SI, SK, TR, AL, MK, CH

Modelli – Models		PEG7750I	PEG98...100/150
Tipo – Type A1			
Potenza nominale - Nominal thermal power	(kW)		12,5
	G20	m³/h	1,322
	G30/G31	kg/h	0,985/0,971
Consumo gas - Gasconsumption			2,220
			1,655/1,630
Bruciatore principale - Main burner	G20 20 mbar*		245/350L
R.D.A.-X mm			-
BY PASS-Ø-1/100mm			150
Bruciatore pilota - Pilot burner (max 0,25 kW)	G20 20 mbar*		27
			50
Bruciatore principale - Main burner	G30/G31 28-30/37 mbar* G30/G31 30/30 mbar* G31 37 mbar*		175K
			140K
R.D.A.-X mm			-
BY PASS-Ø-1/100mm			95
Bruciatore pilota Pilot burner (max 0,25 kW)	G30/G31 28-30/37 mbar* G30/G31 30/30 mbar* G31 37 mbar*		19
			30

*Pressione gas alla rampa / Inlet gas pressure

AT, CH				
Modelli – Models		PEG7750I		PEG98...100 / 150
Tipo – Type A1				
Potenza nominale - Nominal thermal power	(kW)		12,5 (12 kW G30/G31)	21 (22 kW G30/G31)
Consumo gas - Gasconsumption	G20	m ³ /h	1,322	2,220
	G30/G31	kg/h	0,946/0,932	1,733/1,708
Bruciatore princ - Main burner	G20 20 mbar*		245/350L	200/350L
R.D.A.-X mm			-	-
BY PASS-Ø-1/100mm			150	180
Bruciatore pilota - Pilot burner (max 0,25 kW)	G20 20 mbar*		27	50
Bruciatore principale - Main burner	G30/31 50 mbar*		145/250K	120/250M5
R.D.A.-X mm			-	-
BY PASS-Ø-1/100mm			80	110
Bruciatore pilota Pilot burner (max 0,25 kW)	G30/G31 50 mbar*		19	30

BE, FR				
Modelli – Models		PEG7750I		PEG98...100 / 150
Tipo – Type A1				
Potenza nominale - Nominal thermal power	(kW)		12,5	21
Consumo gas - Gasconsumption	G20	m ³ /h	1,322	2,220
	G25	m ³ /h	1,538	2,583
	G30/G31	kg/h	0,985/0,971	1,655/1,630
Bruciatore princ - Main burner	G20/G25 20/25 mbar*		245/350L	200/350L
R.D.A.-X mm			-	-
BY PASS-Ø-1/100mm			150	180
Bruc. pil. - Pilot burner (max 0,25 kW)	G20/G25 20/25 mbar*		27	50
Bruc.princ - Main burner	G30/G31 28-30/37 mbar*		175K	140K
R.D.A.-X mm			-	-
BY PASS-Ø-1/100mm			95	130
Bruciatore pilota Pilot burner (max 0,25 kW)	G30/G31 28-30/37 mbar*		19	30

DE				
Modelli – Models			PEG7750I	PEG98...100 / 150
Tipo – Type A1				
Potenza nominale - Nominal thermal power	(kW)		12,5 (12 kW G30/31)	21 (22 kW G30/31) (20 kW G25)
Consumo gas - Gasconsumption	G20	m ³ /h	1,322	2,220
	G25	m ³ /h	1,538	2,583
	G30/G31	kg/h	0,946/0,932	1,733/1,708
Brucciatore princ - Main burner	G20 20 mbar*		245/350L	200/350L
R.D.A.-X mm			-	-
BY PASS-Ø-1/100mm			150	180
Bruc. pil. - Pilot burner (max 0,25 kW)	G20 20 mbar*		27	50
Bruc.princ - Main burner	G25 20 mbar*		280/410L	215/350L
R.D.A.-X mm			-	-
BY PASS-Ø-1/100mm			150	180
Brucciatore pilota Pilot burner (max 0,25 kW)	G25 20 mbar*		27	50
Bruc.princ - Main burner	G30/G31 50 mbar*		145/250K	120/250M5
R.D.A.-X mm			-	-
BY PASS-Ø-1/100mm			80	110
Brucciatore pilota Pilot burner (max 0,25 kW)	G30/G31 50 mbar*		19	30

MT, CY, IS				
Modelli – Models			PEG7750I	PEG98...100 / 150
Tipo – Type A1				
Potenza nominale - Nominal thermal power	(kW)		12,5	21
Consumo gas - Gasconsumption	G30/G31	kg/h	0,985/0,971	1,655/1,630
Brucciatore princ - Main burner	G30/G31 30/30 mbar*		175K	140K
R.D.A.-X mm			-	-
BY PASS-Ø-1/100mm			95	130
Bruc. pil - Pilot burner (max 0,25 kW)	G30/G31 30/30 mbar*		19	30

*Pressione gas alla rampa / Inlet gas pressure

NL				
Modelli – Models			PEG7750I	PEG98...100 / 150
Tipo – Type A1				
Potenza nominale - Nominal thermal power	(kW)		12,5	21
Consumo gas - Gasconsumption	G20	m ³ /h	1,322	2,220
	G25.3	m ³ /h	1,503	2,525
	G30/G31	kg/h	0,985/0,971	1,630 (G31)
Bruciatore princ - Main burner	G20 20 mbar*		245/350L	200/350L
R.D.A.-X mm			-	-
BY PASS-Ø-1/100mm			150	180
Bruc. pil. - Pilot burner (max 0,25 kW)	G20 20 mbar*		27	50
Bruciatore princ - Main burner	G25.3 25 mbar*		255/350L	210/350L
R.D.A.-X mm			-	-
BY PASS-Ø-1/100mm			150	180
Bruc. pil. - Pilot burner (max 0,25 kW)	G25.3 25 mbar*		27	50
Bruciatore princ - Main burner	G30/G31 30/30 mbar*		175K	140K
R.D.A.-X mm			-	-
BY PASS-Ø-1/100mm			95	130
Bruc. pil. - Pilot burner (max 0,25 kW)	G30/G31 30/30 mbar*		19	30

*Pressione gas alla rampa / Inlet gas pressure

HU				
Modelli – Models		PEG7750I		PEG98...100 / 150
Tipo – Type A1				
Potenza nominale - Nominal thermal power	(kW)		12,5	21 (20kW G20)
Consumo gas - Gasconsumption	G20	m³/h	1,532	2,115
	G25.1	m³/h	1,535	2,578
	G30/G31	kg/h	0,985/0,971	1,655/1,630
Bruciatore princ - Main burner	G20 25 mbar*		230/350L6	185/350L
R.D.A.-X mm	G20 25 mbar*		-	-
Bruciatore princ - Main burner	G25.1 25 mbar*		275/350L	220/350L
R.D.A.-X mm	G25.1 25 mbar*		-	-
BY PASS-Ø-1/100mm	G20 25 mbar* G25.1 25 mbar*		150	180
Bruc. pil. - Pilot burner (max 0,25 kW)	G20 25 mbar* G25.1 25 mbar*		27	50
Bruc. pil. - Pilot burner (max 0,25 kW)	G30/G31 29/37 mbar*		175K	140K
R.D.A.-X mm			-	-
BY PASS-Ø-1/100mm			95	130
Bruc. pil. - Pilot burner (max 0,25 kW)	G30/G31 29/37 mbar*		19	30

ALL COUNTRIES				
Modelli – Models		PEG7750I		PEG98...100 / 150
Tipo – Type A1				
Potenza ridotta - Reduced thermal power	(kW)		3,85	5,7
Consumo gas - Gasconsumption	G20	m³/h	0,407	0,603
	G30/G31	kg/h	0,303/0,299	0,449/0,443

*Pressione gas alla rampa / Inlet gas pressure

LEGENDA SIMBOLI / LEGEND



INGRESSO GAS / GAS INLET
(EN 10226-1) Ø M 1/2"



INGRESSO ACQUA /
WATER INLET Ø M 1/2"



ATTACCO EQUIPOTENZIALE /
EQUIPOTENTIAL



ALIMENTAZIONE ELETTRICA /
POWER SUPPLY

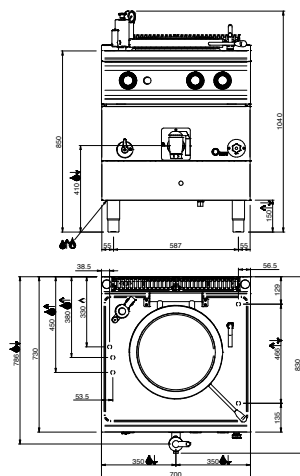


SCARICO ACQUA / OLI
WATER / OILS DRAIN

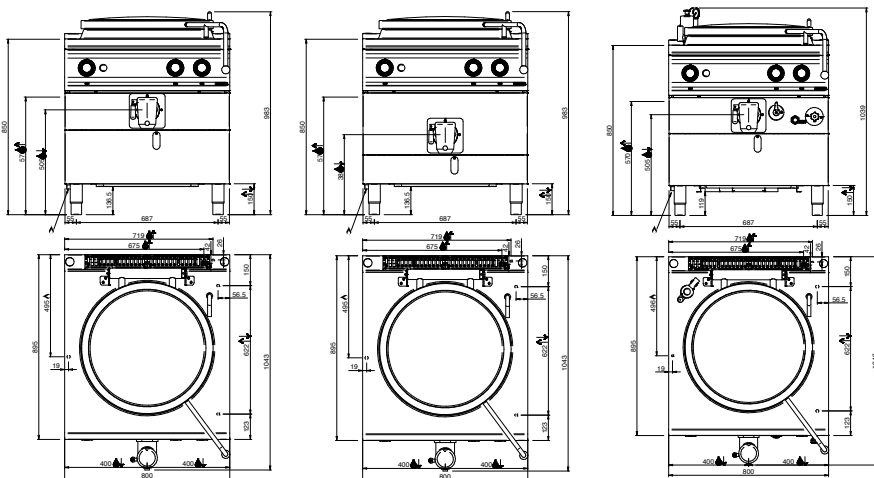


REGOLAZIONE PIEDINI /
FEET ADJUSTMENT (h 0/+50)
/ TOP VERSION (h 0/+5)

BOILING PAN 700



BOILING PAN 900



LEGENDA SIMBOLI / LEGEND



INGRESSO GAS / GAS INLET
(EN 10226-1) Ø M 1/2"



INGRESSO ACQUA /
WATER INLET Ø M 1/2"



ATTACCO EQUIPOTENZIALE /
EQUIPOTENTIAL



ALIMENTAZIONE ELETTRICA /
POWER SUPPLY

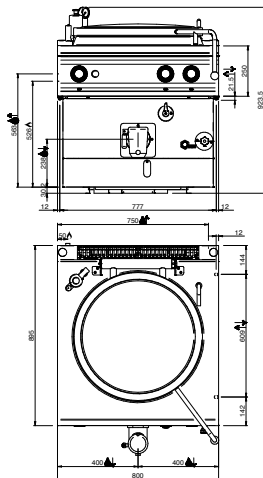
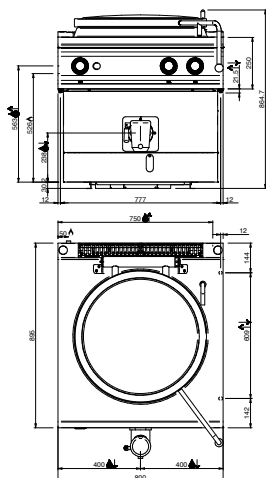
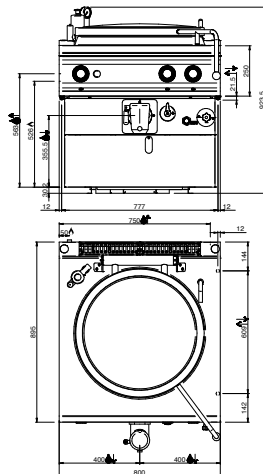
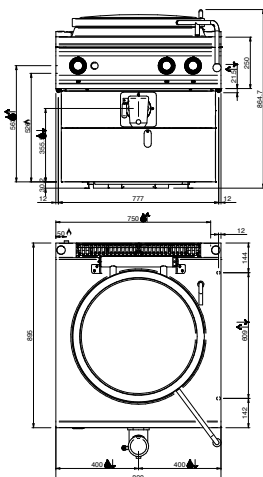
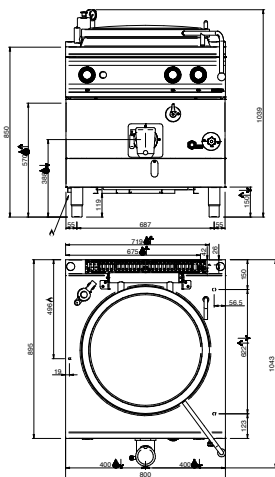


SCARICO ACQUA / OLII
WATER / OILS DRAIN



REGOLAZIONE PIEDINI /
FEET ADJUSTMENT (h 0/+50)
/ TOP VERSION (h 0/+5)

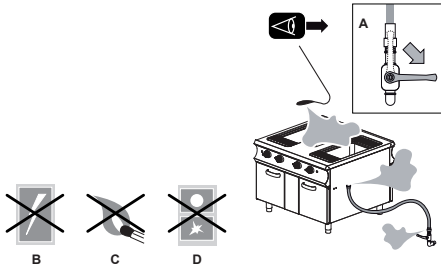
BOILING PAN 900



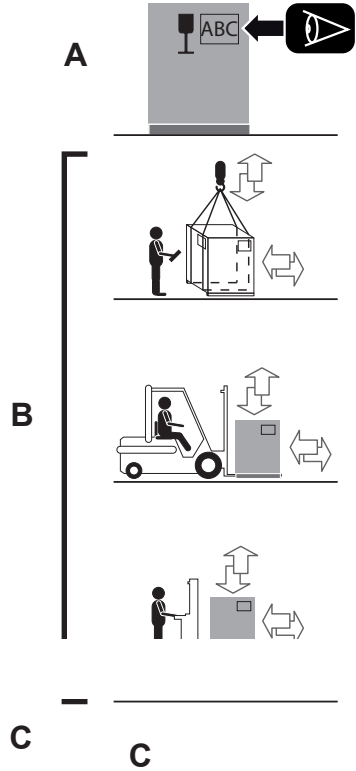


INSTALLAZIONE / INSTALLATION

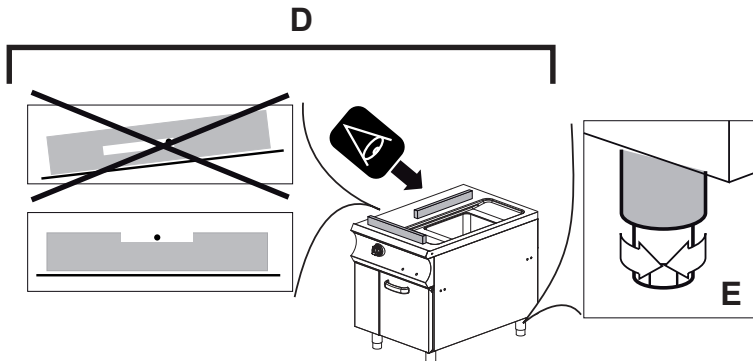
a)

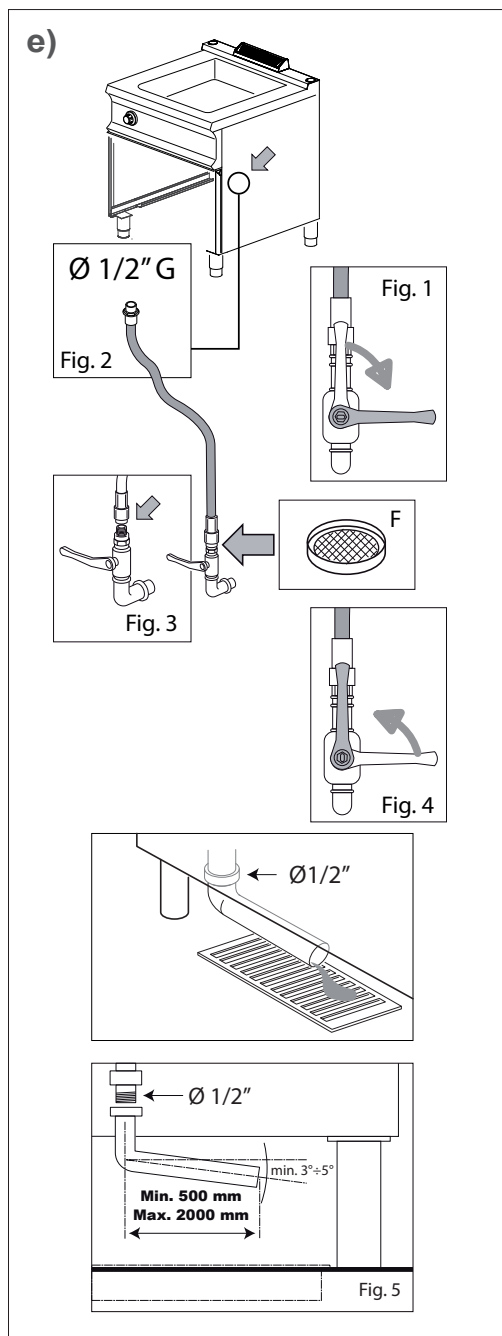
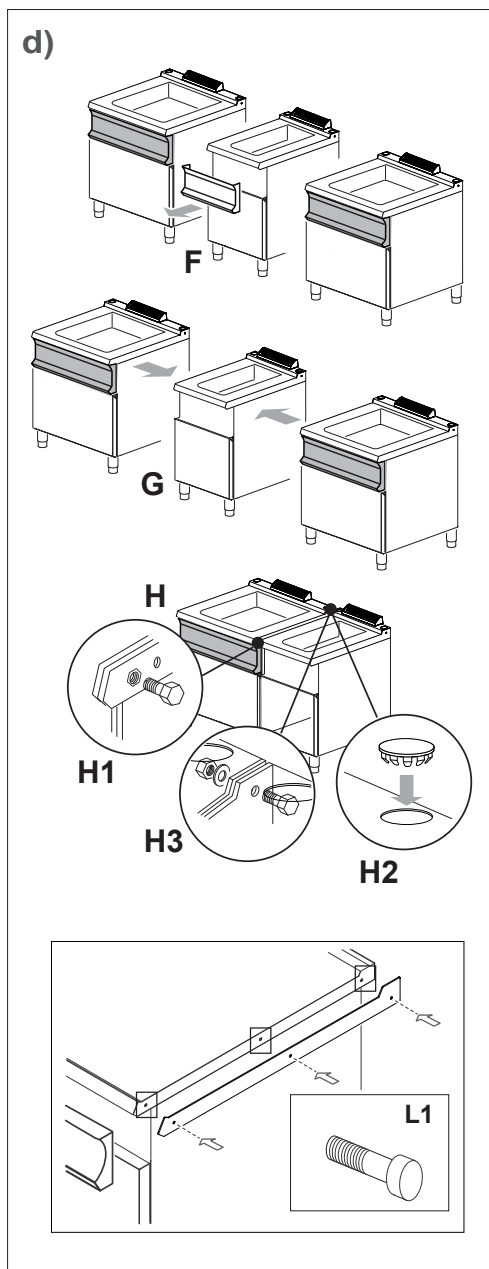


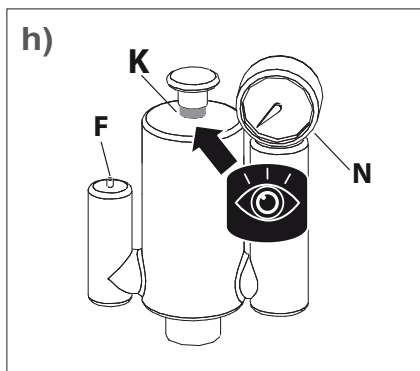
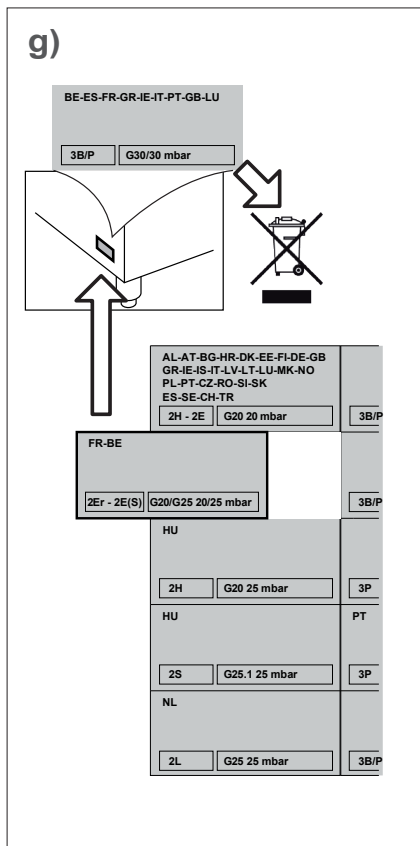
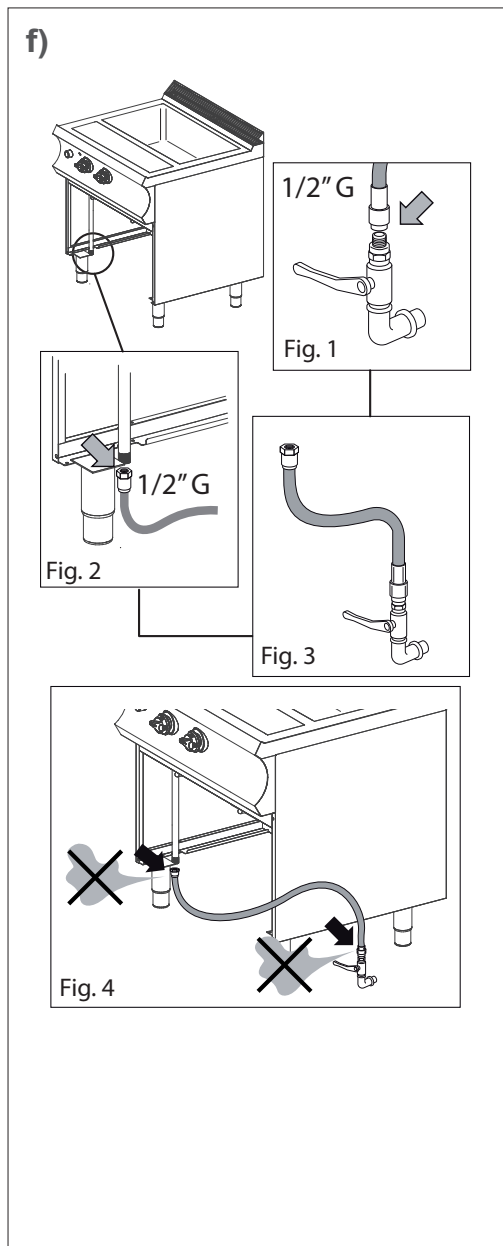
b)

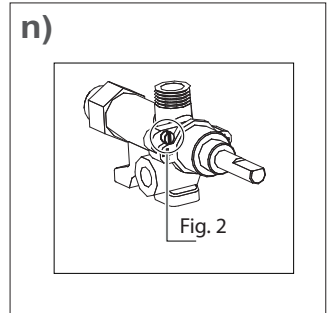
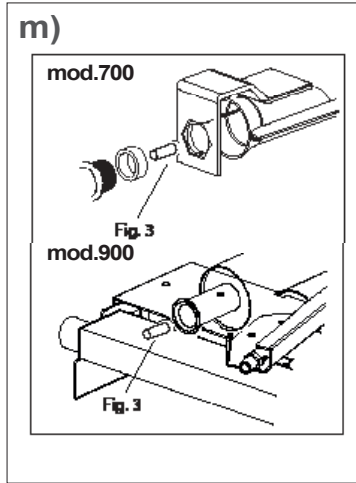
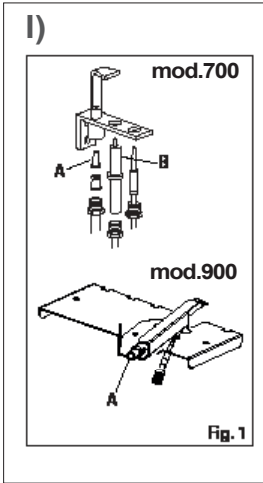


c)

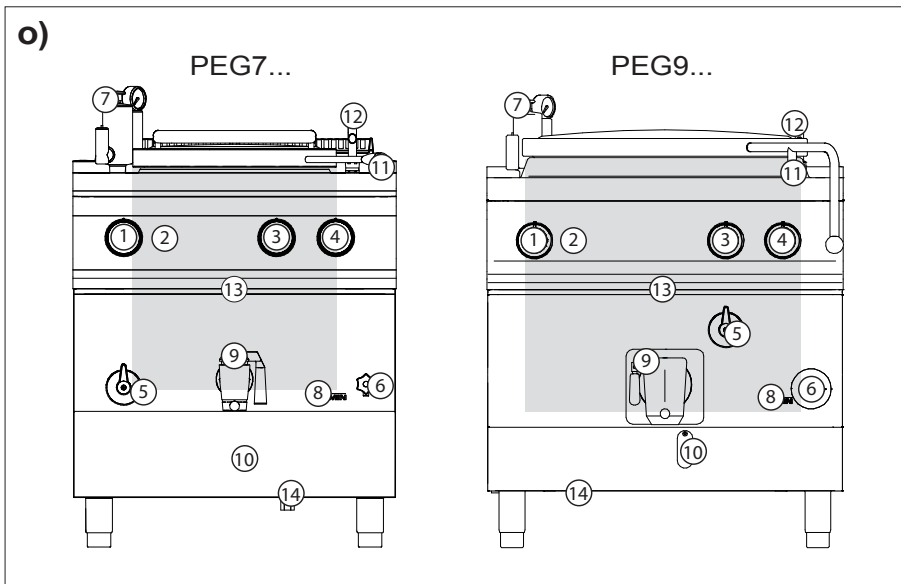




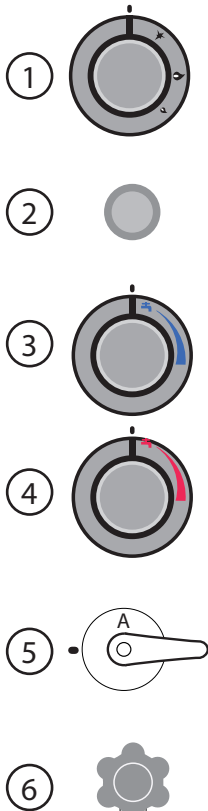




USO / USER



p)



q)

