



**MOD : G9/CPA8-N**

**Production code : DICPG98A**

**10/2023**

CODICE - CODE - CODE - CÓDIGO - KOD - КОД - KODE	N° 200770
EDIZIONE - EDITION - EDITION - EDICIÓN - AUSGABE - EDIÇÃO - WYDANIE - EDITIE - UTGAVE - UTGÅVA- KIA- DAS	Rev. 1 - 03/2022
TIPO DI DOCUMENTO - TYPE OF DOCUMENT - TYPE DE DOCUMENT - TIPO DE DOCUMENTO - DOKUMENTTYP - TIPO DE DOCUMENTO - TYP DOKUMENTU - DOCUMENT- TYPE - ТИП ДОКУМЕНТА - TYPE DOKUMENT - TYP AV DOKUMENT	M.I.U. / manuale di installazione e uso / installation and user manual
MODELLO - MODEL - MODÈLE - MODELO - MODELL - МОДЕЛЬ - MODELL - MODELL	GAS / GAZ
ANNO - YEAR - ANNÉE - AÑO - ANO - ROK - JAAR - ГОД - BYGGÅR - ÅR - ÉVE	2022
CONFORMITÀ - CONFORMITY - CONFORMITÉ - CONFORMIDAD - KONFORMITÄT - CONFORMIDADE - ZGODNOŚĆ - CONFORMITEIT - MEGFELELÉSÉRT	CE

## TARGA DI IDENTIFICAZIONE - IDENTIFICATION PLATE

A - Indirizzo Costruttore - Manufacturer's Address

B - Apparecchiatura Elettrica - Electrical Appliance

C - Apparecchiatura Gas - Gas Appliance

<b>A</b>	MADE IN EU COMMERCIAL COOKING EQUIPMENT	CE
REA 1523814 ITALY		
V	MODEL MOD. M	<b>B</b>
	kw	DR
	Hz	

<b>A</b>	Mod.	SN° DR					
V	Hz	kw					
Type							
Cat.	ES-ES-IE	PT	PL	FR-BE	NL	MT-CY	AT-CH
	I2H3*	I2H3*	I2E3P	I2E4*	I2L3P	I3BP	I2H3BP
Pr (mbar)	20,29/37	20,29/37, 50/67	20,37	20/25, 29/37	25,37, 50	30	20,50
	LU	NO-EE-LT-SK-SI-TR	GR	DE	AL-IS-DK-FI-O-SE-BO	LV	
Cat.	I2E3P	I2H3P	I2E3P	I2E4*	I2L3BP	I3H3BP	I2H
Pr (mbar)	20,37, 50	20	20,20, 50	20,30	20,30	20	20
Z (m)							
Q (l/h)	kw						
				m <sup>3</sup> /h	G30		Kg/h
				m <sup>3</sup> /h	G31		Kg/h
CE	EN203-1 0694	PIN N° BL2792	G23				

## NORMATIVE / STANDARDS OF REFERENCE

/ Reg. 2016/426/CE (GAR) / EN 437 EN 203-1 EN 203-2-11

/ Dir. 2014/35/EU (LVD) / EN 60335-1 EN 60335-2-102

/ Dir. 2014/30/EU (EMC)

/ Dir. 2011/65/EU (ROHS II) / Dir. 2012/19/EU (WEEE)

/ Reg. 1935/2004/CE (MOCA)

## / TECHNICAL DATA

MODELLO	Dimensioni vasca (cm)	Cap. vasca (l)	Attacco gas e acqua Ø "	Ass. el (W)	Alim. (kW)	Peso (kg)
MODEL	Tank dim (cm)	Tank cap. (l)	Gas and water coupling Ø "	Power cons. (W)	El. supply (kW)	Weight (kg)
<b>SU ARMADIO / ON CUPBOARD</b>						
<b>CPG74A</b>	31x34x30	26	1/2"	10	230V, 1N, 50/60 Hz	50
<b>CPG77A</b>	51x31x30	40	1/2"	10	230V, 1N, 50/60 Hz	68
<b>CPG94A</b>	30,5x31x27,5	40	1/2"	10	230V, 1N, 50/60 Hz	57
<b>CPG98A</b>	(30,5x31x27,5)x2	40+40	1/2"	10	230V, 1N, 50/60 Hz	94
<b>TOP</b>						
<b>CPG77T</b>	51x31x30	40	1/2"	10	230V, 1N, 50/60 Hz	60
<b>CPG945T</b>	30,5x31x27,5	40	1/2"	10	230V, 1N, 50/60 Hz	57

**TENSIONE DI ALIMENTAZIONE NOMINALE:** 230 V ~ 1N 50/60 Hz. N.B.: La potenza assorbita con 220 V ~ 1N 50/60 Hz è circa 8% inferiore. La potenza assorbita con 240 V ~ 1N 50/60 Hz è circa 8% superiore.

**RATED SUPPLY VOLTAGE:** 230 V ~ 1N 50/60 Hz. N.B.: The power absorbed with 220 V ~ 1N 50/60 Hz is about 8% lower. The power absorbed with 240 V ~ 1N 50/60 Hz is about 8% lower.

<b>CARATTERISTICHE ACQUA / WATER SPECIFICS</b>	
Durezza / Hardness	Softened Max. 7°TH (5°e, 4°dH, 70ppm)
Qualità / Quality	Chloride Cl <sup>-</sup> : 100 mg/l max. / Chlorine Cl <sub>2</sub> : 0.2mg/l max
Conducibilità / Conductivity	Min 20 µS/cm
Temperatura acqua in ingresso / Inlet water temperature	Max 60 °C

/ TECHNICAL DATA

<b>AT</b> / Austria	<b>EE</b> / Estonia	<b>IS</b> / Iceland	<b>NO</b> / Norway
<b>AL</b> / Albania	<b>ES</b> / Spain	<b>IT</b> / Italy	<b>PL</b> / Poland
<b>BE</b> / Belgium	<b>FI</b> / Finland	<b>LT</b> / Lithuania	<b>PT</b> / Portugal
<b>BG</b> / Bulgaria	<b>FR</b> / France	<b>LV</b> / Latvia	<b>RO</b> / Romania
<b>CH</b> / Switzerland	<b>GB</b> / UK	<b>LU</b> / Luxem- bourg	<b>SE</b> / Sweden
<b>CY</b> / Cyprus	<b>GR</b> / Greece	<b>MK</b> / Macedonia	<b>SI</b> / Slovenia
<b>CZ</b> / Czech Rep.	<b>HR</b> / Croatia	<b>MT</b> / Malta	<b>SK</b> / Slovakia
<b>DE</b> / Germany	<b>HU</b> / Hungary	<b>NL</b> / Netherland	<b>TR</b> / Turkey
<b>DK</b> / Denmark	<b>IE</b> / Ireland		

IT, IE, GR, GB, ES, PT, BG, CZ, DK, FI, EE, SE, HR, LT, LU, LV, NO, PL,  
RO, SI, SK, TR, AL, MK, CH

Modelli – Models		CPG74A	CPG77A	CPG94.../ 98... <sup>**</sup>	
Tipo – Type <b>A1</b>					
<b>Potenza nominale - Nominal thermal power</b>	<b>(kW)</b>		8,5 (8,8 G30/31)	13,3	13,3 <sup>**</sup>
<b>Consumo gas - Gasconsumption</b>	<b>G20</b>	<b>m<sup>3</sup>/h</b>	0,900	1,406	1,406 <sup>**</sup>
	<b>G30/G31</b>	<b>kg/h</b>	0.693/ 0.683	1,048/ 1,033	1,048 <sup>**</sup> / 1,033 <sup>**</sup>
<b>Bruciatore principale - Main burner</b>	<b>G20 20 mbar*</b>		215/ 350L	255/350L	255/350L
<b>R.D.A.-X mm</b>			-	-	-
<b>BY PASS-Ø-1/100mm</b>			110	150	150
<b>Bruciatore pilota - Pilot burner (max 0,25 kW)</b>	<b>G20 20 mbar*</b>		36	36	36
<b>Bruciatore principale - Main burner</b>	<b>G30/G31 28-30/37 mbar* G30/ G31 30/30 mbar* G31 37 mbar*</b>		145/250K	190K	190K
<b>R.D.A.-X mm</b>			-	-	-
<b>BY PASS-Ø-1/100mm</b>			80	105	105
<b>Bruciatore pilota Pilot burner (max 0,25 kW)</b>	<b>G30/G31 28-30/37 mbar* G30/ G31 30/30 mbar* G31 37 mbar*</b>		19	19	19

\*Pressione gas alla rampa / Inlet gas pressure

\*\*Raddoppiare i valori / Double the values / Doubler les valeurs / Duplica los valores / Die Werte verdoppeln / Dobre os valores / Verdubbel de waarden / Podwoić wartości / Удвойте ценности / Doble verdieni

IL PRESENTE MANUALE È DI PROPRIETÀ DEL FABBRICANTE E OGNI RIPRODUZIONE ANCHE PARZIALE È VIETATA.

AT, CH					
Modelli – Models			CPG74A	CPG77A	CPG94.../98...**
Tipo – Type A1					
Potenza nominale - Nominal thermal power	(kW)		8,5	13,3 (14 kW G30/31)	13,3 (14 kW G30/31)
Consumo gas - Gasconsumption	G20	m³/h	0,900	1,406	1,406
	G30/ G31	kg/h	0,670/0,660	1,103/1,087	1,103/1,087
Bruciatore princ - Main burner	G20 20 mbar*		215/350L	255/350L	255/350L
R.D.A.-X mm			-	-	-
BY PASS-Ø-1/100mm			110	150	150
Bruciatore pilota - Pilot burn- er (max 0,25 kW)	G20 20 mbar*		36	36	36
Bruciatore principale - Main burner	G30/G31 50 mbar*		130/250M	165/350L	165/350L
R.D.A.-X mm			-	-	-
BY PASS-Ø-1/100mm			70	90	90
Bruciatore pilota / Pilot burner (max 0,25 kW)	G30/G31 50 mbar*		19	19	19

BE, FR					
Modelli – Models			CPG74A	CPG77A	CPG94.../98...**
Tipo – Type A1					
Potenza nominale - Nominal thermal power	(kW)		8,5 (8,8 kW G30/31)	13,3	13,3**
Consumo gas - Gasconsumption	G20	m³/h	0,900	1,406	1,406**
	G25	m³/h	0,957	1,636	1,636**
	G30/ G31	kg/h	0,693/0,683	1,048/1,033	1,048/1,033**
Bruciatore princ - Main burner	G20/G25 20/25 mbar*		215/350L	255/350L	255/350L
R.D.A.-X mm			-	-	-
BY PASS-Ø-1/100mm			110	150	150
Bruc. pil. - Pilot burner (max 0,25 kW)	G20/G25 20/25 mbar*		36	36	36
Bruc.princ - Main burner	G30/G31 28-30/37 mbar*		145/250K	190K	190K
R.D.A.-X mm			-	-	-
BY PASS-Ø-1/100mm			80	105	105
Bruciatore pilota Pilot burner (max 0,25 kW)	G30/G31 28-30/37 mbar*		19	19	19

DE				
Modelli – Models		CPG74A	CPG77A	CPG94... / 98... **
Tipo – Type A1				
Potenza nominale - Nominal thermal power	(kW)		8,5	13,3 (14 kW G30/31)
Consumo gas - Gasconsumption	G20	m <sup>3</sup> /h	0,900	1,406
	G25	m <sup>3</sup> /h	0,957	1,636
	G30/G31	kg/h	0,670/0,660	1,103/1,087
Bruciatore princ - Main burner	G20 20 mbar*		215/350L	255/350L
R.D.A.-X mm			-	-
BY PASS-Ø-1/100mm			110	150
Bruc. pil. - Pilot burner (max 0,25 kW)	G20 20 mbar*		36	36
Bruc.princ - Main burner	G25 20 mbar*		225/350L8	295/410L
R.D.A.-X mm			-	-
BY PASS-Ø-1/100mm			135	180
Bruciatore pilota Pilot burner (max 0,25 kW)	G25 20 mbar*		36	36
Bruc.princ - Main burner	G30/G31 50 mbar*		130/250M	165/350L
R.D.A.-X mm			-	-
BY PASS-Ø-1/100mm			70	90
Bruciatore pilota - Pilot burner (max 0,25 kW)	G30/G31 50 mbar*		19	19

MT, CY, IS				
Modelli – Models		CPG74A	CPG77A	CPG94... / 98... **
Tipo – Type A1				
Potenza nominale - Nominal thermal power	(kW)		8,8	13,3
Consumo gas - Gasconsumption	G30/ G31	kg/h	0,693/0,683	1,048/1,033
	G30/G31 30/30 mbar*		145/250K	190K
Bruciatore princ - Main burner	G30/G31 30/30 mbar*		145/250K	190K
R.D.A.-X mm			-	-
BY PASS-Ø-1/100mm			80	105
Bruc. pil - Pilot burner (max 0,25 kW)	G30/G31 30/30 mbar*		19	19

\*Pressione gas alla rampa / Inlet gas pressure

\*\*Raddoppiare i valori / Double the values

NL					
Modelli – Models			CPG74A	CPG77A	CPG94... / 98...**
Tipo – Type A1					
Potenza nominale - Nominal thermal power	(kW)		8,5 (8,8 G30/31)	13,3	13,3**
Consumo gas - Gasconsumption	G20	m <sup>3</sup> /h	0,900	1,406	1,406**
	G25.3	m <sup>3</sup> /h	1,022	1,599	1,599**
	G30/ G31	kg/h	0,693/ 0,683	1,048/1,033	1,048/1,033**
Bruciatore princ - Main burner	G20 20 mbar*		215/350L	255/350L	255/350L
R.D.A.-X mm			-	-	-
BY PASS-Ø-1/100mm			110	150	150
Bruc. pil. - Pilot burner (max 0,25 kW)	G20 20 mbar*		36	36	36
Bruciatore princ - Main burner	G25.3 25 mbar*		200/350L8	270/410L	255/350L8
R.D.A.-X mm			-	-	-
BY PASS-Ø-1/100mm			110	180	180
Bruc. pil. - Pilot burner (max 0,25 kW)	G25.3 25 mbar*		36	36	36
Bruciatore princ - Main burner	G30/G31 30/30 mbar*		145/250K	190K	190K
R.D.A.-X mm			-	-	-
BY PASS-Ø-1/100mm			80	105	105
Bruc. pil. - Pilot burner (max 0,25 kW)	G30/G31 30/30 mbar*		19	19	19

\*Pressione gas alla rampa / Inlet gas pressure

\*\*Raddoppiare i valori / Double the values / Doubler les valeurs / Duplica los valores / Die Werte verdoppeln / Dobre os valores / Verdubbel de waarden / Podwoić wartości / Удвойте ценности / Doble verdienne

HU					
Modelli – Models		CPG74A		CPG77A	CPG94.../98...**
Tipo – Type A1					
Potenza nominale - Nominal thermal power	(kW)		8,5 (8,8 G30/31)	13,3	13,3**
	<b>G20</b>	m <sup>3</sup> /h	0,900	1,406	1,406**
Consumo gas - Gasconsumption	<b>G25.1</b>	m <sup>3</sup> /h	1,044	1,633	1,633**
	<b>G30/G31</b>	kg/h	0,693/0,683	1,048/1,033	1,048/1,033**
Bruciatore princ - Main burner	<b>G20 25 mbar*</b>		195/350L	250/350L	250/350L
R.D.A.-X mm	<b>G20 25 mbar*</b>		-	-	-
Bruciatore princ - Main burner	<b>G25.1 25 mbar*</b>		250/410L8	295/410L	295/410L
R.D.A.-X mm	<b>G25.1 25 mbar*</b>		-	-	-
Bruciatore princ - Main burner	<b>G20 25 mbar*</b>		115	150	150
R.D.A.-X mm	<b>G25.1 25 mbar*</b>		135	180	180
Bruc. pil. - Pilot burner (max 0,25 kW)	<b>G20 25 mbar*</b>	<b>G25.1 25 mbar*</b>	36	36	36
Bruciatore princ - Main burner	<b>G30/G31 29/37 mbar*</b>		145/250K	190K	190K
R.D.A.-X mm			-	-	-
BY PASS-Ø-1/100mm			80	105	105
Bruc. pil. - Pilot burner (max 0,25 kW)	<b>G30/G31 29/37 mbar*</b>		19	19	19

ALL COUNTRIES					
Modelli – Models		CPG74A		CPG77A	CPG94.../98...**
Tipo – Type A1					
Potenza ridotta - Reduced thermal power	(kW)		2,4	3,7 / 4 (G30/31)	3,7 / 4 (G30/31)
	<b>G20</b>	m <sup>3</sup> /h	0,254	0,391	0,391
Consumo gas - Gasconsumption	<b>G30/G31</b>	kg/h	0,189/0,186	0,292/0,287	0,292/0,287

\*Pressione gas alla rampa / Inlet gas pressure

\*\*Raddoppiare i valori / Double the values / Doubler les valeurs / Duplica los valores / Die Werte verdoppeln / Dobre os valores / Verdubbel de waarden / Podwoić wartości / Удвойте ценности / Doble verdene



# ON TOP / ON CUPBOARD

## CPG74 / CPG77

### LEGENDA SIMBOLI / LEGEND



INGRESSO GAS / GAS INLET  
(EN 10226-1) Ø M 1/2"



INGRESSO ACQUA /  
WATER INLET Ø M 1/2"



ATTACCO EQUIPOTENZIALE /  
EQUIPOTENTIAL



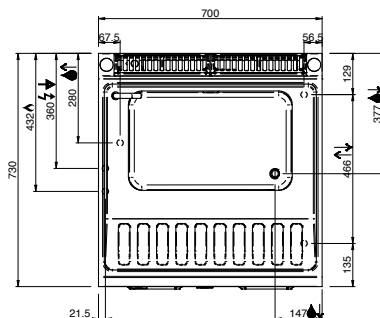
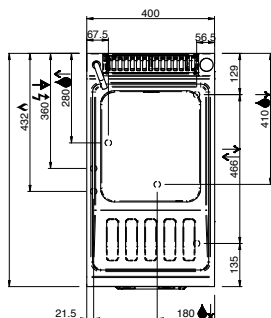
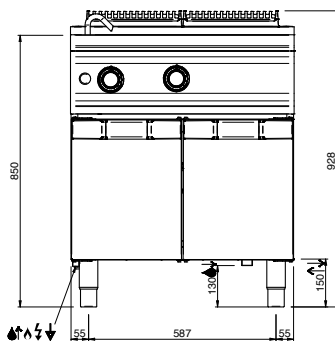
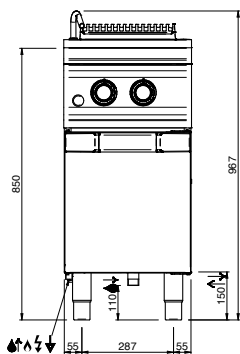
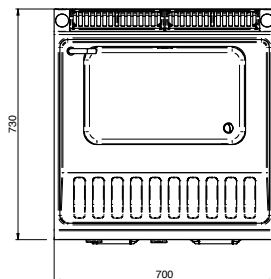
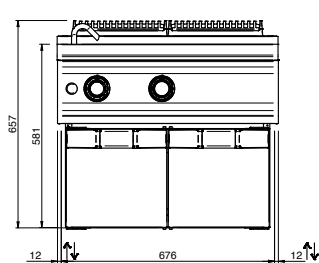
ALIMENTAZIONE ELETTRICA /  
POWER SUPPLY



SCARICO ACQUA / OLII  
WATER / OILS DRAIN



REGOLAZIONE PIEDINI /  
FEET ADJUSTMENT (h 0/+50)  
/ TOP VERSION (h 0/+5)



CPG94A / CPG98A

LEGENDA SIMBOLI / LEGEND



INGRESSO GAS / GAS INLET  
(EN 10226-1) Ø M 1/2"



INGRESSO ACQUA /  
WATER INLET Ø M 1/2"



ATTACCO EQUIPOTENZIALE /  
EQUIPOTENTIAL



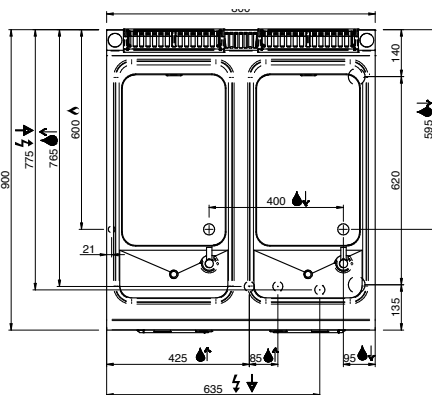
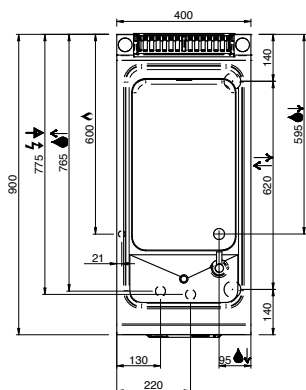
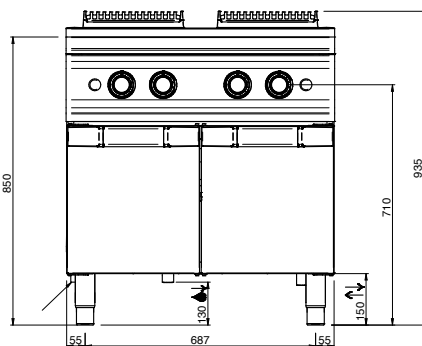
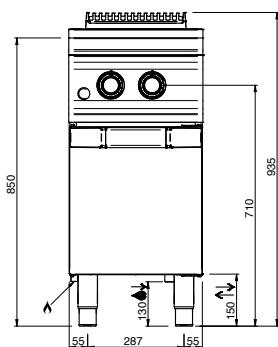
ALIMENTAZIONE ELETTRICA /  
POWER SUPPLY



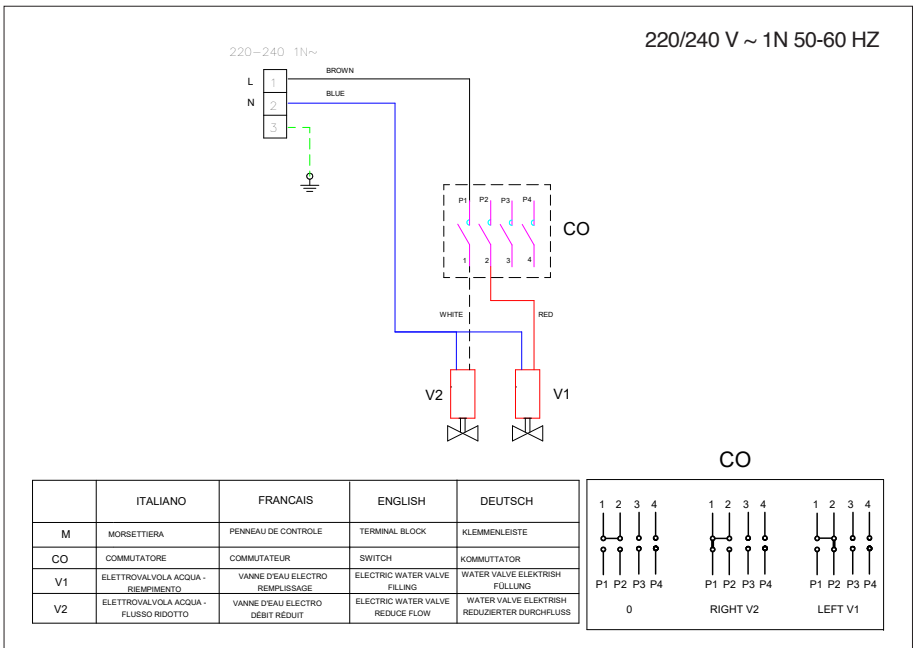
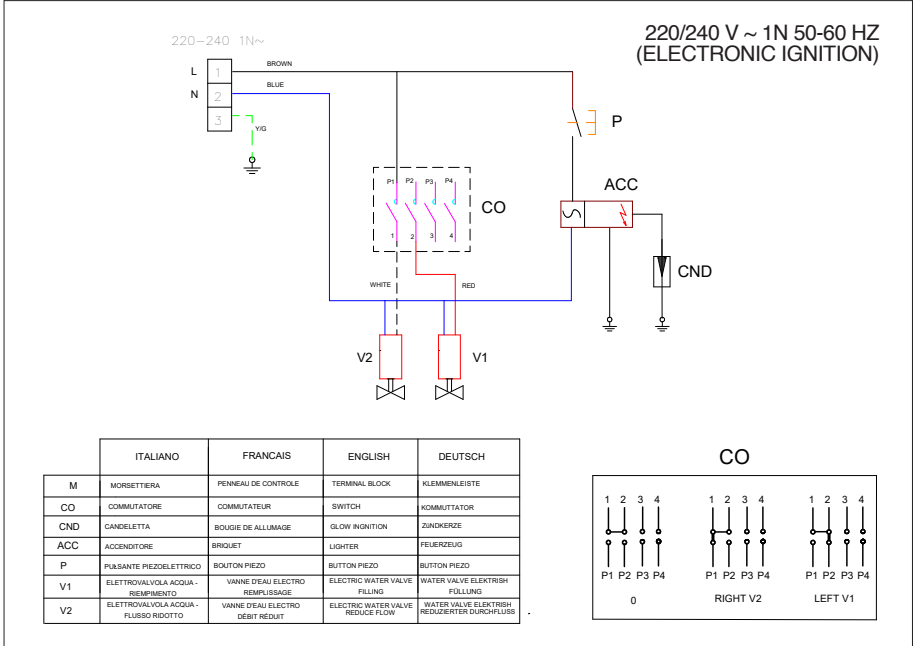
SCARICO ACQUA / OLII  
WATER / OILS DRAIN



REGOLAZIONE PIEDINI /  
FEET ADJUSTMENT (h 0/+50)  
/ TOP VERSION (h 0/+5)

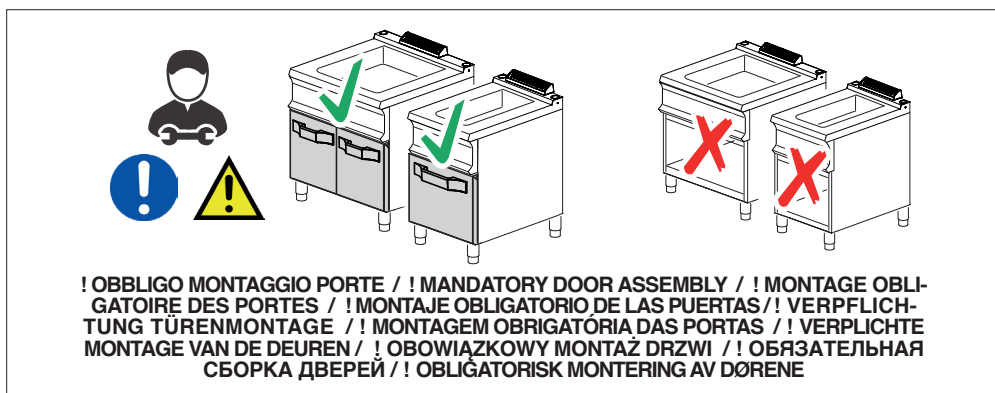
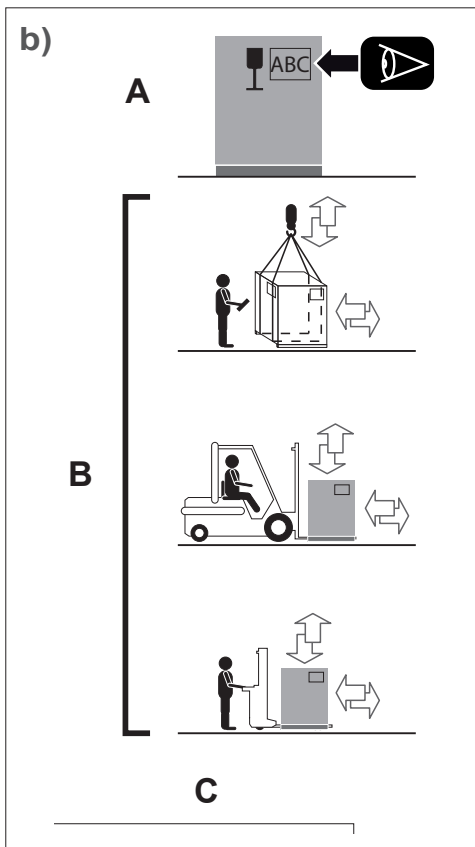
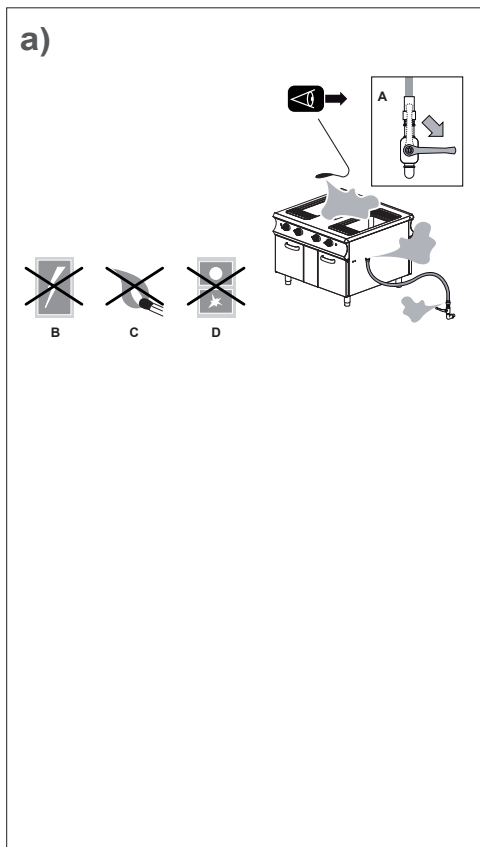


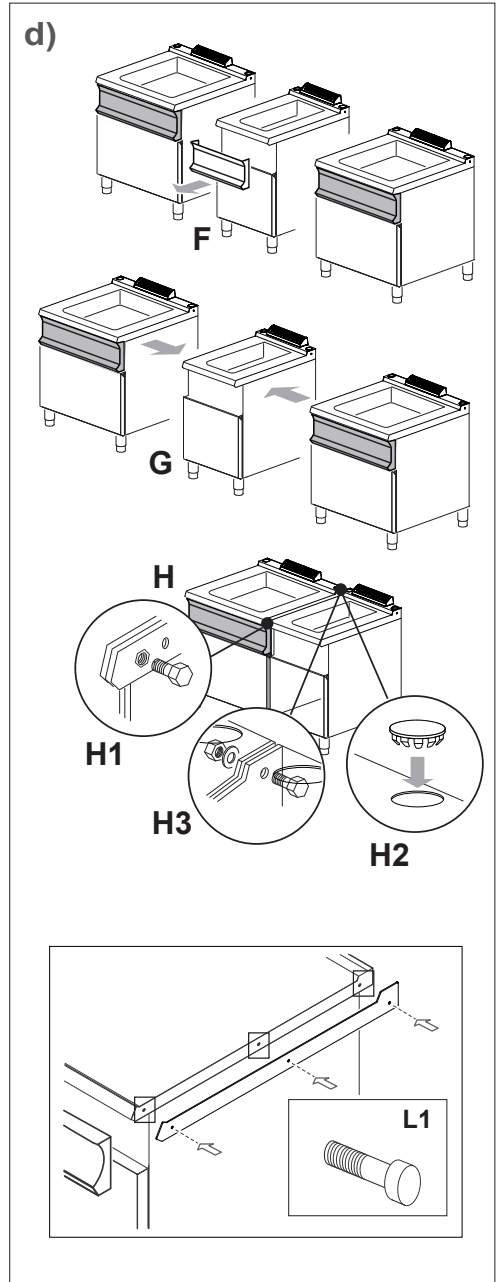
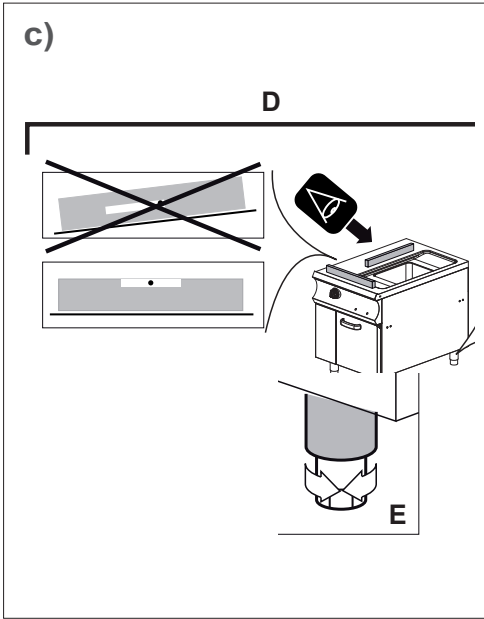
# SCHEMA ELETTRICO - WIRING DIAGRAM

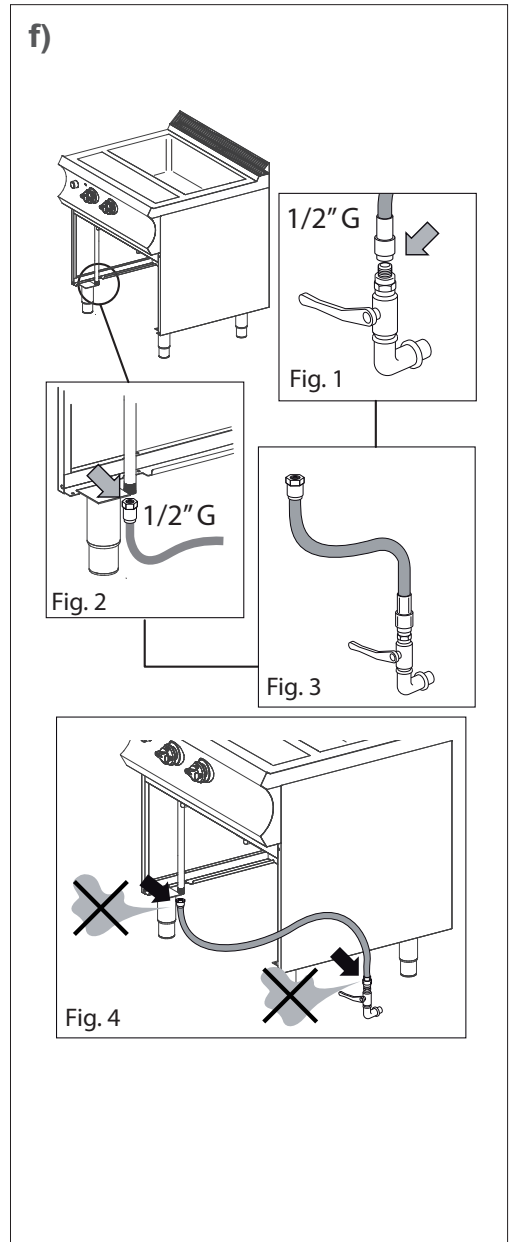
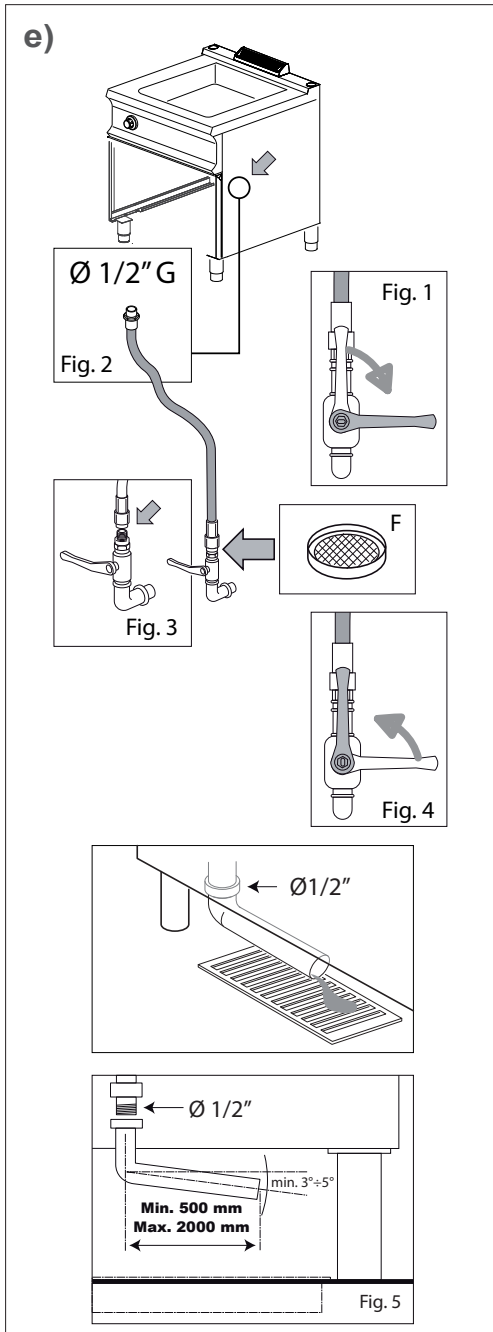


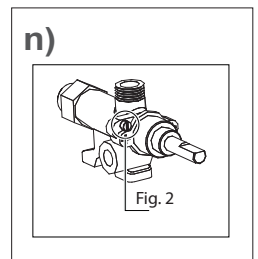
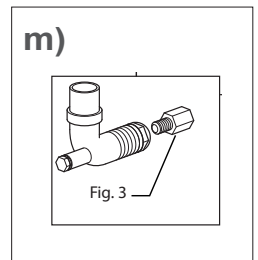
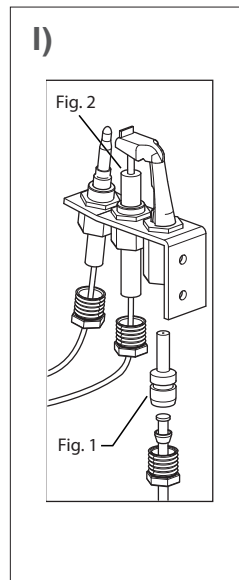
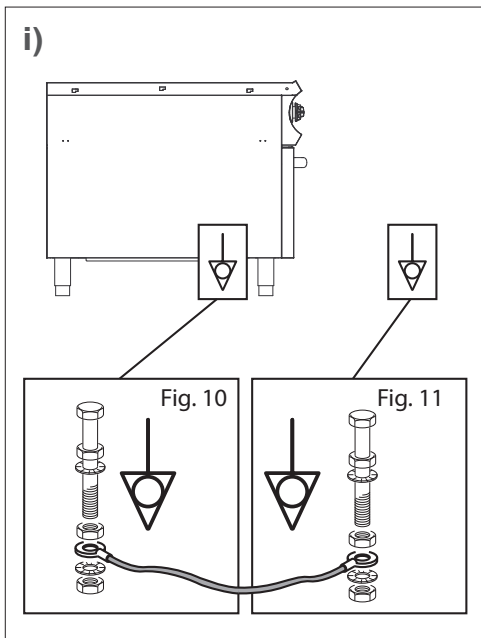
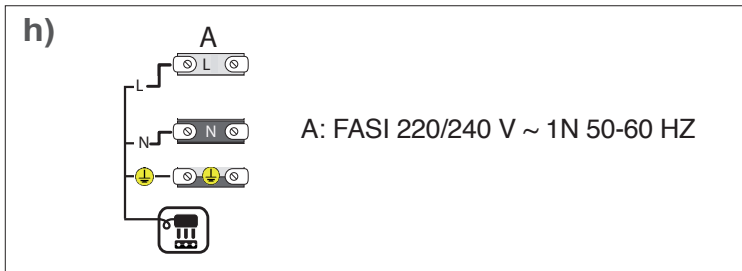
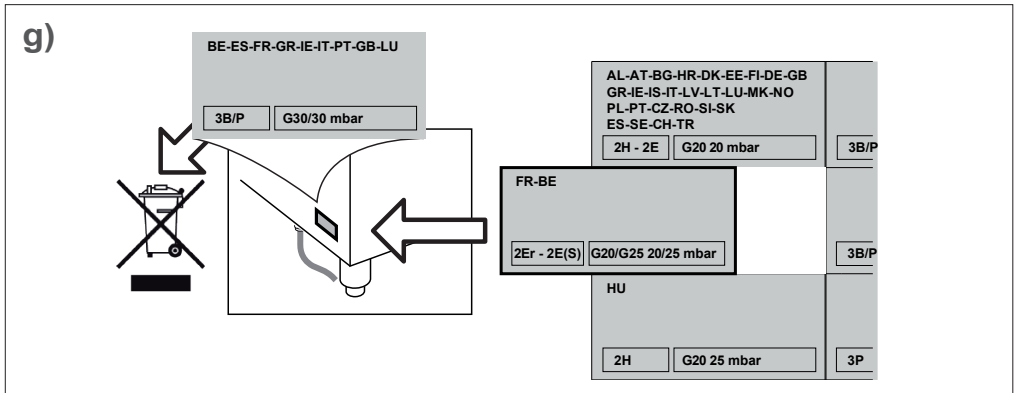


INSTALLAZIONE / INSTALLATION











USO / USER

