



MOD : G9/4BFE8-N

Production code : DIFB98FEXL

09/2023

CODICE - CODE - CODE - CÓDIGO - KOD - КОД - KODE	N° 200768
EDIZIONE - EDITION - EDITION - EDICIÓN - AUSGABE - EDIÇÃO - WYDANIE - EDITIE - UTGAVE - UTGÅVA- KIA- DAS	Rev. 1 - 03/2022
TIPO DI DOCUMENTO - TYPE OF DOCUMENT - TYPE DE DOCUMENT - TIPO DE DOCUMENTO - DOKUMENTTYP - TIPO DE DOCUMENTO - TYP DOKUMENTU - DOCUMENT- TYPE - ТИП ДОКУМЕНТА - TYPE DOKUMENT - TYP AV DOKUMENT	M.I.U. / manuale di installazione e uso / installation and user manual
MODELLO - MODEL - MODÈLE - MODELO - MODELL - МОДЕЛЬ - MODELL - MODELL	GAS / GAZ
ANNO - YEAR - ANNÉE - AÑO - ANO - ROK - JAAR - ГОД - BYGGEÅR - ÅR - ÉVE	2022
CONFORMITÀ - CONFORMITY - CONFORMITÉ - CONFORMIDAD - KONFORMITÄT - CONFORMIDADE - ZGODNOŚĆ - CONFORMITEIT - MEGFELELÉSÉRT	CE

TARGA DI IDENTIFICAZIONE - IDENTIFICATION PLATE

A - Indirizzo Costruttore - Manufacturer's Address

B - Apparecchiatura Elettrica - Electrical Appliance

C - Apparecchiatura Gas - Gas Appliance

A	MADE IN EU COMMERCIAL COOKING EQUIPMENT	CE
	REA 1523814 ITALY	
V	MODEL MOD M	B
Hz	SE NO. NUM. S	
		DR

A	Mod.	SN° DR					
	V	Hz	kW Type				
Cat.	ES-ES-IE	PT	PL	FR-BE	NL	MT-CY	AT-CH
Pr (mbar)	I2H3+	I2H3+	I2E3P	I2E4+	I2L3P	I3BP	I2H3BP
	20,29/37	20,29/37,50/67	20,37	20/25,29/37	25,37,50	30	20,50
Cat.	LU	NO-EE-LT-SK-SI-TR	GR	DE	AL-IS-DK-FI-SE-BG	LV	
Pr (mbar)	I2E3P	I2H3P		I2E2L3BP	I2H3BP	I2H	
	20,37,50	20		20,20,50	20,30	20	
CE	20h	kW	G23	m³/h	G30	Kg/h	
	EN203-1 0694	PIN N° BL2792	G23	m³/h	G31	Kg/h	

NORMATIVE / STANDARDS OF REFERENCE

/ **Reg. 2016/426/CE (GAR)** / EN 437 EN 203-1 EN 203-2-1 EN 203-2-2
EN 203-2-9

/ **Dir. 2014/35/EU (LVD)** / EN 62233; EN 60335-1 EN 60335-2-36 + A1 +
A2 + A11 EN 60335-2-42 EN 60335-2-102

/ **Dir. 2014/30/EU (EMC)** / EN 55014-1 + A1 + A2 EN55014-2 + A1+ A2
EN61000-3-2 + A1 + A2 EN61000-3-3

/ **Dir. 2011/65/EU (ROHS II)** / **Dir. 2012/19/EU (WEEE)**

/ **Reg. 1935/2004/CE (MOCA)**

/ 700 - TECHNICAL DATA

MODELLO	Portata termica		Forno 6 kW	Piastra 10 kW	Attacco gas Ø "	Forno elettrico (kW)	Al. ele	Peso (kg)
	5,5 kW	7 kW						
MODEL	Thermal range		Oven 6 kW	Plate 10 kW	Gas coupling Ø "	Ele. oven (kW)	Ele. supply	Weight (kg)
	5,5 kW	7 kW						
SU ARMADIO / ON CABINET								
FB74AXS	2	-	-		1/2"	-	-	43
FB77AXS	4	-	-		1/2"	-	-	67
FB711AXS	6	-	-		1/2"	-	-	94
FB74AXL	-	2	-		1/2"	-	-	43
FB77AXL	-	4	-		1/2"	-	-	67
FB711AXL	-	6	-		1/2"	-	-	94
FB711MA4XL	-	4	-	1(5,5)	1/2"	-	-	-
TPG77A			-	1	1/2"	-	-	83
SU FORNO / ON OVEN								
FB77FGXS	4	-	1		1/2"	-	-	94
FB77FEXS	4	-	-		1/2"	5.3	380/415V 3N, 50/60 Hz	95
FB77FEVXS	4	-	-		1/2"	2.6	230V, 1N, 50/60 Hz	87
FB711AFGXs	6	-	1		1/2"	-	-	131
FB711FGMXS	6	-	1 (8 kW)		1/2"	-	-	121
FB711AFEXS	6	-	-		1/2"	5.3	380/415V 3N, 50/60 Hz	134
FB77FGXL	-	4	1		1/2"	-	-	94
FB77FEXL	-	2	-	-	1/2"	5.3	380/415V 3N, 50/60 Hz	95
FB77FEVXL	-	2	-	-	1/2"	2.6	230V, 1N, 50/60 Hz	87
FB711AFGXL		6	1	-	1/2"	-	-	131
FB711FGMXL	-	6	1 (8 kW)	-	1/2"	-	-	121
FB711AFEXL	-	6	-	-	1/2"	5.3	380/415V 3N, 50/60 Hz	134



MODELLO	Portata termica		Forno 6 kW	Piastra 10 kW	Attacco gas Ø "	Forno elettrico (kW)	Al. ele	Peso (kg)
	5,5 kW	7 kW						
MODEL	Thermal range		Oven 6 kW	Plate 10 kW	Gas coupling Ø "	Ele. oven (kW)	Ele. supply	Weight (kg)
	5,5 kW	7 kW						

SU FORNO / ON OVEN

FB711MFG4XL	-	4	1	1(5,5)	1/2"	-	-	150
TPG711FG2XL	-	2	1	1	1/2"	-	-	160
TPG77FG	-	-	1	1	1/2"	-	-	116
TPG7152FG4XL	-	4	2	1	1/2"	-	-	320

TOP

FB74TXS	2	-	-	-	1/2"	-	-	32
FB77TXS	4	-	-	-	1/2"	-	-	54
FB711TXS	6	-	-	-	1/2"	-	-	70
FB74TXL	-	2	-	-	1/2"	-	-	32
FB77TXL	-	4	-	-	1/2"	-	-	54
FB711TXL	-	6	-	-	1/2"	-	-	70
TPG77T	-	-	-	1	1/2"	-	-	68
TPG711T2XL	-	2	-	1	1/2"	-	-	100
TPG715T4XL	-	4	-	1	1/2"	-	-	122

MODEL	Dim. forno / oven (cm)	Pot. / Power (kW)	Tipo di alimentazione / Power supply						Forno / oven ele. (kW)	Grill (kW)
			380/415 V ~ 3N 50-60 Hz		220/240 V ~ 3 50-60 Hz		220/240 V ~ 1N 50-60 Hz			
			Ass A/F	n. cavi / cables x mm ²	Ass A/F	n. cavi / cables x mm ²	Ass A/F	n. cavi / cables x mm ²		
SU FORNO / ON OVEN										
FB77FE...	56x66x31	5,3	8	5x2,5	13	4x2,5	23	3x4	3,8	1,5
FB77FEV...	56x66x31	2,6	11	5x1,5	19	4x1,5	11	3x1,5	2,6	-
FB711AFE...	56x66x31	5,3	8	5x2,5	13	4x2,5	23	3x4	3,8	1,5



- I diametri degli ugelli sono espressi in 1/100mm – The diameter of the nozzles are indicated in 1/100mm - Le diamètres des gicleurs sont exprimés en 1/100mm - Diameter der Düsen ist in 1/100mm angegeben – Los diámetros de las boquillas se indican en 1/100mm - A fűvökák átmérője 1/100mm-ben van kifejezve

- **RDA**:Regolazione dell'aria primaria; Primary air regulation; Réglage de l'air primaire; Primärluft-einstellung; Regulación de la entrada del aire; Primer levegő szabályozás;
- **5,5kW**: Bruc.piccolo; Small burner; Petit bruleur; Kleinen brenners; Quemador pequeno; Kis égőfej / **7.0kW**: Bruc.medio; Medium burner; Bruleur moyen; Mittleren brenners; Quemador mediano; Közep. égőfej / **6kW**: Bruc. Forno; Oven burner; Bruleur four; Backofen-brennerduesen; Quemador horno; Égőfej Sütő / **5.5kW****: Bruc.piastra di cottura; Solid top Burner; Bruleur plaques de cuisson; Gluehplatten-brennerduesen; Quemador plancha; Főzőlap égőfej / **8.0kW**: Bruciatore forno maxi; Bruleur four maxi; Backofen-brennerdüsen maxi; Quemador horno maxi; Sütő maxi égőfej / **10kW**: Bruc. Tuttapiastro; Solid top Burner; Bruleur de plaques coupe-feu; Gluehplatten-brennerduesen; Quemador plancha; Égőfej Teli főzőlap

/ 900 - TECHNICAL DATA

MODELLO	Portata termica			Forno 7 kW	Piastra 12 kW	Attacco gas Ø "	Forno elettrico (kW)	Al. ele	Peso (kg)
	5,5 kW	7 kW	11 kW						
MODEL	Thermal range			Oven 7 kW	Plate 12 kW	Gas coupling Ø "	Ele. oven (kW)	Ele. supply	Weight (kg)
	5,5 kW	7 kW	11 kW						
SU ARMADIO / ON CABINET									
FB94AXXS	2	-	-	-		1/2"	-	-	51
FB94AXL	-	1	1	-		1/2"	-	-	51
FB94AXXL			2			1/2"			51
FB98AXXS	4	-	-	-		1/2"	-	-	80
FB98AXL	-	2	2	-		1/2"	-	-	80
FB98AXXL	-	1	3	-		1/2"	-	-	80
FB912AXXS	6	-	-	-		1/2"	-	-	113
FB912AXXL	-	3	3	-		1/2"	-	-	113
TPG98A				-	1	1/2"	-	-	100
SU FORNO / ON OVEN									
FB98FGXXS	4	-	-	1		1/2"	-	-	112
FB98FGXL	-	2	2	1		1/2"	-	-	112
FB98FGXXL	-	1	3	1		1/2"	-	-	112
FB98FEXXS	4	-	-	-		1/2"	6	380/415V 3N, 50/60 Hz	112
FB98FEXL	-	2	2	-		1/2"	6	380/415V 3N, 50/60 Hz	112
FB912AFGXXL	-	3	3	1		1/2"	-	-	153
FB912AFEXXS	6	-	-	-		1/2"	6	380/415V 3N, 50/60 Hz	153
FB912AFEXXL	-	3	3	-		1/2"	6	380/415V 3N, 50/60 Hz	153
FB912FGMXXL	-	3	3	1(10kW)		1/2"	-	-	180
FB912FGMGXXL	-	3	3	1(10kW)		1/2"	5 (grill)	380/415V 3N, 50/60 Hz	182
TPG98FG				1	1	1/2"	-	-	125
TPG912FGXL	-	1	1	1	1	1/2"	-	-	180

MODELLO	Portata termica			Forno 7 kW	Piastra 12 kW	Attacco gas Ø "	Forno elettrico (kW)	Al. ele	Peso (kg)
	5,5 kW	7 kW	11 kW						
MODEL	Thermal range			Oven 7 kW	Plate 12 kW	Gas coupling Ø "	Ele. oven (kW)	Ele. supply	Weight (kg)
	5,5 kW	7 kW	11 kW						
TOP									
FB94TXXS	2	-	-	-	-	1/2"	-	-	43
FB94TXL	-	1	1	-	-	1/2"	-	-	43
FB94TXXL	-	-	2	-	-	1/2"	-	-	43
FB98TXXS	4	-	-	-	-	1/2"	-	-	71
FB98TXL	-	2	2	-	-	1/2"	-	-	71
FB98TXXL	-	1	3	-	-	1/2"	-	-	71
FB912TXXS	6	-	-	-	-	1/2"	-	-	99
FB912TXXL	-	3	3	-	-	1/2"	-	-	99
TPG98T				-	1	1/2"	-	-	85

MODEL	Dim. forno / oven (cm)	Pot. / Power (kW)	Tipo di alimentazione / Power supply						Forno / oven ele. (kW)	Grill (kW)
			380/415 V ~ 3N 50-60 Hz		220/240 V ~ 3 50-60 Hz		220/240 V ~ 1N 50-60 Hz			
			Ass A/F	n. cavi / cables x mm ²	Ass A/F	n. cavi / cables x mm ²	Ass A/F	n. cavi / cables x mm ²		
SU FORNO / ON OVEN										
FB98FE...	54x69,5x32	6	9	5x2,5	15	4x2,5	26	3x4	3,8	2,2
FB912AFE...	54x69,5x32	6	9	5x2,5	15	4x2,5	26	3x4	3,8	2,2
FB912FGMG...	100x69,5x32	5	7	5x4	13	4x2,5	22	3x4	-	5



- I diametri degli ugelli sono espressi in 1/100mm – The diameter of the nozzles are indicated in 1/100mm - Le diamètres des gicleur sont exprimés en 1/100mm - Diameter der Düsen ist in 1/100mm angegeben – Los diámetros de las boquillas se indican en 1/100mm - A fűvókák átmérője 1/100mm-ben van kifejezve

- **RDA**: Regolazione dell'aria primaria; Primary air regulation; Réglage de l'air primaire; PrimärluftEinstellung; Regulación de la entrada del aire; Primer levegő szabályozás;
 - **5,5kW**: Bruc.piccolo; Small burner; Petit bruleur; Kleinen brenners; Quemador pequeño; Kis égőfej / **7.0kW**: Bruc.medio; Medium burner; Bruleur moyen; Mittleren brenners; Quemador mediano; Közep. égőfej / **11kW**: Bruc.grande; Large burner; Bruleur grand; Große brenners; Quemador grande / **7kW**: Bruciatore forno; Bruleur four; Backofen-brennerdüsen; Quemador horno; Sütő égőfej/ **10kW**: Bruciatore forno maxi; Bruleur four maxi; Backofen-brennerdüsen maxi; Quemador horno maxi; Sütő maxi égőfej / **12kW**: Bruc. Tuttapiastro; Solid top Burner; Bruleur de plaques coupe-feu; Gluehplatten-brennerduesen; Quemador plancha; Egőfej Teli főzőlap

/ 700 - TECHNICAL DATA

AT / Austria
AL / Albania
BE / Belgium
BG / Bulgaria
CH / Switzerland
CY / Cyprus
CZ / Czech Rep.
DE / Germany
DK / Denmark

EE / Estonia
ES / Spain
FI / Finland
FR / France
GB / UK
GR / Greece
HR / Croatia
HU / Hungary
IE / Ireland

IS / Iceland
IT / Italy
LT / Lithuania
LV / Latvia
LU / Luxembourg
MK / Macedonia
MT / Malta
NL / Netherland
NO / Norway

PL / Poland
PT / Portugal
RO / Romania
SE / Sweden
SI / Slovenia
SK / Slovakia
TR / Turkey

**IT, IE, GR, GB, ES, PT, BG, CZ, DK, FI, EE, SE, HR,
 LT, LU, LV, NO, PL, RO, SI, SK, TR, AL, MK, CH**

Modelli – Models			5,5 kW	7,0 kW	6,0 kW	5,5 kW**	8 kW	10 kW
Tipo – Type A1								
Potenza nominale - Nominal thermal power	(kW)		5,5 (6 kW G30/31)	7 (6 kW G30/31)	6	5.5	8	10
Consumo gas - Gasconsumption	G20	m³/h	0,582	0,740	0,635	0,582	0,846	1,057
	G30/ G31	kg/h	0,473/ 0,466	0,473/ 0,466	0,473/ 0,466	0,434/ 0,427	0,630/ 0,621	0,788/ 0,776
Bruciatore principale - Main burner	G20 20 mbar*		165/250K	195L	185K	170K	205L	235K
R.D.A.-X mm					15	20	15	
BY PASS-Ø-1/100mm			80	85	95	95	100	180
Bruciatore pilota - Pilot burner (max 0,25 kW)	G20 20 mbar*		35	35	36	27	36	36
Bruciatore principale - Main burner	G30/G31 28-30/37 mbar* G30/G31 30/30 mbar* G31 37 mbar*		120K	120K	125K	115K	145K	155K
R.D.A.-X mm					15	20	8	
BY PASS-Ø-1/100mm			75	75	65	65	80	100
Bruciatore pilota Pilot burner (max 0,25 kW)	G30/G31 28-30/37 mbar* G30/G31 30/30 mbar* G31 37 mbar*		21	21	19	19	19	19

*Pressione gas alla rampa / Inlet gas pressure

** 5,5kW: Bruc. Mijotage; Mijotage Burner

AT, CH								
Modelli – Models		5,5 kW	7,0 kW	6,0 kW	5,5 kW**	8 kW	10 kW	
Tipo – Type A1								
Potenza nominale - Nominal thermal power	(kW)		5,5	7	6	5,5	8	10
Consumo gas - Gasconsumption	G20	m³/h	0,582	0,740	0,635	0,582	0,846	1,057
	G30/ G31	kg/h	0,433/ 0,427	0,552/ 0,543	0,473/ 0,466	0,434/ 0,427	0,630/ 0,621	0,788/ 0,776
Bruciatore princ - Main burner	G20 20 mbar*		165/250K	195L	185K	170K	205L	235K
R.D.A.-X mm					15	20	15	
BY PASS-Ø-1/100mm			80	85	95	95	100	180
Bruciatore pilota - Pilot burner (max 0,25 kW)	G20 20 mbar*		35	35	36	27	36	36
Bruciatore principale - Main burner	G30/G31 50 mbar*		95K	110K	105K	100/250K	120K	140K
R.D.A.-X mm					15	20	8	
BY PASS-Ø-1/100mm			75	75	55	55	70	90
Bruciatore pilota Pilot burner (max 0,25 kW)	G30/G31 50 mbar*		21	21	19	14	19	19

BE, FR								
Modelli – Models		5,5 kW	7,0 kW	6,0 kW	5,5 kW**	8 kW	10 kW	
Tipo – Type A1								
Potenza nominale - Nominal thermal power	(kW)		5,5 (6 kW G30/31)	7 (6 kW G30/31)	6	5,5	8	10
Consumo gas - Gasconsumption	G20	m³/h	0,582	0,740	0,635	0,582	0,846	1,057
	G25	m³/h	0,676	0,861	0,738	0,676	0,984	1,230
	G30/ G31	kg/h	0,433/ 0,466	0,433/ 0,466	0,473/ 0,466	0,434/ 0,427	0,630/ 0,621	0,788/ 0,776
Bruciatore princ - Main burner	G20/G25 20/25 mbar*		165/250K	195L	185K	170K	205L	235K
R.D.A.-X mm					15	20	15	
BY PASS-Ø-1/100mm			80	85	95	95	100	180
Bruc. pil. - Pilot burner (max 0,25 kW)	G20/G25 20/25 mbar*		35	35	36	27	36	36
Bruc.princ - Main burner	G30/G31 28-30/37 mbar*		120K	120K	125K	115K	145K	155K
R.D.A.-X mm					15	20	8	
BY PASS-Ø-1/100mm			75	75	65	65	80	100
Bruciatore pilota Pilot burner (max 0,25 kW)	G30/G31 28-30/37 mbar*		21	21	19	19	19	19

*Pressione gas alla rampa / Inlet gas pressure

** 5,5kW: Bruc. Mijotage; Mijotage Burner

DE								
Modelli – Models			5,5 kW	7,0 kW	6,0 kW	5,5 kW**	8 kW	10 kW
Tipo – Type A1								
Potenza nominale - Nominal thermal power	(kW)		5,5	7	6	5,5	8	10
Consumo gas - Gasconsumption	G20	m³/h	0,582	0,740	0,635	0,582	0,846	1,057
	G25	m³/h	0,676	0,861	0,739	0,677	0,984	1,230
	G30/ G31	kg/h	0,433/ 0,427	0,552/ 0,543	0,473/ 0,466	0,434/ 0,427	0,630/ 0,621	0,788/ 0,776
Bruciatore princ - Main burner	G20 20 mbar*		165/ 250K	195L	185K	170K	205L	235K
R.D.A.-X mm					15	20	15	
BY PASS-Ø-1/100mm			80	85	95	95	100	180
Bruc. pil. - Pilot burner (max 0,25 kW)	G20 20 mbar*		35	35	36	27	36	36
Bruc.princ - Main burner	G25 20 mbar*		180/ 250K	205/ 350L	195/ 350L	185/ 250K	220 350L	270K
R.D.A.-X mm					15	20	15	
BY PASS-Ø-1/100mm			80	85	105	100	110	180
Bruciatore pilota Pilot burner (max 0,25 kW)	G25 20 mbar*		35	35	36	27	36	36
Bruc.princ - Main burner	G30/G31 50 mbar*		95K	110K	105K	100/ 250K	120K	140K
R.D.A.-X mm					15	20	8	
BY PASS-Ø-1/100mm			75	75	55	55	70	90
Bruciatore pilota Pilot burner (max 0,25 kW)	G30/G31 50 mbar*		21	21	19	14	19	19

*Pressione gas alla rampa / Inlet gas pressure

** 5,5kW: Bruc. Mijotage; Mijotage Burner

MT, CY, IS								
Modelli – Models		5,5 kW	7,0 kW	6,0 kW	5,5 kW**	8 kW	10 kW	
Tipo – Type A1								
Potenza nominale - Nominal thermal power	(kW)		5,5	7	6	5,5	8	10
Consumo gas - Gasconsumption	G30/ G31	kg/h	0,473/ 0,466	0,473/ 0,466	0,473/ 0,466	0,434/ 0,427	0,630/ 0,621	0,788/ 0,776
Bruciatore princ - Main burner	G30/G31 30/30 mbar*		120K	120K	125K	115K	145K	155K
R.D.A.-X mm					15	20	8	
BY PASS-Ø-1/100mm			75	75	65	65	80	100
Bruc. pil - Pilot burner (max 0,25 kW)	G30/G31 30/30 mbar*		21	21	19	19	19	19

NL								
Modelli – Models		5,5 kW	7,0 kW	6,0 kW	5,5 kW**	8 kW	10 kW	
Tipo – Type A1								
Potenza nominale - Nominal thermal power	(kW)		5,5 (6 kW G30/31)	7 (6 kW G30/31)	6	5,5	8	10
Consumo gas - Gasconsumption	G20	m³/h	0,582	0,740	0,635	0,582	0,846	1,057
	G25.3	m³/h	0,661	0,842	0,721	0,661	0,962	1,202
	G30/ G31	kg/h	0,433/ 0,427	0,552/ 0,543	0,473/ 0,466	0,433/ 0,427	0,630/ 0,621	0,788/ 0,776
Bruciatore princ - Main burner	G20 20 mbar*		165/250K	195L	185K	170K	205L	235K
R.D.A.-X mm					15	20	15	
BY PASS-Ø-1/100mm			80	85	95	95	100	180
Bruc. pil. - Pilot burner (max 0,25 kW)	G20 20 mbar*		35	35	36	27	36	36
Bruciatore princ - Main burner	G25.3 25 mbar*		170/350L	195/350L	185/250K	170/250K	215/350L	225/350L
R.D.A.-X mm					15	20	15	
BY PASS-Ø-1/100mm			80	85	95	95	100	180
Bruc. pil. - Pilot burner (max 0,25 kW)	G25.3 25 mbar*		35	35	36	27	36	36
Bruciatore princ - Main burner	G30/G31 30/30 mbar*		120K	120K	125K	115K	145K	155K
R.D.A.-X mm					15	20	8	
BY PASS-Ø-1/100mm			75	75	65	65	80	100
Bruc. pil. - Pilot burner (max 0,25 kW)	G30/G31 30/30 mbar*		21	21	19	19	19	19

*Pressione gas alla rampa / Inlet gas pressure

** 5,5kW: Bruc. Mijotage; Mijotage Burner

HU							
Modelli – Models		5,5 kW	7,0 kW	6,0 kW	8 kW	10 kW	
Tipo – Type A1							
Potenza nominale - Nominal thermal power	(kW)		5,5 (6 kW G30/31)	7 (6 kW G30/31)	6	8	10
Consumo gas - Gasconsumption	G20	m³/h	0,582	0,740	0,634	0,634	1,057
	G25.1	m³/h	0,675	0,859	0,737	0,982	1,228
	G30/ G31	kg/h	0,433 /0,466	0,433 /0,466	0,441 /0,435	0,630 /0,621	0,788 /0,776
Bruciatore princ - Main burner	G20 25 mbar*		145/250K	185L	180K	195L	220K
R.D.A.-X mm	G20 25 mbar*				22	15	
Bruciatore princ - Main burner	G25.1 25 mbar*		175/250K	200/350L	185/350L	220/350L	270K
R.D.A.-X mm	G25.1 25 mbar*				22	15	
Bruciatore princ - Main burner	G20 25 mbar*		80	85	85	100	180
R.D.A.-X mm	G25.1 25 mbar*		80	85	100	115	180
Bruc. pil. - Pilot burner (max 0,25 kW)	G20 25 mbar* G25.1 25 mbar*		35	35	36	36	36
Bruciatore princ - Main burner	G30/G31 29/37 mbar*		120K	120K	125K	145K	155K
R.D.A.-X mm					15	8	
BY PASS-Ø-1/100mm			75	75	65	80	100
Bruc. pil. - Pilot burner (max 0,25 kW)	G30/G31 29/37 mbar*		21	21	19	19	19

ALL COUNTRIES

ALL COUNTRIES								
Modelli – Models		5,5 kW	7,0 kW	6,0 kW	5,5 kW**	8 kW	10 kW	
Tipo – Type A1								
Potenza ridotta - Reduced thermal power	(kW)		1,4 (G20) / 2,7 (G30/31)	1,4 (G20) / 3 (G30/31)	1,55	1,4 (G25) / 1,55 (other gases)	1,8 (G20)/ 2,35 (G30/31)	3,7
Consumo gas - Gasconsumption	G20	m³/h	0,148	0,148	0,164	0,164	0,190	0,391
	G20 (25 mbar)	m³/h	0,148	0,169	0,164	0,164	0,190	0,391
	G25	m³/h	0,172	0,172	0,191	0,172	0,221	0,455
	G25.1	m³/h	0,172	0,172	0,190	-	0,221	0,454
	G25.3	m³/h	0,168	0,168	0,186	0,186	0,216	0,445
	G30 /G31	kg/h	0,173/ 0,171	0,173/ 0,171	0,122/ 0,120	0,122/ 0,120	0,185/ 0,182	0,292/ 0,287
	G30/G31 (50 mbar)	kg/h	0,213/ 0,210	0,236/ 0,233	0,122/ 0,120	0,122/ 0,120	0,185/ 0,182	0,292/ 0,287

*Pressione gas alla rampa / Inlet gas pressure ** 5,5kW: Bruc. Mijotage; Mijotage Burner

IL PRESENTE MANUALE È DI PROPRIETÀ DEL FABBRICANTE E OGNI RIPRODUZIONE ANCHE PARZIALE È VIETATA.

/ 900 - TECHNICAL DATA

AT / Austria	EE / Estonia	IS / Iceland	PL / Poland
AL / Albania	ES / Spain	IT / Italy	PT / Portugal
BE / Belgium	FI / Finland	LT / Lithuania	RO / Romania
BG / Bulgaria	FR / France	LV / Latvia	SE / Sweden
CH / Switzerland	GB / UK	LU / Luxembourg	SI / Slovenia
CY / Cyprus	GR / Greece	MK / Macedonia	SK / Slovakia
CZ / Czech Rep.	HR / Croatia	MT / Malta	TR / Turkey
DE / Germany	HU / Hungary	NL / Netherland	
DK / Denmark	IE / Ireland	NO / Norway	

IT, IE, GR, GB, ES, PT, BG, CZ, DK, FI, EE, SE, HR, LT, LU, LV, NO, PL, RO, SI, SK, TR, AL, MK, CH

Modelli – Models			5,5 kW	7,0 kW	11,0 kW	7,0 kW**	10 kW	12 kW
Tipo – Type A1								
Potenza nominale - Nominal thermal power	(kW)		5,5 (6 kW G30/31)	7 (6 kW G30/31)	11 (8,6 kW G30/31)	7	10	12
Consumo gas - Gasconsumption	G20	m³/h	0,582	0,740	1,163	0,740	1,057	1,269
	G30/ G31	kg/h	0,473/ 0,466	0,473/ 0,466	0,678/ 0,668	0,552/ 0,543	0,788/ 0,776	0,985/ 0,971
Bruciatore principale - Main burner	G20 20 mbar*		165/250K	195L	245L	200K	235K	270L
R.D.A.-X mm						15	15	3
BY PASS-Ø-1/100mm			80	85	110	95	105	180
Bruciatore pilota - Pilot burner (max 0,25 kW)	G20 20 mbar*		35	35	35	36	36	36
Bruciatore principale - Main burner	G30/G31 28-30/37 mbar* G30/G31 30/30 mbar* G31 37 mbar*		120K	120K	145K	135K	155K	175K
R.D.A.-X mm						10	8	7
BY PASS-Ø-1/100mm			75	75	85	65	80	115
Bruciatore pilota Pilot burner (max 0,25 kW)	G30/G31 28-30/37 mbar* G30/G31 30/30 mbar* G31 37 mbar*		21	21	21	19	19	19

*Pressione gas alla rampa / Inlet gas pressure

**7 kW: Bruciatore Forno / Oven burner

AT, CH								
Modelli – Models		5,5 kW	7,0 kW	11,0 kW	7,0 kW**	10 kW	12 kW	
Tipo – Type A1								
Potenza nominale - Nominal thermal power	(kW)		5,5	7	11	7	10	12
Consumo gas - Gasconsumption	G20	m³/h	0,582	0,740	1,163	0,740	1,057	1,269
	G30/ G31	kg/h	0,433/ 0,427	0,552/ 0,543	0,867/ 0,854	0,552/ 0,543	0,788/ 0,776	0,985/ 0,971
Bruciatore princ - Main burner	G20 20 mbar*		165/250K	195L	245L	200K	235K	270L
R.D.A.-X mm						15	15	1
BY PASS-Ø-1/100mm			80	85	110	95	105	180
Bruciatore pilota - Pilot burner (max 0,25 kW)	G20 20 mbar*		35	35	35	36	36	36
Bruciatore principale - Main burner	G30/G31 50 mbar*		95K	110K	145K	115K	135K	145/250K
R.D.A.-X mm						8	8	7
BY PASS-Ø-1/100mm			75	75	80	55	70	100
Bruciatore pilota Pilot burner (max 0,25 kW)	G30/G31 50 mbar*		21	21	21	19	19	19

BE, FR								
Modelli – Models		5,5 kW	7,0 kW	11,0 kW	7,0 kW**	10 kW	12 kW	
Tipo – Type A1								
Potenza nominale - Nominal thermal power	(kW)		5,5 (6 kW G30/31)	7 (6 kW G30/31)	11 (8,6 kW G30/31)	7	10	12
Consumo gas - Gasconsumption	G20	m³/h	0,582	0,740	1,163	0,740	1,057	1,269
	G25	m³/h	0,676	0,861	1,353	0,861	1,230	1,476
	G30/ G31	kg/h	0,433/ 0,466	0,433/ 0,466	0,678/ 0,668	0,552/ 0,543	0,788/ 0,776	0,985/ 0,971
Bruciatore princ - Main burner	G20/G25 20/25 mbar*		165/250K	195L	245L	200K	235K	270L
R.D.A.-X mm						15	15	3
BY PASS-Ø-1/100mm			80	85	110	95	105	180
Bruc. pil. - Pilot burner (max 0,25 kW)	G20/G25 20/25 mbar*		35	35	35	36	36	36
Bruc.princ - Main burner	G30/G31 28-30/37 mbar*		120K	120K	145K	135K	155K	175K
R.D.A.-X mm						10	8	7
BY PASS-Ø-1/100mm			75	75	85	65	80	115
Bruciatore pilota Pilot burner (max 0,25 kW)	G30/G31 28-30/37 mbar*		21	21	21	19	19	19

*Pressione gas alla rampa / Inlet gas pressure **7 kW: Bruciatore Forno / Oven burner

DE								
Modelli – Models			5,5 kW	7,0 kW	11,0 kW	7,0 kW**	10 kW	12 kW
Tipo – Type A1								
Potenza nominale - Nominal thermal power	(kW)		5,5	7	11	7	10 (9,4 kW G25)	12 (12,5 kW G25)
Consumo gas - Gasconsumption	G20	m ³ /h	0,582	0,740	1,163	0,740	1,057	1,269
	G25	m ³ /h	0,676	0,861	1,353	0,861	1,156	1,537
	G30/ G31	kg/h	0,433/ 0,427	0,552/ 0,543	0,867/ 0,854	0,552/ 0,543	0,788/ 0,776	0,985/ 0,971
Bruciatore princ - Main burner	G20 20 mbar*		165/250K	195L	245L	200K	235K	270L
R.D.A.-X mm						15	15	3
BY PASS-Ø-1/100mm			80	85	110	95	105	180
Bruc. pil. - Pilot burner (max 0,25 kW)	G20 20 mbar*		35	35	35	36	36	36
Bruc.princ - Main burner	G25 20 mbar*		180/250K	205/350L	270L	215/350L	255K	275/350L
R.D.A.-X mm						15	15	6
BY PASS-Ø-1/100mm			80	85	110	105	115	180
Bruciatore pilota Pilot burner (max 0,25 kW)	G25 20 mbar*		35	35	35	36	36	36
Bruc.princ - Main burner	G30/G31 50 mbar*		95K	110K	145K	115K	135K	145/250K
R.D.A.-X mm						8	8	7
BY PASS-Ø-1/100mm			75	75	80	55	70	100
Bruciatore pilota Pilot burner (max 0,25 kW)	G30/G31 50 mbar*		21	21	21	19	19	19

*Pressione gas alla rampa / Inlet gas pressure **7 kW: Bruciatore Forno / Oven burner

MT, CY, IS

Modelli – Models		5,5 kW	7,0 kW	11,0 kW	7,0 kW**	10 kW	12 kW	
Tipo – Type A1								
Potenza nominale - Nominal thermal power	(kW)		5,5	7	8,6	7	10	12
Consumo gas - Gasconsumption	G30/ G31	kg/h	0,473/ 0,466	0,473/ 0,466	0,678/ 0,668	0,552/ 0,543	0,788/ 0,776	0,985/ 0,971
Bruciatore princ - Main burner	G30/31 30/30 mbar*		120K	120K	145K	135K	155K	175K
R.D.A.-X mm						10	8	7
BY PASS-Ø- 1/100mm			75	75	85	65	80	115
Bruc. pil. - Pilot burner (max 0,25 kW)	G30/G31 30/30 mbar*		21	21	21	19	19	19

NL

Modelli – Models		5,5 kW	7,0 kW	11,0 kW	7,0 kW**	10 kW	12 kW	
Tipo – Type A1								
Potenza nominale - Nominal thermal power	(kW)		5,5 (6 kW G30/31)	7 (6 kW G30/31)	11 (10,5 kW G25.3, G25 8,6 kW G31/31)	7	10	12 (13 kW G25.3)
Consumo gas - Gasconsumption	G20	m³/h	0,582	0,740	1,163	0,740	1,057	1,269
	G25.3	m³/h	0,661	0,842	1,262	0,842	1,202	
	G30/ G31	kg/h	0,433/ 0,427	0,552/ 0,543	0,678/ 0,668	0,552/ 0,543	0,788/ 0,776	0,985/ 0,971
Bruciatore princ - Main burner	G20 20 mbar*		165/250K	195L	245L	200K	235K	270L
R.D.A.-X mm						15	15	3
BY PASS-Ø-1/100mm			80	85	110	95	105	180
Bruc. pil. - Pilot burner (max 0,25 kW)	G20 20 mbar*		35	35	35	36	36	36
Bruciatore princ - Main burner	G25.3 25 mbar*		170/350L	195/350L	225/350L	205L	245K	255/350L
R.D.A.-X mm						15	15	3
BY PASS-Ø-1/100mm			80	85	110	95	115	180
Bruc. pil. - Pilot burner (max 0,25 kW)	G25.3 25 mbar*		35	35	35	36	36	36
Bruciatore princ - Main burner	G30/G31 30/30 mbar*		120K	120K	145K	135K	155K	175K
R.D.A.-X mm						10	8	7
BY PASS-Ø-1/100mm			75	75	85	65	80	115
Bruc. pil. - Pilot burner (max 0,25 kW)	G30/G31 30/30 mbar*		21	21	21	19	19	19

*Pressione gas alla rampa / Inlet gas pressure **7 kW: Bruciatore Forno / Oven burner

IL PRESENTE MANUALE È DI PROPRIETÀ DEL FABBRICANTE E OGNI RIPRODUZIONE ANCHE PARZIALE È VIETATA.

DATI TECNICI / IMMAGINI / TECHNICAL DATA / IMG

HU

Modelli – Models			5,5 kW	7,0 kW	11,0 kW	7,0 kW**	10 kW	12 kW
Tipo – Type A1								
Potenza nominale - Nominal thermal power	(kW)		5,5 (6 kW G30/31)	7 (6 kW G30/31)	11 (10,5 kW G25.1 8,6 kW G30/31)	7	10 (9,4 kW G25.1)	12/ (13 kW G20)
Consumo gas - Gasconsumption	G20	m ³ /h	0,582	0,740	1,163	0,740	1,057	1,375
	G25.1	m ³ /h	0,675	0,859	1,289	0,859	1,154	1,473
	G30/ G31	kg/h	0,433 /0,466	0,433 /0,466	0,678 /0,668	0,552 /0,543	0,788 /0,776	0,985 /0,971
Bruciatore princ - Main burner	G20 25 mbar*		145/250K	185L	235L	195K	220K	270L
R.D.A.-X mm	G20 25 mbar*					15	15	3
BY PASS-Ø-1/100mm	G20 25 mbar*		80	85	110	85	105	180
Bruc. pil. - Pilot burner (max 0,25 kW)	G20 25 mbar*		35	35	35	36	36	36
Bruciatore princ - Main burner	G25.1 25 mbar*		175/250K	200/350L	245/350L	210 /350L	250K	280L
R.D.A.-X mm	G25.1 25 mbar*					15	15	2,5
BY PASS-Ø-1/100mm	G25.1 25 mbar*		80	85	110	100	115	180
Bruc. pil. - Pilot burner (max 0,25 kW)	G25.1 25 mbar*		35	35	35	36	36	36
Bruciatore princ - Main burner	G30/G31 29/37 mbar*		120K	120K	145K	135K	155K	175K
R.D.A.-X mm	G30/G31 29/37 mbar*					10	8	7
BY PASS-Ø-1/100mm	G30/G31 29/37 mbar*		75	75	85	65	80	115
Bruc. pil. - Pilot burner (max 0,25 kW)	G30/G31 29/37 mbar*		21	21	21	19	19	19

ALL COUNTRIES

Modelli – Models			5,5 kW	7,0 kW	11,0 kW	7,0 kW**	10 kW	12 kW
Tipo – Type A1								
Potenza ridotta - Reduced thermal power	(kW)		1,4 (G20) / 2,7(G30/31)	1,4 (G20) / 3(G30/31)	2,1 (G20) / 3,2(G30/31)	1,55 (G20) / 1,65(G30/31)	2,5	3,1 (G25.1) / 4,8(G30/31)
Consumo gas - Gasconsumption	G20	m ³ /h	0,148	0,148	0,222	0,164	0,264	0,391
	G20 (25 mbar)	m ³ /h	0,148	0,169	0,222	0,164	0,264	0,434
	G25	m ³ /h	0,172	0,172	0,258	0,191	0,307	0,357
	G25.1	m ³ /h	0,172	0,172	0,258	0,190	0,307	0,381
	G25.3	m ³ /h	0,168	0,168	0,252	0,186	0,301	0,493
	G30/G31	kg/h	0,173/0,171	0,173/0,171	0,197/0,194	0,130/0,128	0,197/0,194	0,378/0,373
	G30/G31 (50 mbar)	kg/h	0,213/ 0,210	0,236/ 0,233	0,252/ 0,248	0,130/ 0,128	0,197/ 0,194	0,378/ 0,373

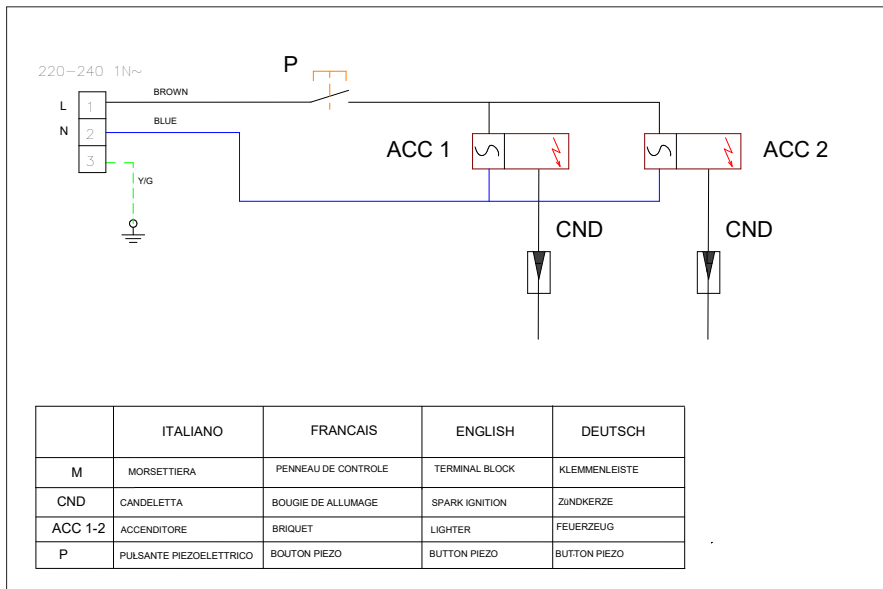
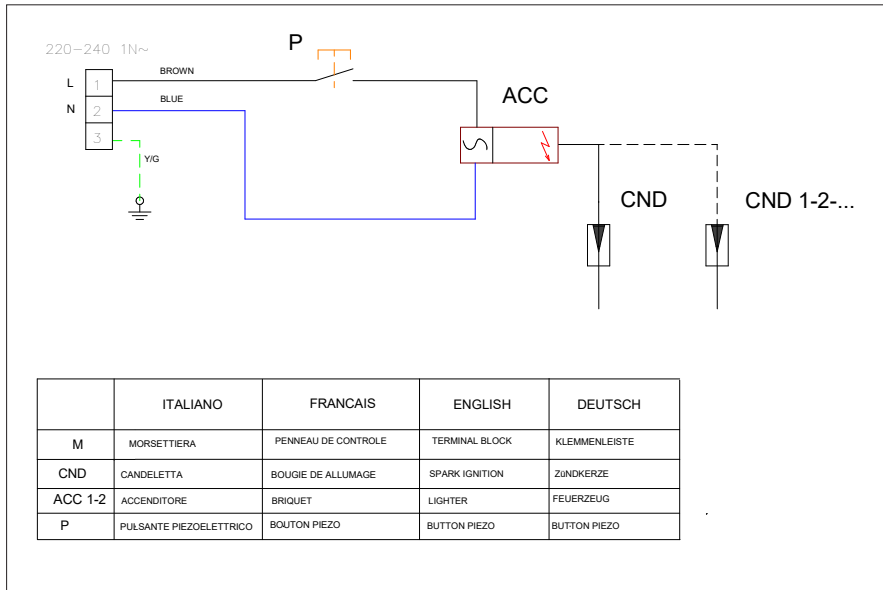
*Pressione gas alla rampa / Inlet gas pressure **7 kW: Bruciatore Forno / Oven burner

IL PRESENTE MANUALE È DI PROPRIETÀ DEL FABBRICANTE E OGNI RIPRODUZIONE ANCHE PARZIALE È VIETATA.

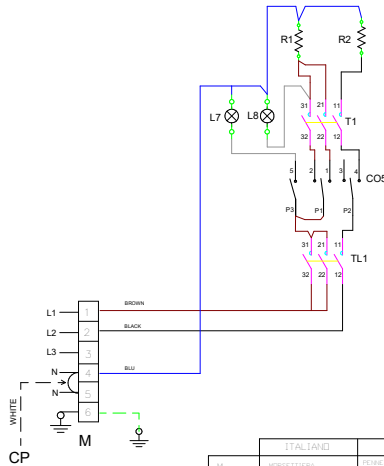
SCHEMA ELETTRICO - WIRING DIAGRAM

FB... AE

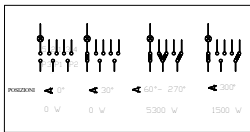
220/240 V ~ 1N 50-60 HZ (ELECTRONIC IGNITION)



FB...FE



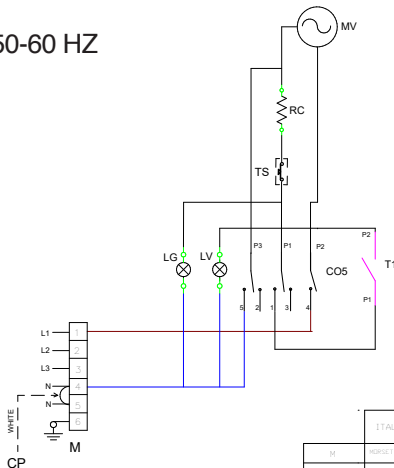
C05



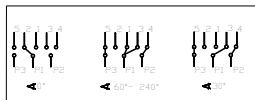
	ITALIANO	FRANCAIS	ENGLISH	DEUTSCH
M	INNESTICIONE	PERICHO DE CONTACTE	TERMINAL BLOCK	TERMINALBLÖCKE
CP	CABLO FONTE	CABLE POINT	BRIDGE CABLE	CABLE BRIDGE
C05	COMUTATORE	COMPOSITEUR	SWITCH	WIPPSCHALTER
R1	RESISTENZA GIOLA	RESISTANCE GRILL	RESISTANCE	WIDERSTAND
R2	RESISTENZA GRILL	RESISTANCE GRILL	GRILL RESISTANCE	WIDERSTAND GRILL
L7	LAMPADA VERDE	LAMPE VERTE	GREEN LAMP	GRÜNE LAMPE
L8	LAMPADA BRANCA	LAMPE BRANKE	BRANKE LAMP	GRANKE LAMPE
T1	TERMOSTATO DI LAVORO	THERMOSTAT DE TRAVAIL	WORKING THERMOSTAT	THERMOSTAT DER WERK
TL1	TERMOSTATO LIBRE	THERMOSTAT DE SECURITE	LIBRE THERMOSTAT	LIBRE THERMOSTAT

FB...FEV

220/240 V ~ 1N 50-60 HZ



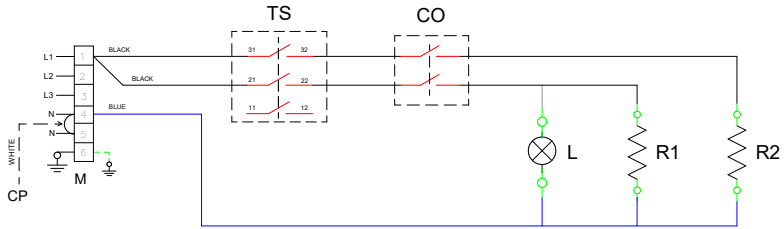
C05



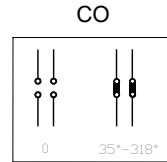
	ITALIANO	FRANCAIS	ENGLISH	DEUTSCH
M	INNESTICIONE	PERICHO DE CONTACTE	TERMINAL BLOCK	TERMINALBLÖCKE
CP	CABLO FONTE	CABLE POINT	BRIDGE CABLE	CABLE BRIDGE
L.V	LAMPADA VERDE	LAMPE VERTE	GREEN LAMP	GRÜNE LAMP
L.G	LAMPADA BRANCA	LAMPE BRANKE	BRANKE LAMP	LAMPE BRANKE
M.V	TERMO-VELOCITÀ	VELOC. CONTROLLEUR	FAN MOTOR	ELECTROMOTOR FAN
T1	TERMOSTATO DI LAVORO	THERMOSTAT DE TRAVAIL	WORKING THERMOSTAT	ARBEITEN THERMOSTAT
RC	RESISTENZA FONDO	RESISTANCE DE FOND	OVEN HEATING ELEMENT	WIDERSTANDSELEME
C05	COMUTATORE FONDO	COMPOSITEUR DE FOUR	OVEN SWITCH	SCHALTER FÜR BACKOFEN
TS	TERMOSTATO DI SICUREZZA	THERMOSTAT DE SECURITE	SAFETY THERMOSTAT	SICHERHEITSTHERMOSTAT

SCHEMA ELETTRICO - WIRING DIAGRAM

FB912FGMG...



	ITALIANO	FRANCAIS	ENGLISH	DEUTSCH
M	HERSETTIERA	PANNEAU DE CONTROLE	TERMINAL BLOCK	ALEMENLEISTE
CP	CAVIO PONTE	CABLE POINT	BRIDGE CABLE	TABLE BRIDGE
CO	COMUTATORE	COMMUTATEUR	SWITCH	HAUPTSCHALTER
R1-R2	RESISTENZA	RESISTANCE	HEATING ELEMENT	BEHEIZUNGSELEMENT
L	LAMPADA ARANCIONE	LAMPE ORANGE	ORANGE LAMP	ORANGE LAMPE
TS	TERMOSTATO DI SICUREZZA	THERMOSTAT DE SECURITE	SAFETY THERMOSTAT	SICHERHEITSTHERMOSTAT



LEGGENDA SIMBOLI / LEGEND



INGRESSO GAS / GAS INLET
(EN 10226-1) Ø M 1/2"



INGRESSO ACQUA /
WATER INLET Ø M 1/2"



ATTACCO EQUIPOTENZIALE /
EQUIPOTENTIAL



ALIMENTAZIONE ELETTRICA /
POWER SUPPLY

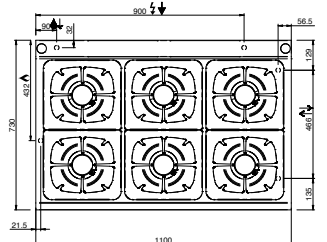
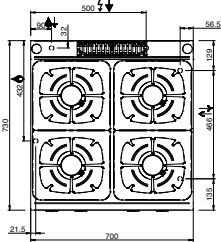
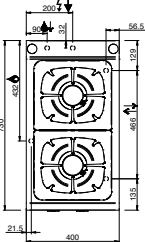
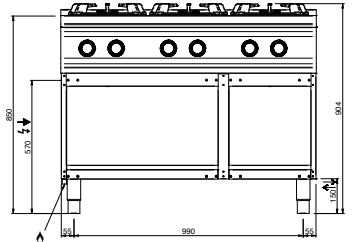
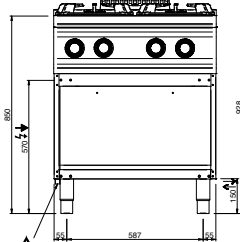
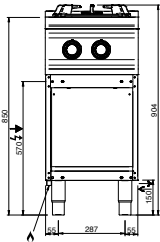
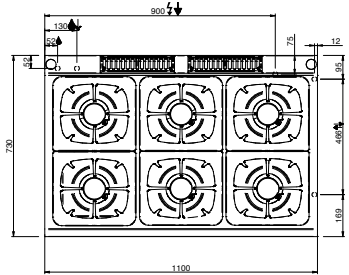
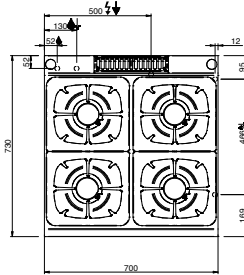
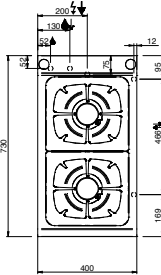
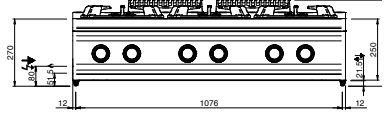
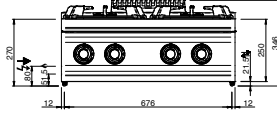
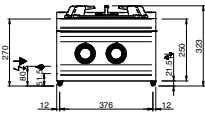


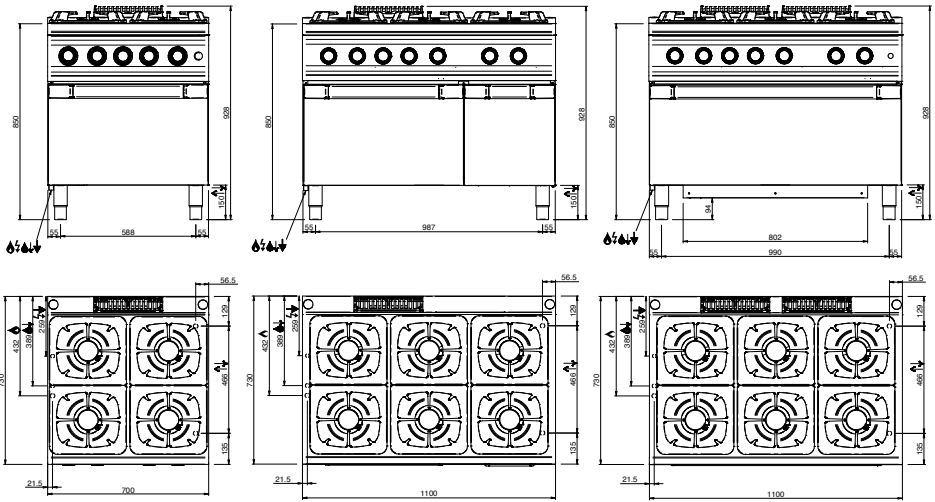
SCARICO ACQUA / OLII
WATER / OILS DRAIN



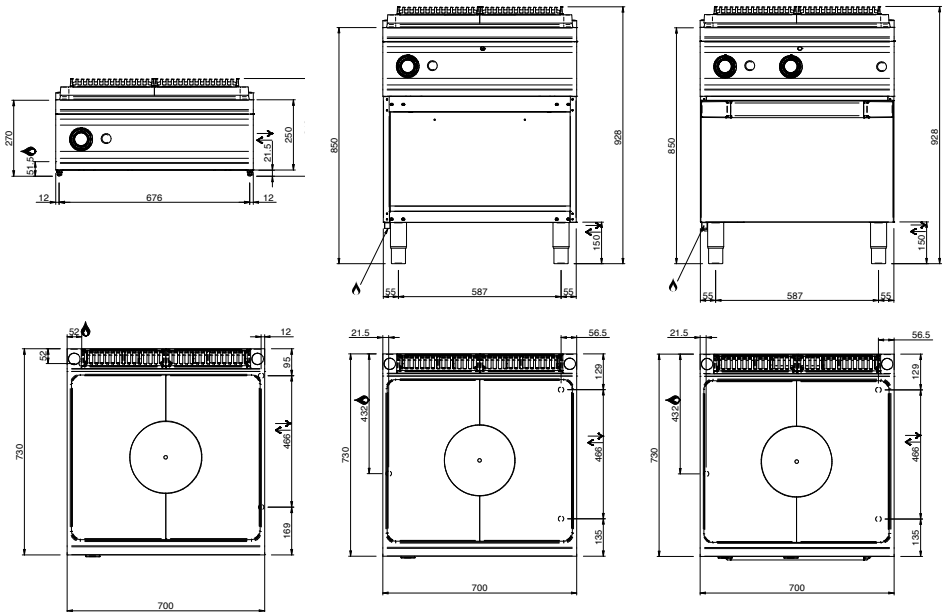
REGOLAZIONE PIEDINI /
FEET ADJUSTMENT (h 0/+50)
/ TOP VERSION (h 0/+5)

/ 700 FLEX BURNER ON TOP / ON CUPBOARD / ON OVEN





/ 700 SOLID TOP ON TOP / ON CUPBOARD / ON OVEN



LEGGENDA SIMBOLI / LEGEND



INGRESSO GAS / GAS INLET
(EN 10226-1) Ø M 1/2"



INGRESSO ACQUA /
WATER INLET Ø M 1/2"



ATTACCO EQUIPOTENZIALE /
EQUIPOTENTIAL



ALIMENTAZIONE ELETTRICA /
POWER SUPPLY

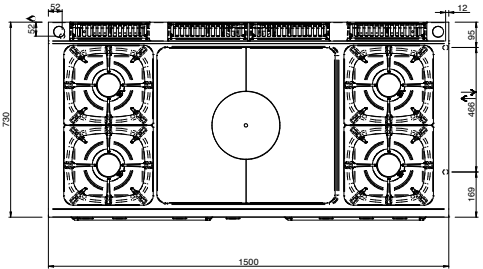
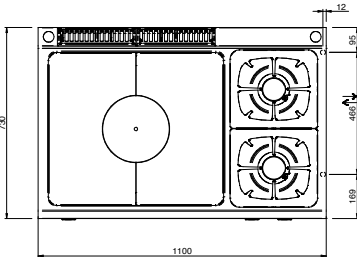
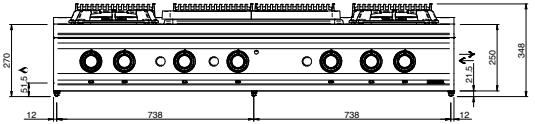
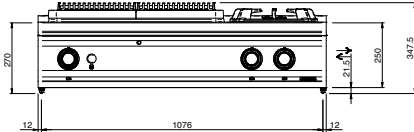


SCARICO ACQUA / OLII
WATER / OILS DRAIN

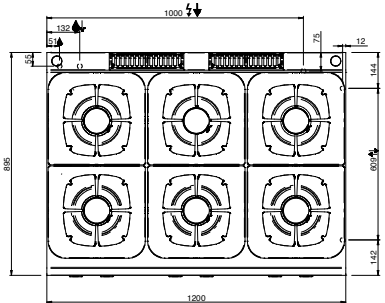
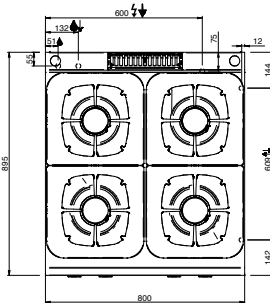
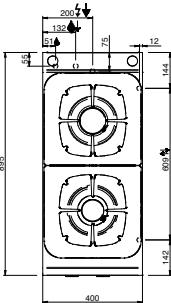
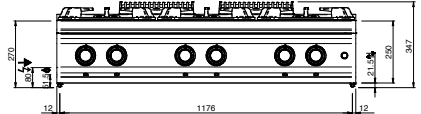
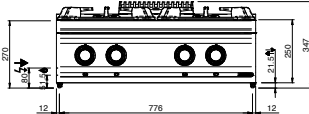
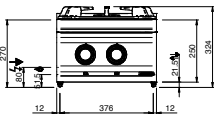


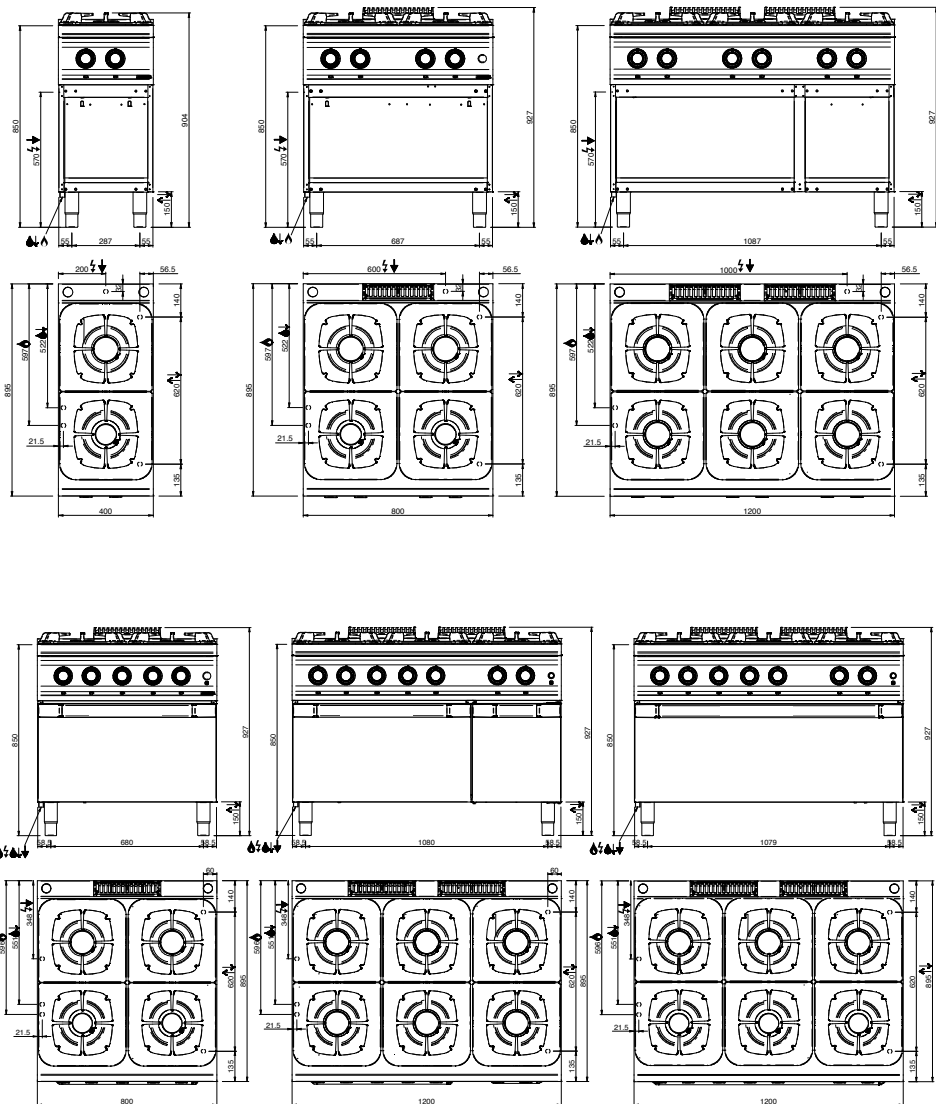
REGOLAZIONE PIEDINI /
FEET ADJUSTMENT (h 0/+50)
/ TOP VERSION (h 0/+5)

/ 700 SOLID TOP



/ 900 FLEX BURNER ON TOP / ON CUPBOARD / ON OVEN





LEGENDA SIMBOLI / LEGEND



INGRESSO GAS / GAS INLET
(EN 10226-1) Ø M 1/2"



INGRESSO ACQUA /
WATER INLET Ø M 1/2"



ATTACCO EQUIPOTENZIALE /
EQUIPOTENTIAL



ALIMENTAZIONE ELETTRICA /
POWER SUPPLY

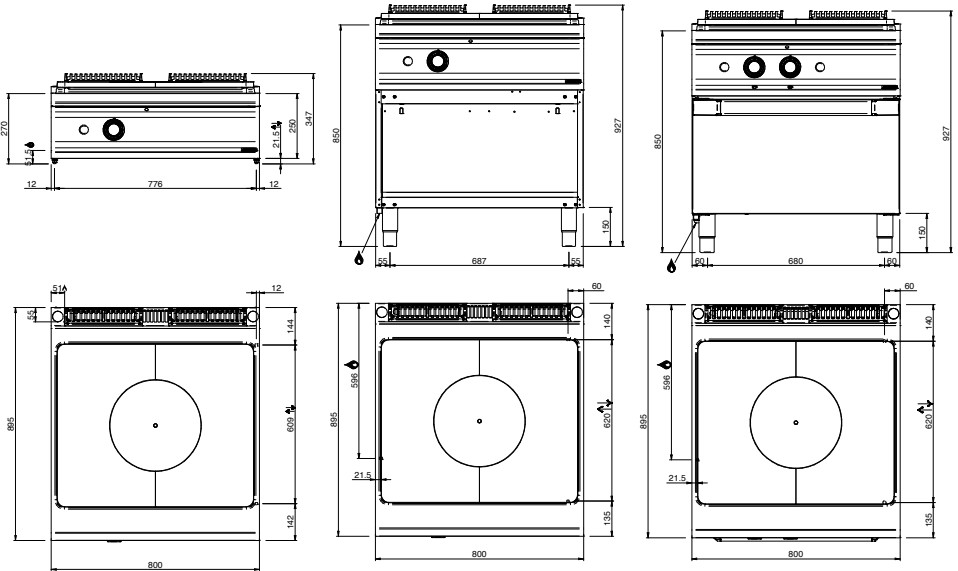


SCARICO ACQUA / OLII
WATER / OILS DRAIN



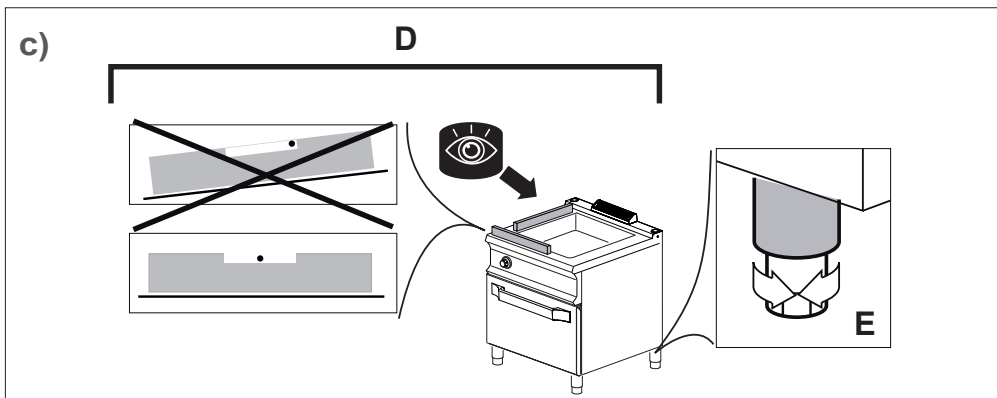
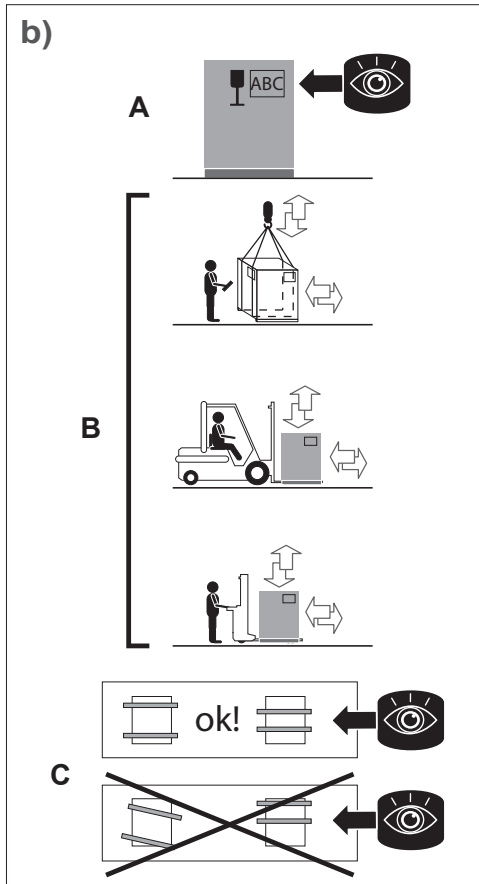
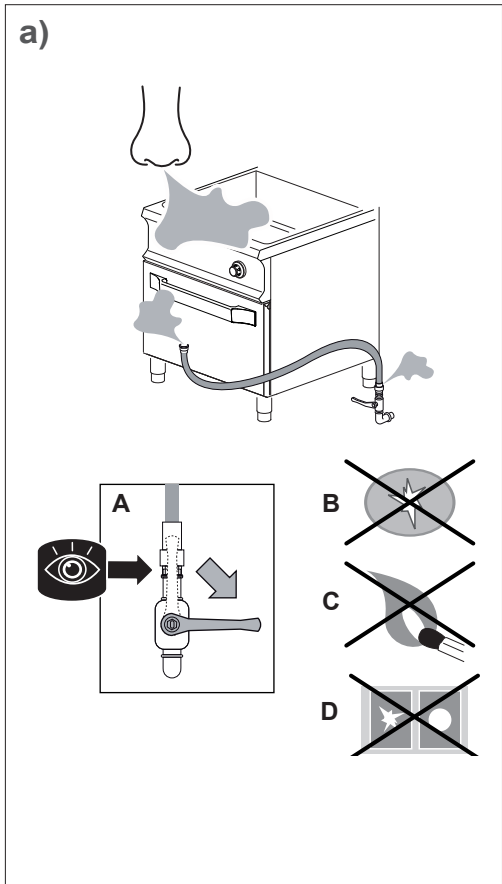
REGOLAZIONE PIEDINI /
FEET ADJUSTMENT (h 0/+50)
/ TOP VERSION (h 0/+5)

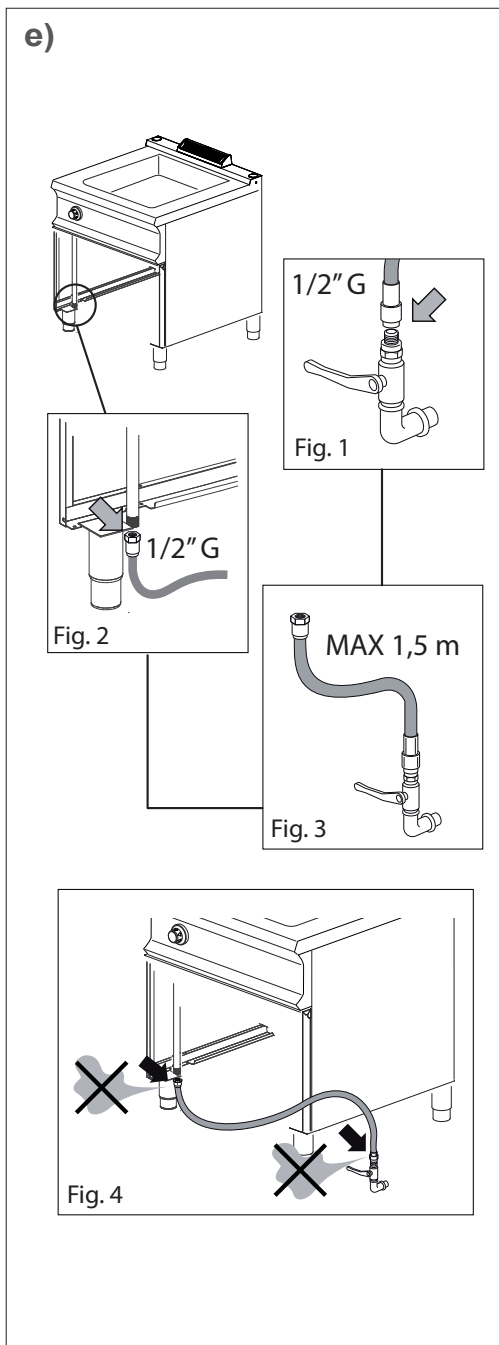
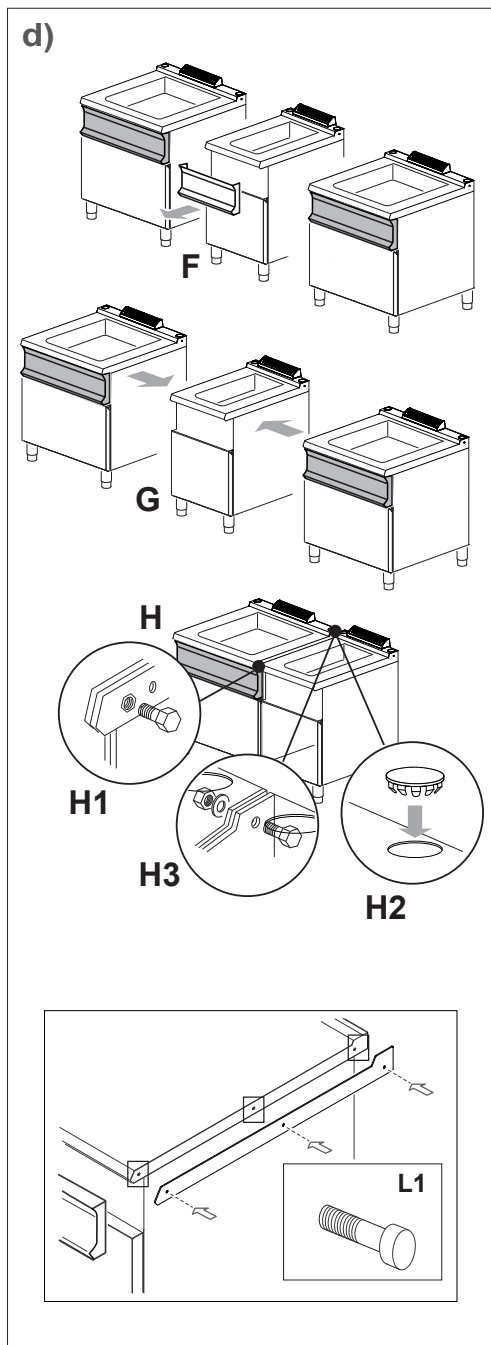
/ 900 SOLID TOP ON TOP / ON CUPBOARD / ON OVEN

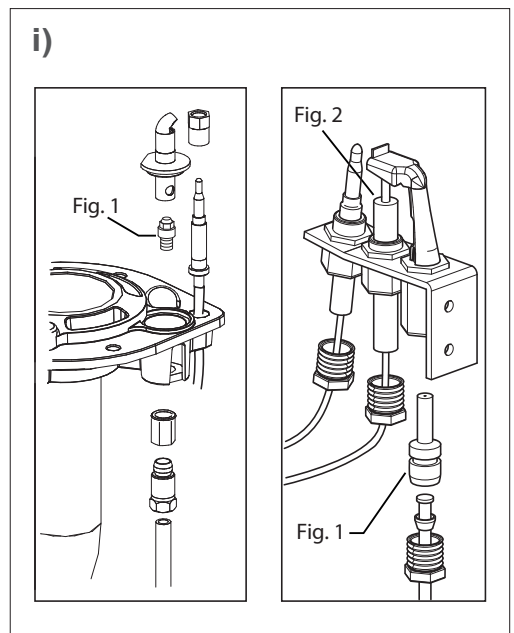
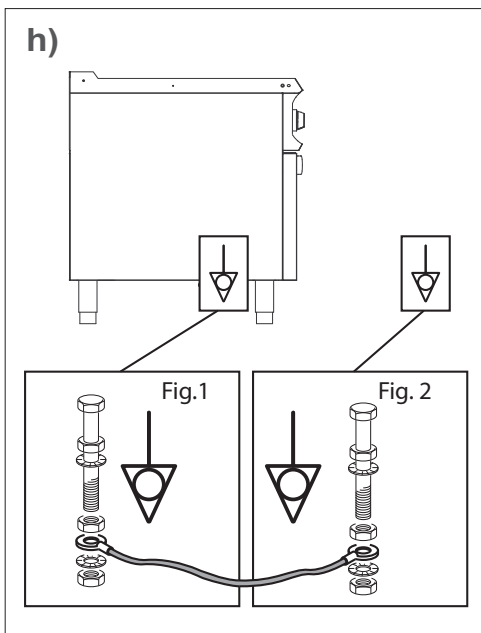
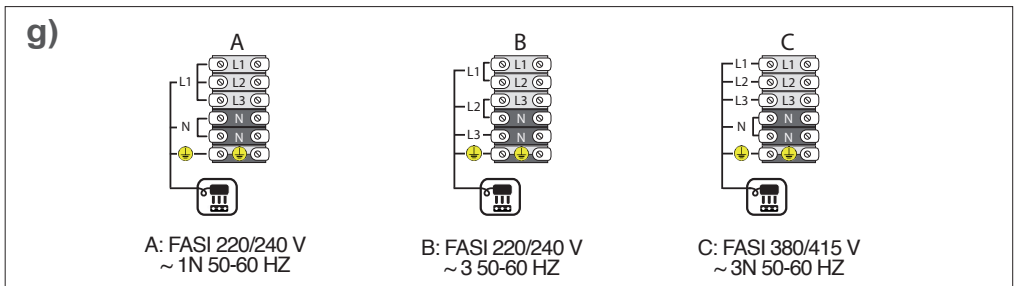
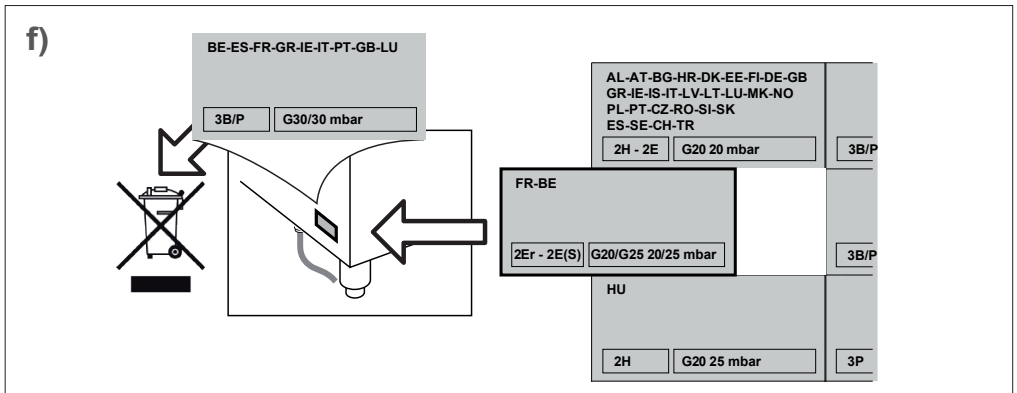


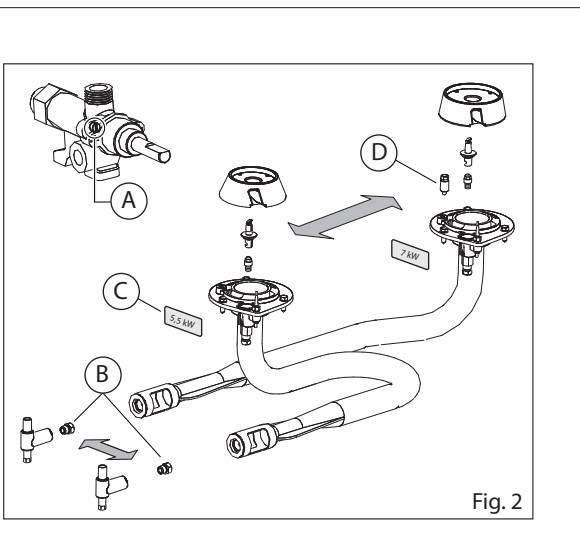
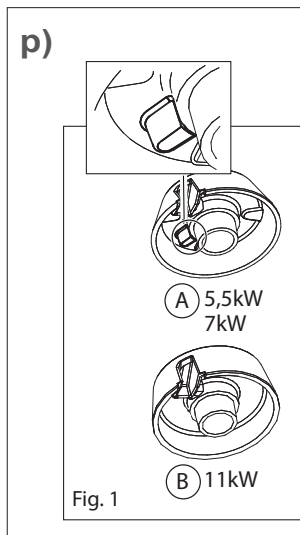
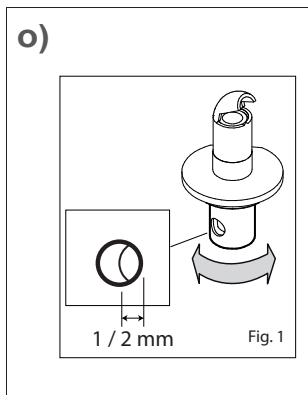
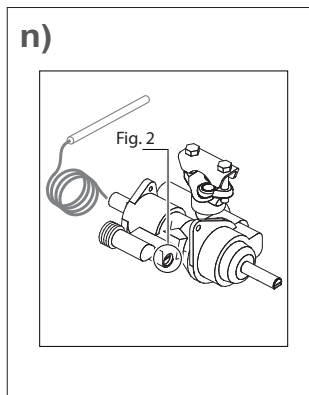
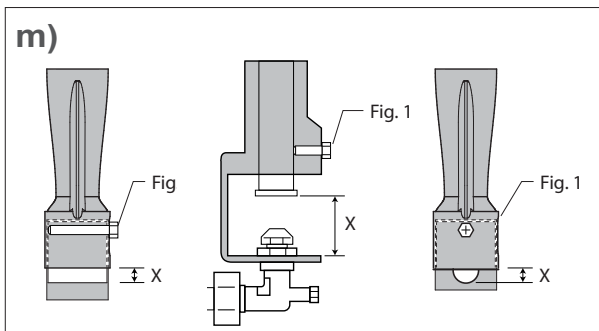
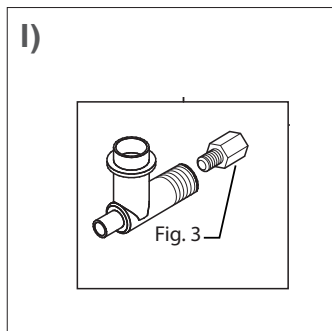


INSTALLAZIONE / INSTALLATION



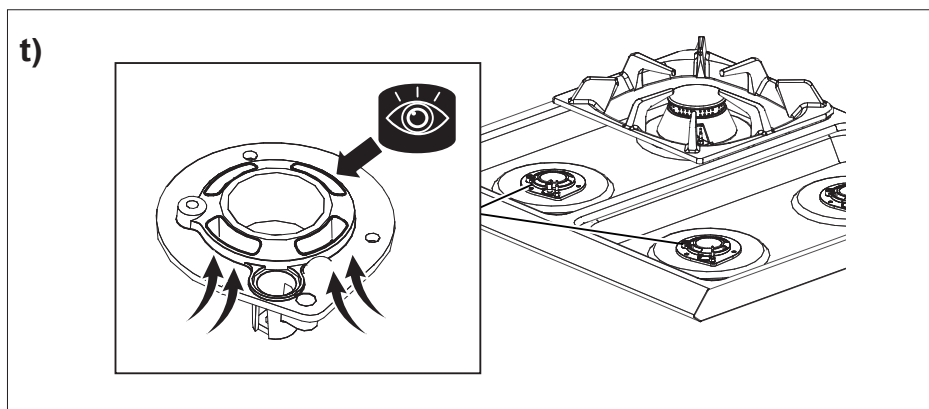
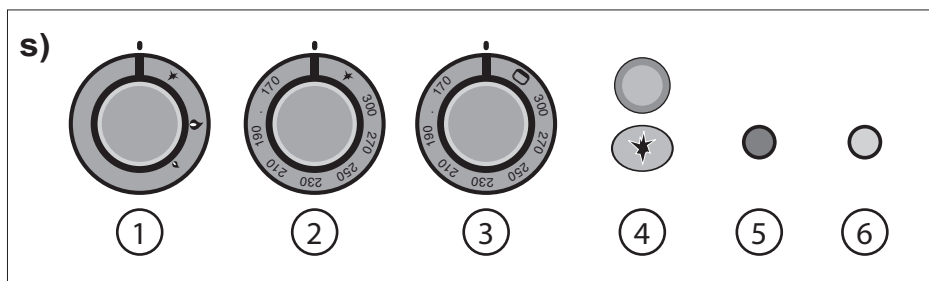
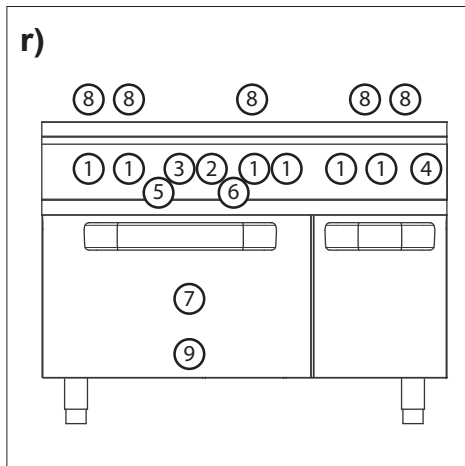
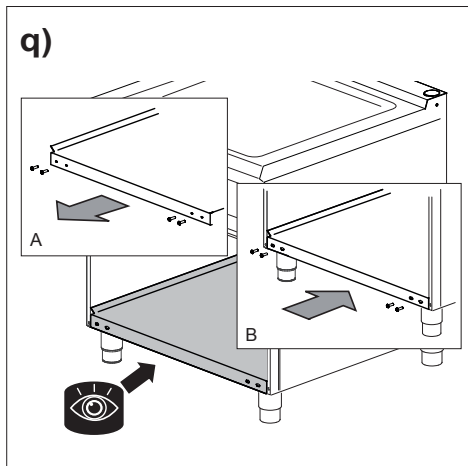




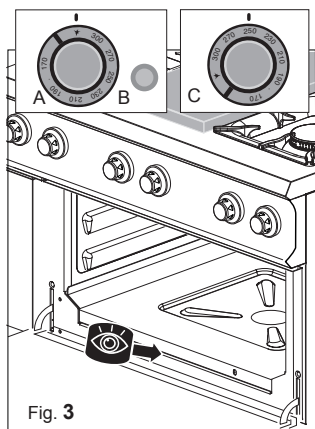
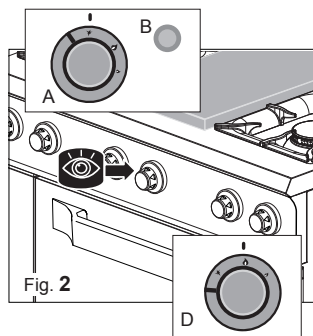
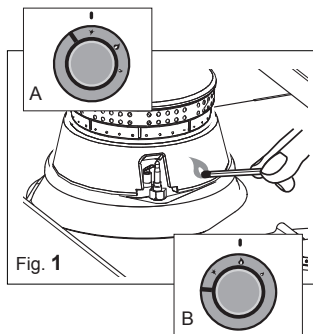




USO / USER



u)



v)

