

08/2018

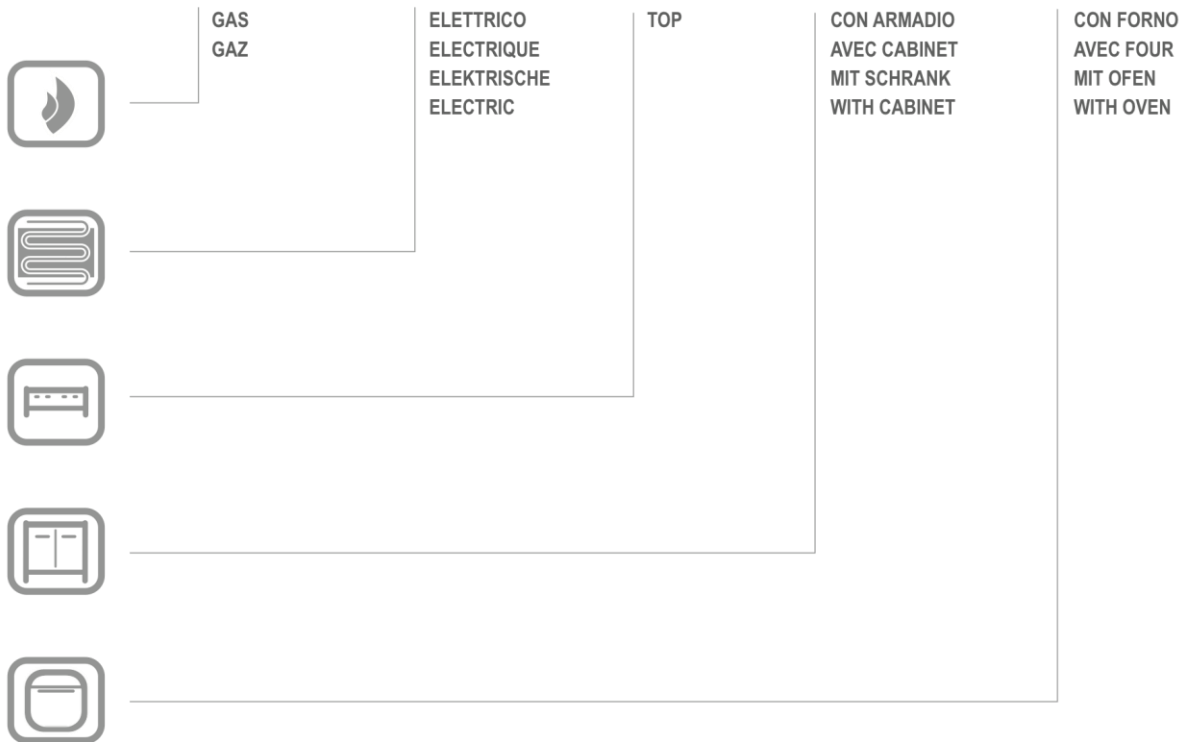
Mod: G7/6BFA11

Production code: BBG6FA77XL

BBG6FA77XL

G6FA77XL

CATALOGO PARTI DI RICAMBIO
 CATALOGUE PIECES DETACHEES
 ERSATZTEILKATALOG
 SPARE PARTS CATALOGUE



Catalogo parti di ricambio valido
dalla matricola 0000001 (01.10.2013) ad oggi (03.08.2018)

Catalogue pieces detachees
valable à partir du numero de Série n. 0000001 (01.10.2013) jusqu'à aujourd'hui (03.08.2018)

Ersatzteilkatalog
gültig ab Serien-Nr. 0000001 (01.10.2013) bis heute (03.08.2018)

Spare parts catalogue
valid from serial no. 0000001 (01.10.2013) up today (03.08.2018)

Catálogo de peças de reposição
válido do número de série 0000001 (01.10.2013) até hoje (03.08.2018)

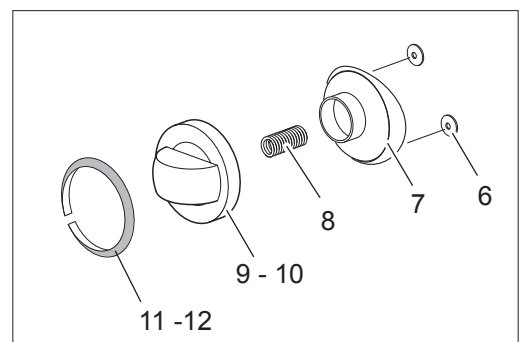
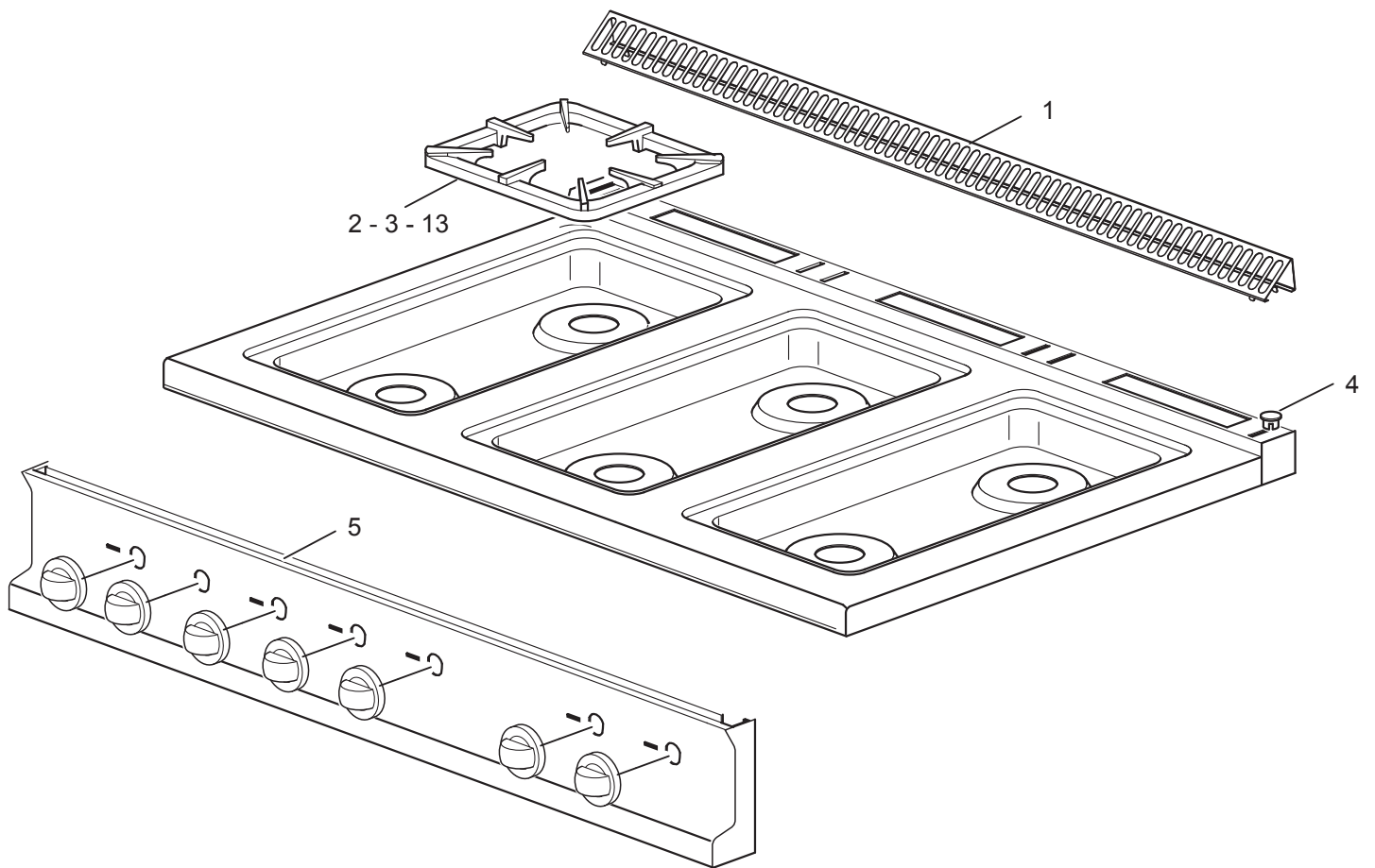
Le informazioni sono considerate non vincolanti. Le immagini rappresentate sono puramente indicative. Il produttore si riserva il diritto di apportare modifiche in qualsiasi momento senza preavviso.

Les informations données ne sont pas contraignantes. Les images montrées sont à titre indicatif. Le producteur se réserve le droit d'apporter des modifications sans préavis.

Die im vorliegenden Dokument aufgeführten Informationen und Bilder sind unverbindlich. Der Hersteller behält sich das Recht vor, jederzeit ohne vorherige Ankündigung Änderungen vorzunehmen

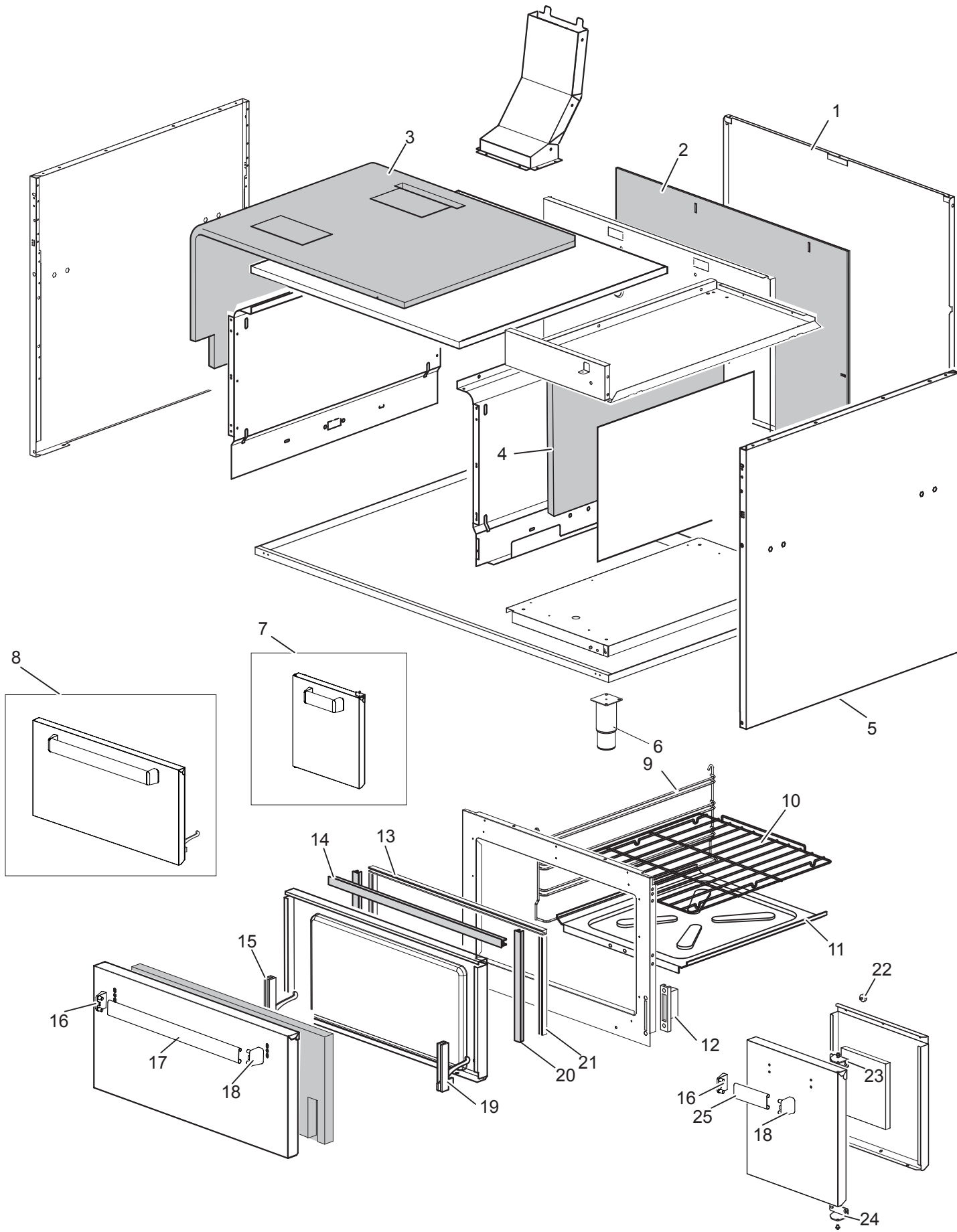
Info and drawing could be slightly different from reality and they cannot be considered as compelling. Manufacturer can modify info anytime without forewarning.

As Informações e desenhos podem estar um pouco diferente da realidade e são puramente indicativas. O fabricante pode modificar estas informações a qualquer momento sem aviso prévio.



Listino componenti per pagina 1

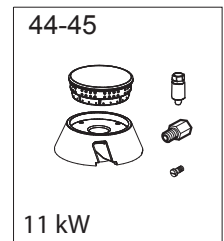
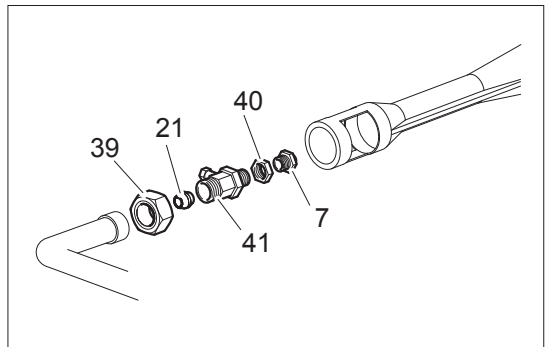
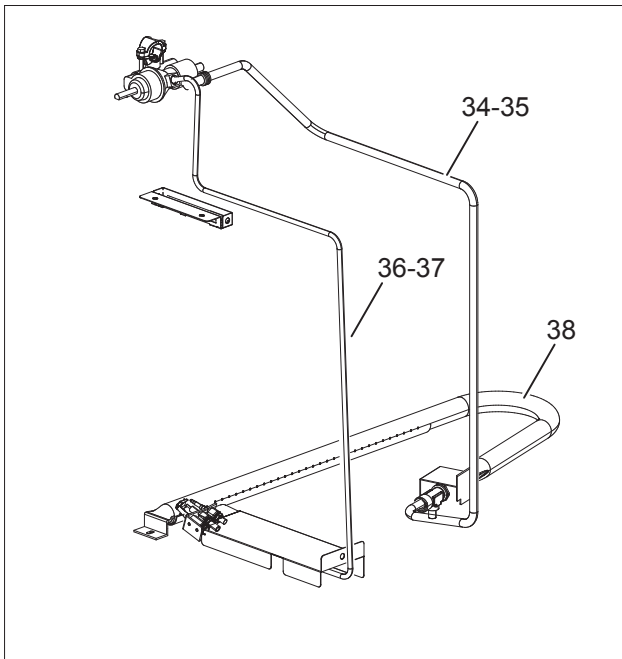
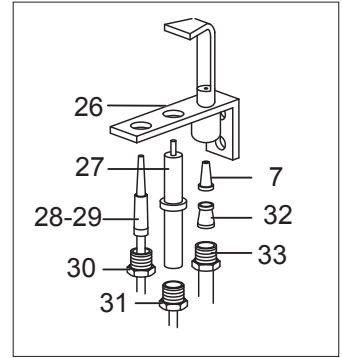
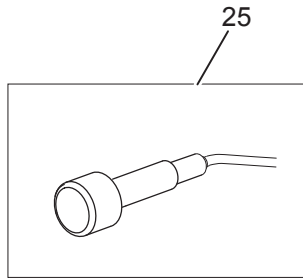
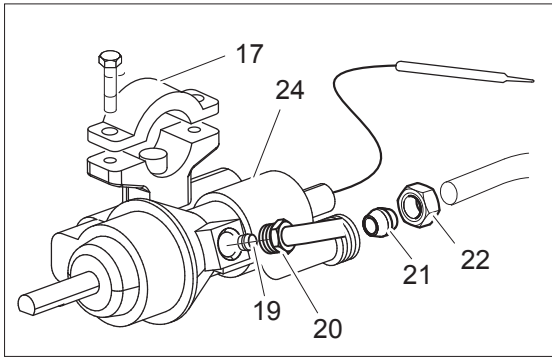
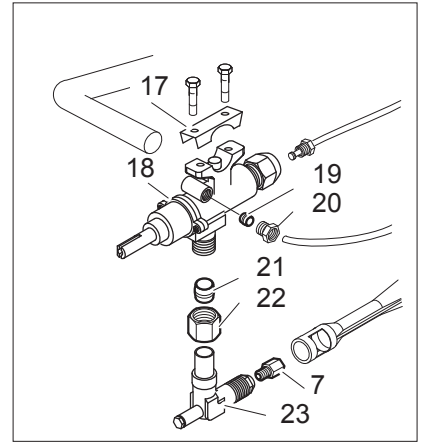
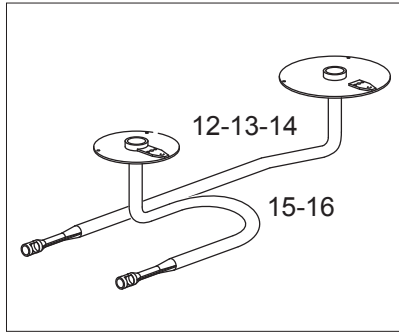
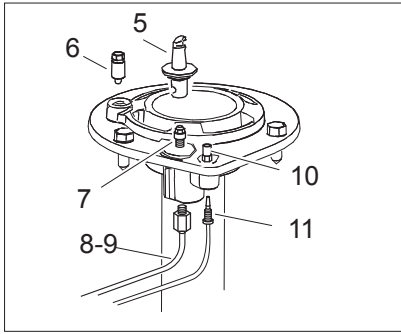
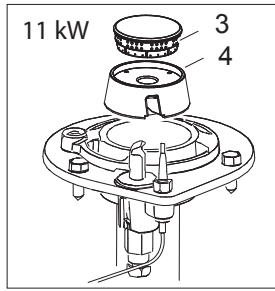
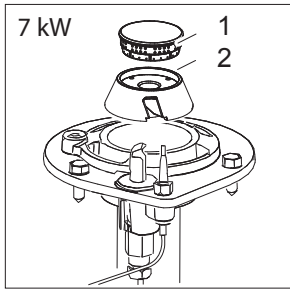
| | | | |
|----|---|---|--|
| 1 | 184981 | GRIGLIA CAMINO GRILLE POUR CHEMINÉE KAMINROST CHIMNEY GRILL | |
| 2 | 185746 | GRIGLIA PLACCA IN GHISA SINGOLA GRILLE EN FONTE 1 BRULEUR BRENNERROST GUSSEISEN 1 BRENNER SINGLE CAST IRON GRID | |
| 3 | 186468 | GRIGLIA PLACCA IN FILO DOPPIA GRILLE INOX POUR 2 BRULEURS BRENNERROST STAHL 2 BRENNER STAINLESS STEEL GRID FOR 2 BURNERS | |
| 5 | 188311 | CRUSCOTTO PANNEAU DE CONTROLE FRONT BLENDE CONTROL PANEL | |
| 9 | 186337 <i><u>Recommended spare parts</u></i> | CORPO MANOPOLA FUOCHI APERTI POIGNEE BRULEUR KNEBEL BRENNER BURNER KNOB | |
| 11 | 171520 <i><u>Recommended spare parts</u></i> | ANELLO MANOPOLA FUOCHI APERTI RING POIGNEE KLEBERING KNEBEL BRENNER KNOB RING | |
| 12 | 171511 <i><u>Recommended spare parts</u></i> | ANELLO MANOPOLA FORNO RING FOUR KLEBERING KNEBEL BACKOFEN THERMOSTAT OVEN RING | |
| 13 | RTC700274 | GRIGLIA PLACCA IN GHISA SINGOLA GRILLE EN FONTE 1 BRULEUR EINER GUSSEISEIN-BRENNERROST SINGLE CAST IRON GRID | |



Listino componenti per pagina 2

| | | | |
|----|---|--|--|
| 1 | 167414 | POSTERIORE ARRIERE RÜCKWAND BACK SIDE | |
| 2 | 167386 | PANNELLO ISOLANTE PANNEAU ISOLANT ISOLIERUNGSPANEL INSULATING PANEL | |
| 3 | 166251 | PANNELLO ISOLANTE PANNEAU ISOLANT ISOLIERUNGSPANEL INSULATING PANEL | |
| 4 | 166252 | PANNELLO ISOLANTE PANNEAU ISOLANT ISOLIERUNGSPANEL INSULATING PANEL | |
| 5 | 173523 | FIANCO TOLE LATERAL SEITENWAND LATERAL SIDE | |
| 6 | RTCU700277 | PIEDE PIED FUSS FOOT | |
| 7 | RIC0004742 | GRUPPO PORTA ARMADIO PORTE D'ARMOIRE COMPLETE KOMPLETTE SCHRANKTÜR CABINET DOOR COMPLETE | |
| 8 | RIC0004736 | GRUPPO PORTA FORNO PORTE DU FOUR COMPLET KOMPLETTE OFENTÜR OVEN DOOR COMPLETE | |
| 9 | 167223 | GRIGLIA LATERALE FORNO GRILLE LATERALE SEITENROST OVEN'S LATERAL GUIDES | |
| 10 | RTCU700341 | GRIGLIA FORNO GRILLE DU FOUR BACKOFEN ROST OVEN GRATE | |
| 11 | 167218 | PIANO FORNO FOND DU FOUR OFEN FLACHE OVEN PLATE | |
| 12 | RTCU900004 <i><u>Recommended spare parts</u></i> | P/RULLINO CERNIERA FORNO SUPPORT POUR CHARNIERE DU FOUR SCHARNIER ROLLENTRAGER SUPPORT FOR OVEN HINGE | |
| 13 | 184110 | PROFILO GUARNIZIONE SUPERIORE FORNO SUPPORT DE JOINT PROFIL DICHTUNG GASKET HOLDER | |
| 14 | 164738 <i><u>Recommended spare parts</u></i> | GUARNIZIONE SUPERIORE FORNO JOINT DICHTUNG GASKET | |
| 15 | RTCU900027 <i><u>Recommended spare parts</u></i> | CERNIERA SX PORTA FORNO CHARNIERE PORTE GAUCHE BACKOFEN LINKEN SCHARNIER LEFT HINGE DOOR | |

| | | | |
|----|--|---|--|
| 16 | 168206 | TERMINALE MANIGLIA TÉRMINAL POIGNÉE HANDGRIFFSVERSCHLUSS HANDLE TERMINAL | |
| 17 | 168346 | MANIGLIA MANETTE HANDGRIFF HANDLE | |
| 18 | 168206 | TERMINALE MANIGLIA TÉRMINAL POIGNÉE HANDGRIFFSVERSCHLUSS HANDLE TERMINAL | |
| 19 | RTC900026 <i><u>Recommended spare parts</u></i> | CERNIERA DX PORTA FORNO CHARNIERE PORTE DROITE BACKOFEN RECHTEN SCHARNIER RIGHT HINGE DOOR | |
| 20 | 163888 <i><u>Recommended spare parts</u></i> | GUARNIZIONE LATERALE FORNO JOINT LATERAL POUR PORTE FOUR DICHTUNG LATERAL GASKET FOR OVEN DOOR | |
| 21 | 184105 | PROFILO GUARNIZIONE LATERALE FORNO SUPPORT DE JOINT PROFIL DICHTUNG GASKET HOLDER | |
| 22 | 181529 | ATTACCO MAGNETICO AIMANT MAGNET DOOR MAGNET | |
| 23 | 176894 | CERNIERA SX CHARNIERE PORTE GAUCHE KOMPLETTER SCHARNIERBLOCK LEFT HINGE DOOR | |
| 24 | 176895 | CERNIERA DX CHARNIERE PORTE DROITE KOMPLETTER SCHARNIERBLOCK RIGHT HINGE DOOR | |
| 25 | 168204 | MANIGLIA MANETTE HANDGRIFF HANDLE | |



Listino componenti per pagina 3

| | | | |
|----|--|---|--|
| 1 | 185734 <i>Recommended spare parts</i> | SPARTIFIAMMA 7000 KCAL CHAPEAU DU BRULEUR 7000 KCAL FLAMMER BRENNER 7000 KCAL BURNER CAP 7000 KCAL | |
| 2 | 185726 <i>Recommended spare parts</i> | BRUCIATORE 7KW BRULEUR 7KW BRENNER 7KW BURNER 7KW | |
| 5 | 185732 <i>Recommended spare parts</i> | CORPO PILOTA VEILLEUSE PILOTBRENNER KOMPLETT PILOT BURNER | |
| 7 | INIETTORE | VEDI MANUALE UGELLI VOIR MANUEL GICLEURS PILOTBRENNER KOMPLETT SEE HANDBOOK NOZZLES | |
| 8 | 173386 | TUBO PILOTA BRUCIATORE ANTERIORE TUBE VEILLEUSE BRÛLEUR ANTÉRIEUR PILOTBRENNERROHR VORNE FRONT BURNER PILOT PIPE | |
| 9 | 173387 | TUBO PILOTA BRUCIATORE POSTERIORE TUBE VEILLEUSE BRÛLEUR POSTÉRIEUR PILOTBRENNERROHR HINTEN BACK BURNER PILOT PIPE | |
| 10 | RTCU700391 | DADO FISSAGGIO TERMOCOPPIA ECROU MUTTER NUT | |
| 11 | RTCU700374 <i>Recommended spare parts</i> | TERMOCOPPIA THERMOCOUPLE THERMOELEMENT THERMOCOUPLE | |
| 12 | 185740 | TUBO ALIMENTAZIONE POST.BRUC. TUBE DE DISTRIBUTION BRÛLEUR POST. HINTERES BRENNERVERSORGUNGSROHR BACK BURNER DISTRIBUTION PIPE | |
| 15 | 185738 | TUBO ALIMENTAZIONE ANT. BRUC. TUBE DE DISTRIBUTION BRÛLEUR ANT. VORDERES BRENNERVERSORGUNGSROHR FRONT BURNER DISTRIBUTION PIPE | |
| 17 | 167184 <i>Recommended spare parts</i> | BRIGLIA RUBINETTO VALVOLATO BRIDE SOUPAPE DE SECURITE SCHELLE FÜR GASHAN SAFETY VALVE BRIDLE | |
| 18 | 167997 <i>Recommended spare parts</i> | RUBINETTO VALVOLATO VANNE A GAZ AVEC SECURITE GASHAHN SAFETY VALVE | |
| 19 | RTCU900018 <i>Recommended spare parts</i> | BICONO D.6 BICONE D.6 QUETSCHRING D.6 BICONE D.6 | |
| 20 | RTCU900019 <i>Recommended spare parts</i> | CALOTTA D.6 ÇALOTTE D.6 ÜBERWURFMUTTER D.6 NUT D.6 | |
| 21 | RTCU900012 <i>Recommended spare parts</i> | BICONO D.10 BICONE D.10 QUETSCHRING D.10 BICONE D.10 | |

| | | | |
|----|---|--|--|
| 22 | RTCU700297 <i><u>Recommended spare parts</u></i> | CALOTTA D.10 CALOTTE D.10 ÜBERWURFMUTTER D.10 NUT D.10 | |
| 23 | 173320 | SUPPORTO INIETTORE SUPPORT INJECTEUR DÜSENTRÄGER INJECTOR SUPPORT | |
| 24 | RIC0004862 <i><u>Recommended spare parts</u></i> | TERMOSTATO GAS THERMOSTAT GAZ GAS THERMOSTAT GAS THERMOSTAT | |
| 25 | RIC0004096 <i><u>Recommended spare parts</u></i> | GRUPPO PIEZO + CAVO ACCENSIONE PIEZO IGNITION + CABLE D'ALLUMAGE KIT PIEZOZÜNDER + ZÜNDKABEL PIEZO IGNITION + LIGHTING CABLE | |
| 26 | RTCP800034 <i><u>Recommended spare parts</u></i> | CORPO PILOTA VEILLEUSE PILOTBRENNER 3 WAYS PILOT BURNER | |
| 27 | RTCP800033 <i><u>Recommended spare parts</u></i> | CANDELA ROTONDA BOUGIE RONDE ZÜNDKERZE RUND ROUND SPARK PLUG | |
| 28 | RTCU900061 <i><u>Recommended spare parts</u></i> | TERMOCOPPIA THERMOCOUPLE THERMOELEMENT THERMOCOUPLE | |
| 30 | RTCP800038 <i><u>Recommended spare parts</u></i> | RACCORDO TERMOCOPPIA JUNCTION T/C VEILLEUSE VERSCHRAUBUNG THERMOELEMENT T/COUPLE NUT | |
| 31 | RTCU900215 <i><u>Recommended spare parts</u></i> | RACCORDO CANDELA PILOTA JUNCTION BOUGIE VERSCHRAUBUNG ZÜNDKERZE SPARK NUT | |
| 32 | RTCU800183 <i><u>Recommended spare parts</u></i> | BICONO D.6 BICONE D.6 QUETSCHRING D.6 BICONE D.6 | |
| 33 | RTCU800182 <i><u>Recommended spare parts</u></i> | CALOTTA D.6 CALOTTE D.6 ÜBERWURFMUTTER D.6 NUT D.6 | |
| 34 | 173388 | TUBO ALIMENTAZIONE BRUCIATORE FORNO TUBE DE DISTRIBUTION BRÛLEUR DU FOUR OFEN BRENNERVERSORGUNGSROHR FEEDING PIPE FOR OVEN BURNER | |
| 36 | 173389 | TUBO PILOTA FORNO TUBE VEILLEUSE DU FOUR OFEN PILOTBRENNER OVEN PILOT PIPE | |
| 40 | 167224 <i><u>Recommended spare parts</u></i> | BRUCIATORE FORNO BRULEUR DU FOUR OFEN BRENNER OVEN BURNER | |
| 41 | 162697 | SUPPORTO INIETTORE SUPPORT INJECTEUR DÜSENTRÄGER INJECTOR SUPPORT | |

| | | | |
|----|--------|---|--|
| 42 | KFB70S | KIT BRUCIATORE 7KW SMALTATO COMPLETO KIT COMPLET BRULEUR EMAILLE KIT KOMPLETTEN EMALLIERTEN BRENNER COMPLETE ENAMELED BURNER KIT | |
|----|--------|---|--|