

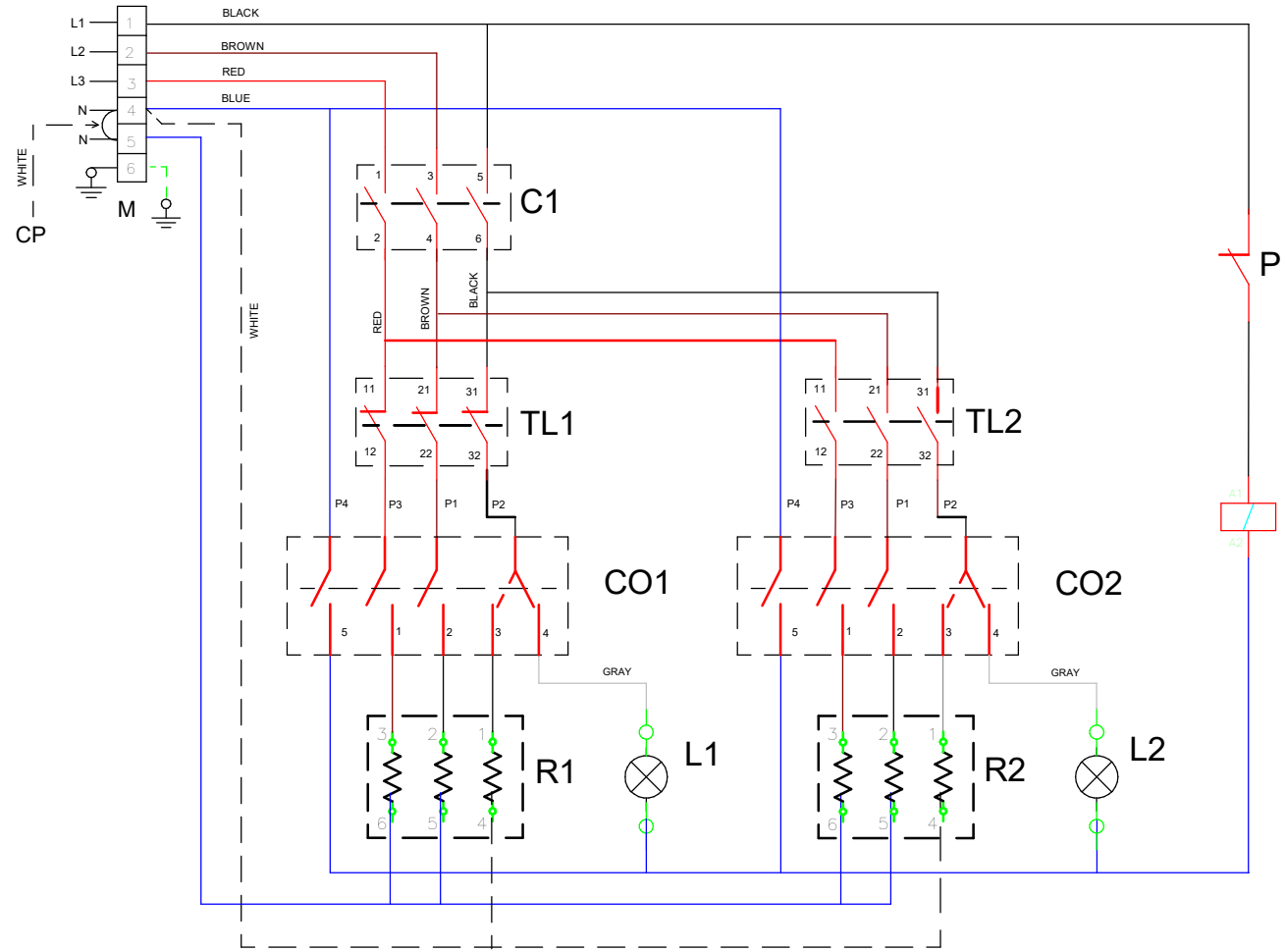


**MOD : E9/M15I8-N**

**Production code : DIPEE98A150I**

**10/2023**

380-415 3N ~



	ITALIANO	FRANCAIS	ENGLISH	DEUTSCH
P	PRESSOSTATO	CONTACT DE PRESSION	AIR SWITCH	KONTAKTDRUCK
M	MORSETTIERA	PENNEAU DE CONTROLE	TERMINAL BLOCK	KLEMMENLEISTE
CP	CAVO PONTE	CABLE PONT	BRIDGE CABLE	CABLE BRIDGE
C01-C02	COMMUTATORE	COMMUTEUR	SWITCH	HAUPTSCHALTER
TL1-TL2	TERMOSTATO LIMITE	LIMITE THERMOSTAT	LIMIT THERMOSTAT	THERMOSTAT
R1-R2	RESISTENZA	RESISTANCE	HEATING ELEMENT	ROHRHEIZKORPER
C1	CONTATTORE DI POTENZA	RELAJ	RELAIS	RELAIS
L1-L2	LAMPADA VERDE	LAMPE VERTE	GREEN LAMP	GRUENE LAMPE

### C01 - C02

