

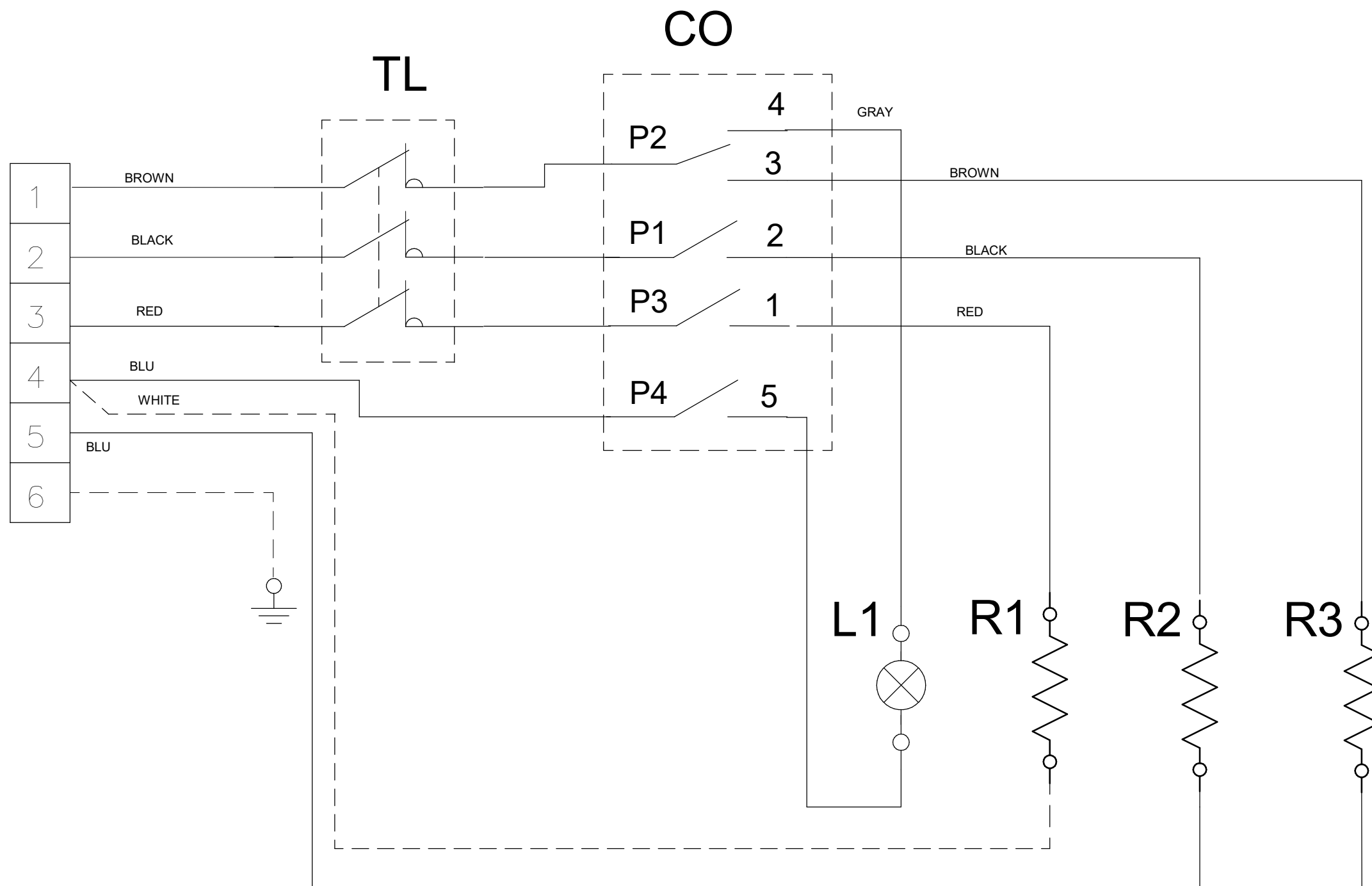
06/2018

Mod: E9/CPA8

Production code: BBEC9982V/SC



Diamond
catering equipment



	ITALIANO	FRANCAIS	ENGLISH	DEUTSCH
M	MORSETTIERA	PANNEAU DE CONTROLE	TERMINAL BLOCK	KLEMMENLEISTE
CO	COMMUTATORE	COMMUTEUR	SWITCH	HAUPTSCHALTER
R1-R3	RESISTENZA	RESISTANCE	HEATING ELEMENT	WIDERSTAND
L1	LAMPADA VERDE	LAMP VERT	GREEN LAMP	GRUENE LAMP
TL	TERMOSTATO LIMITE	THERMOSTAT DE SECURITE'	LIMIT THERMOSTAT	SICHERHEIT THERMOSTAT

