

08/2018

Mod: E7/F124T

Production code: BBEF477T



Diamond
catering equipment

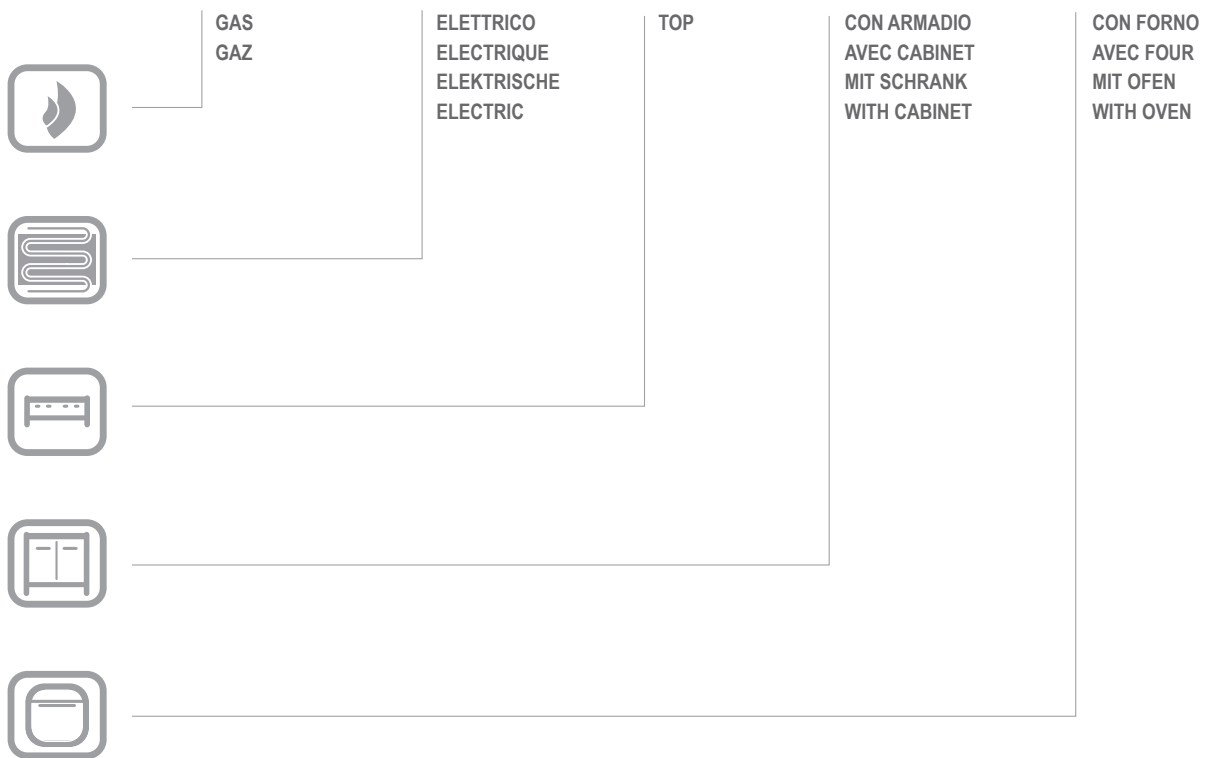


Diamond
catering equipment

BBEF477T

EF477T

CATALOGO PARTI DI RICAMBIO
CATALOGUE PIECES DETACHEES
ERSATZTEILKATALOG
SPARE PARTS CATALOGUE



Catalogo parti di ricambio valido
dalla matricola 0000001 (01.10.2013) ad oggi (03.08.2018)

Catalogue pieces detachees
valable à partir du numero de Série n. 0000001 (01.10.2013) jusqu'à aujourd'hui (03.08.2018)

Ersatzteilkatalog
gültig ab Serien-Nr. 0000001 (01.10.2013) bis heute (03.08.2018)

Spare parts catalogue
valid from serial no. 0000001 (01.10.2013) up today (03.08.2018)

Catálogo de peças de reposição
válido do número de série 0000001 (01.10.2013) até hoje (03.08.2018)

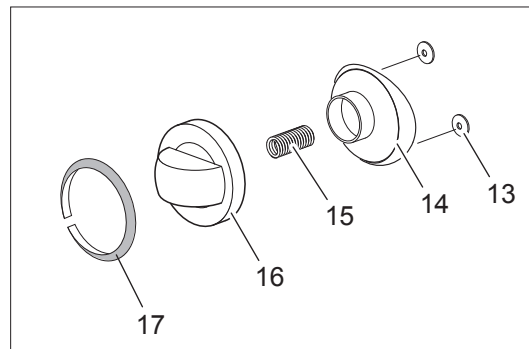
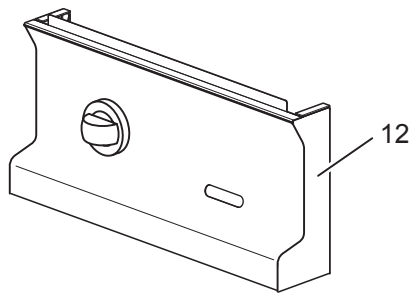
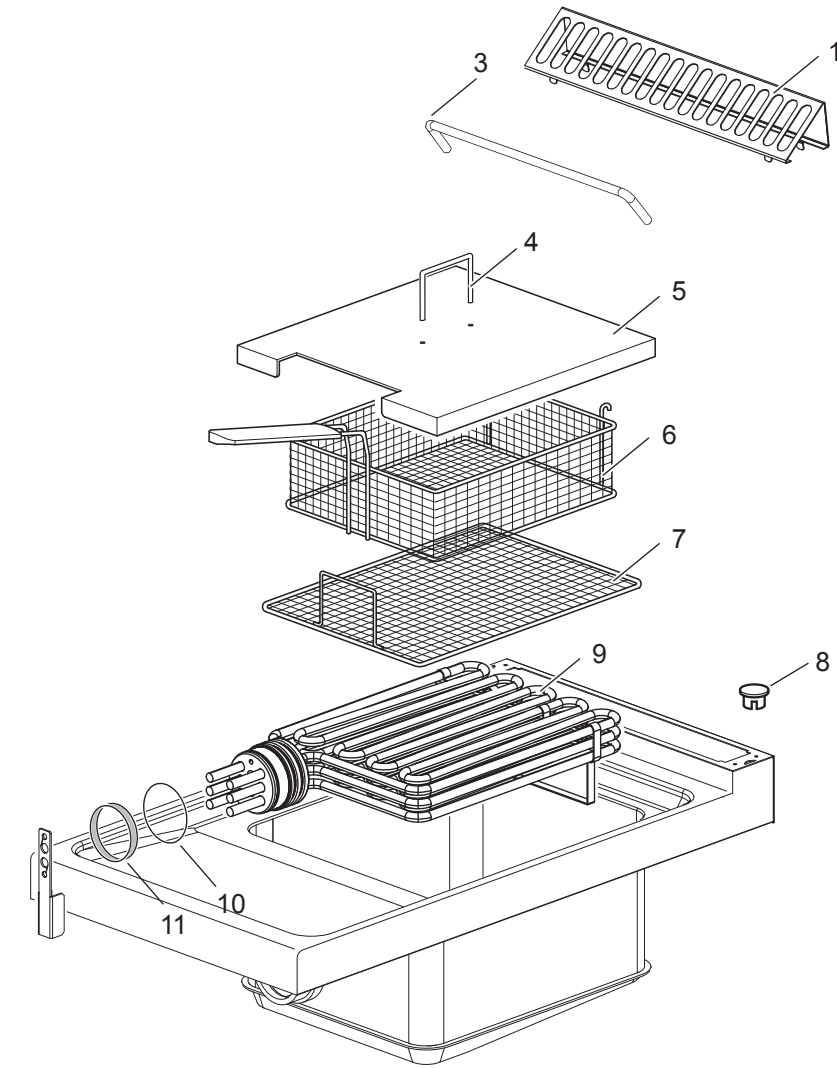
Le informazioni sono considerate non vincolanti. Le immagini rappresentate sono puramente indicative. Il produttore si riserva il diritto di apportare modifiche in qualsiasi momento senza preavviso.

Les informations données ne sont pas contraignantes. Les images montrées sont à titre indicatif. Le producteur se réserve le droit d'apporter des modifications sans préavis.

Die im vorliegenden Dokument aufgeführten Informationen und Bilder sind unverbindlich. Der Hersteller behält sich das Recht vor, jederzeit ohne vorherige Ankündigung Änderungen vorzunehmen

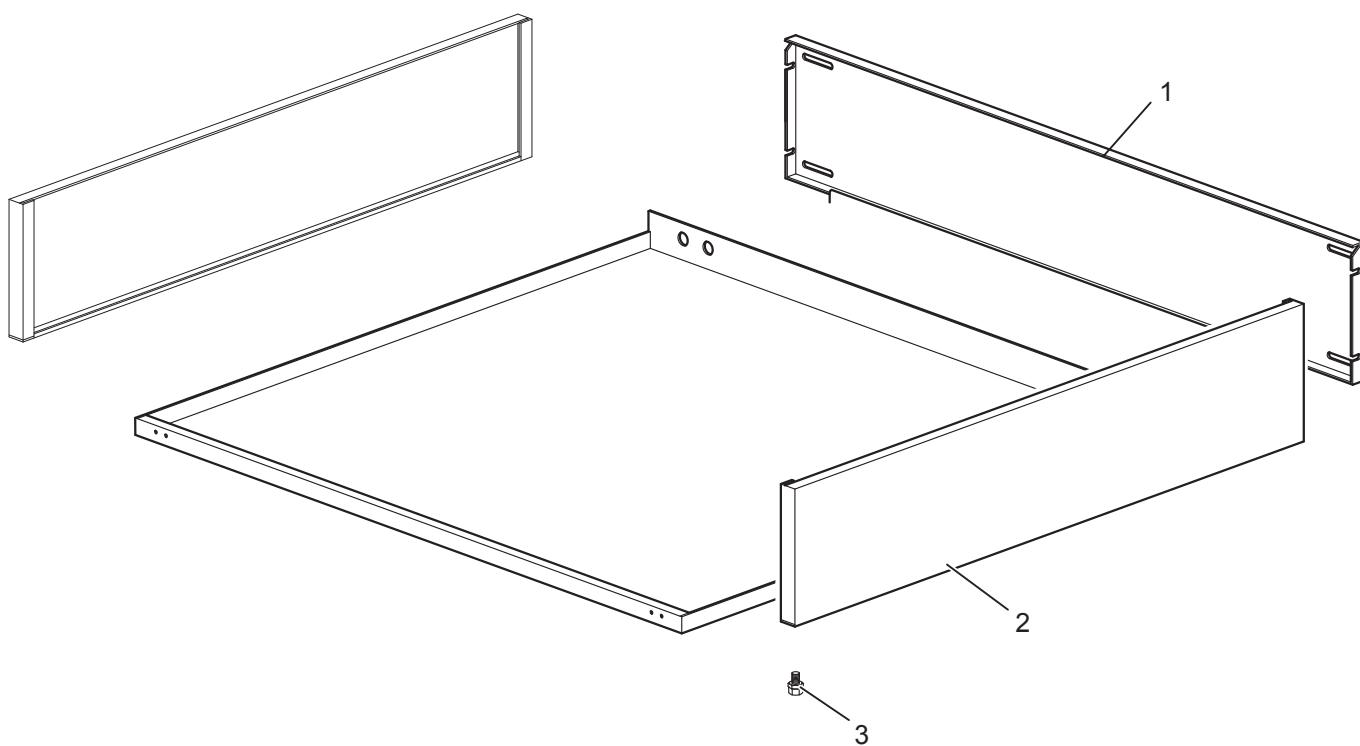
Info and drawing could be slightly different from reality and they cannot be considered as compelling. Manufacturer can modify info anytime without forewarning.

As Informações e desenhos podem estar um pouco diferente da realidade e são puramente indicativas. O fabricante pode modificar estas informações a qualquer momento sem aviso prévio.



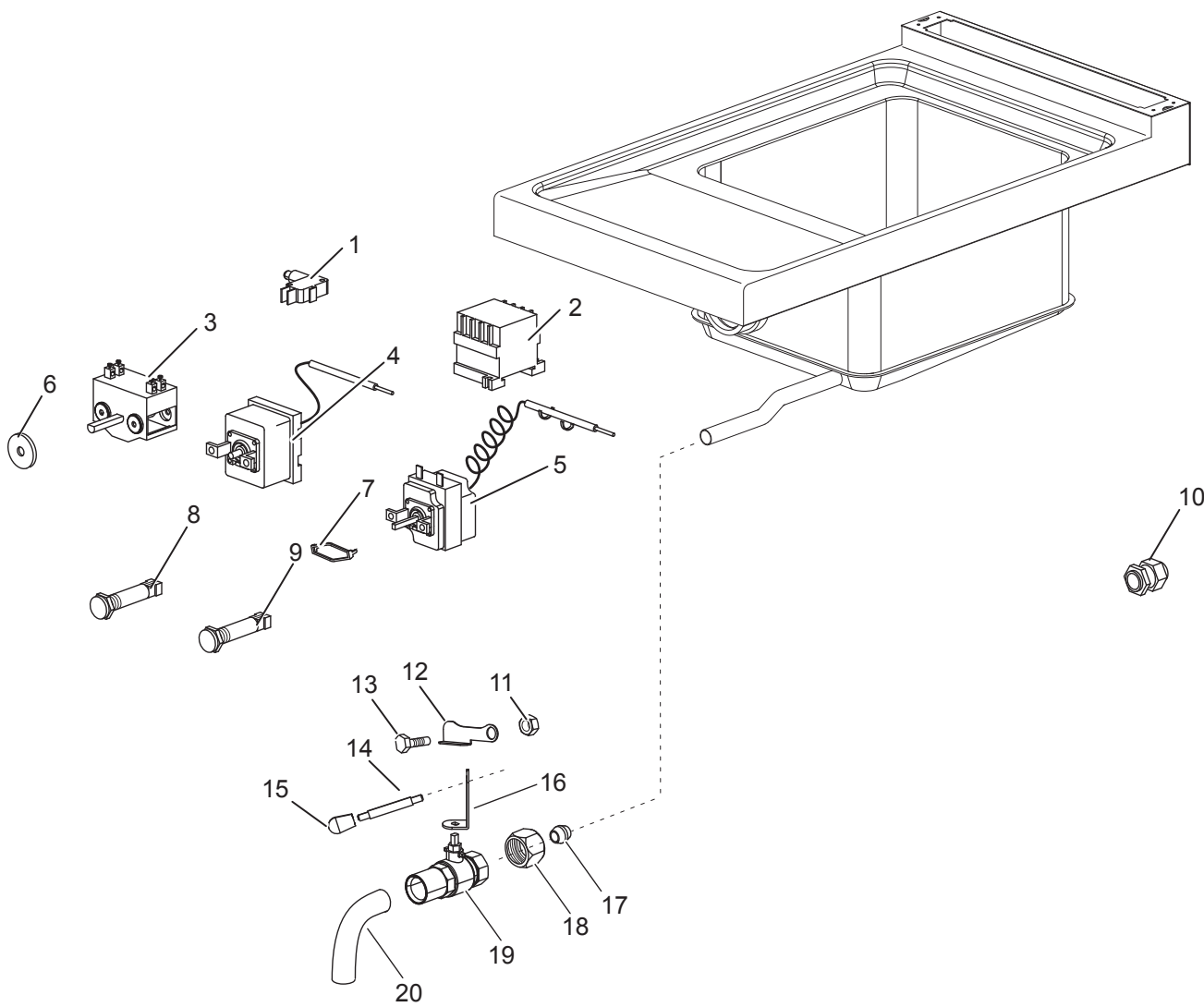
Listino componenti per pagina 1

1	182798	GRIGLIA CAMINO GRILLE POUR CHEMINÉE KAMINROST CHIMNEY GRILL	
3	182906	SQUADRETTA PLAQUE WINKEL PLATE	
4	RTBF800020	MANIGLIA MANETTE HANDGRIFF HANDLE	
5	166648	COPERCHIO VASCA COUVERCLE CUVE BECKEN-DECKEL TANK LID	
6	A770000150	A770046.CESTELLO X FRIGGITRICE A770046.PANIER X FRITEUSE A770046-OMN, 26x29,5x12cm KORB FUER FRITTEUSE A770046.BASKET FRYER	
7	RTCU700448	GRIGLIA SUPPORTO CESTELLO GRILLE SUPPORT PANIER ROST FUER KORBHALTER BASKET SUPPORT GRID	
8	163603	GIUNZIONE FISSAGGIO PIANO FIXATURE DE PLAN TOPVERBINDUNG TOP CONNECTION	
9	180950 <i><u>Recommended</u></i> <i><u>spare parts</u></i>	RESISTENZA 9KW RESISTANCE 9KW HEIZKÖRPER 9KW HEATING ELEMENT 9KW	
10	RTCU700565 <i><u>Recommended</u></i> <i><u>spare parts</u></i>	GUARNIZIONE RESISTENZA JOINT POUR RESISTANCE DICHTUNG GASKET FOR HEATING ELEMENT	
11	RTMIN00283	SEEGER SEEGER SEEGER SEEGER	
12	188391	CRUSCOTTO PANNEAU DE CONTROLE FRONT BLENDE CONTROL PANEL	
16	186336 <i><u>Recommended</u></i> <i><u>spare parts</u></i>	CORPO MANOPOLA COMMUTATORE POIGNEE COMMUTATEUR UMSCHALTER-KNOPFKOERPER COMMUTATOR KNOB	
17	169377 <i><u>Recommended</u></i> <i><u>spare parts</u></i>	ANELLO MANOPOLA TERMOSTATO RING THERMOSTAT KLEBERING KNEBEL THERMOSTAT THERMOSTAT RING	



Listino componenti per pagina 2

1	167082	POSTERIORE ARRIERE RÜCKWAND BACK SIDE	
2	180405	FIANCO TOLE LATERAL SEITENWAND LATERAL SIDE	
3	RTCU700324	PIEDE PIED FUSS FOOT	



Listino componenti per pagina 3

1	175286 <i>Recommended spare parts</i>	MICROINTERRUTTORE MICRO INTERRUPTEUR -UL- MICROSCHALTER -UL- MICRO SWITCH -UL-	
2	RTFOC00466 <i>Recommended spare parts</i>	RELE RELAIS SCHÜTZ RELAIS CONTACTOR	
3	RTCU900110 <i>Recommended spare parts</i>	COMMUTATORE TERMOSTATO COMMUTATEUR POUR THERMOSTAT TAKTSCHALTER THERMOSTAT COMMUTATOR	
4	182100 <i>Recommended spare parts</i>	TERMOSTATO DI SICUREZZA THERMOSTAT DE SECURITE SICHERHEITSTHERMOSTAT SAFETY THERMOSTAT	
5	180498 <i>Recommended spare parts</i>	TERMOSTATO DI LAVORO T.180°C THERMOSTAT DE TRAVAIL T.180°C ARBEITSTHERMOSTAT T.180°C WORKING THERMOSTAT T.180°C	
6	RTCU800185 <i>Recommended spare parts</i>	GUARNIZIONE ASTA COMMUTATORE JOINT POUR BARRE DU COMMUTATEUR DICHTUNG WELLE TAKTSCHALTER GASKET FOR COMMUTATOR ROD	
7	RTCU900112 <i>Recommended spare parts</i>	STAFFA ALTA COMMUTATORE/TERMOSTATO CROCHET POUR COMMUTATEUR/THERMOSTAT HOEHER HALTEBUEGEL UMSCHALTER/THERMOSTAT HIGH BRACKET COMMUTATOR/THERMOSTAT	
8	166465 <i>Recommended spare parts</i>	LAMPADINA SPIA VERDE LAMPE TEMOIN VERTE GRUNE KONTROLLEUCHTE GREEN WARNING LIGHT	
9	166466 <i>Recommended spare parts</i>	LAMPADINA SPIA ARANCIONE LAMPE DE SIGNALATION ORANGE ORANGE KONTROLLEUCHTE ORANGE LAMP LIGHT	
10	RTBF700021	F/CAVO PG16 SERRE CABLE PG16 KABELDURCHFÜHRUNG PG16 CHOCK PG16	
11	RTMIN00155	DADO M5 ECROU M5 NUSS M5 NUT M5	
12	167303	FERMO ASTA RUBINETTO SCARICO BLOCAGE PIVOT VIDANGE BEFESTIGUNG FUER ABLASSHAHN-STAB DRAIN SHAFT LOCK	
13	172792	PERNO RUBINETTO SCARICO PIVOT BOLZEN PIN	
14	RTCU700412	ASTA RUBINETTO SCARICO PIVOT ROBINET VIDANGE ABLASSHAHN-STAB DRAIN TAP SHAFT	
15	RTCU700413	MANOPOLA ASTA SCARICO POIGNEE POUR PIVOT VIDANGE ABLASSSTAB-KNOPF DRAIN SHEFT KNOB	

16	172795	SQUADRETTA PLAQUE WINKEL PLATE	
18	184842 <i><u>Recommended spare parts</u></i>	RACCORDO 3/4" D.18 RACCORD 3/4" D.18 ANSCHLUSS 3/4" D.18 CONNECTOR 3/4" D.18	
19	161874 <i><u>Recommended spare parts</u></i>	RUBINETTO SCARICO OLIO ROBINET DECHARGE HUILE ABLASSHAHN OIL DRAIN TAP	
20	163882	TUBO SCARICO OLIO TUYAU DECHARGE HUILE OIL-ABLASSROHR DRAIN OIL PIPE	