

04/2005

# **Mod: E65/SF4T**

**Production code: 65/40 SPE**



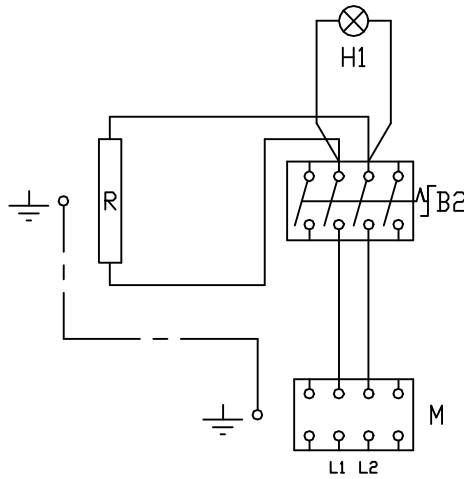
**Diamond**  
catering equipment

SCALDAPATATE  
 FRENCH-FRIEDHOT CANTAINER  
 ELEMENT CHAUFFANT-FRITES  
 POMMES FRITES WANNE

E65/SF4T

CODICE  
 251.027.00

DATA 14-01-1999



- M -MORSETTIERA ARRIVO LINEA \_ JUNCTION BOX POWER INLET \_\_\_\_\_ ( PA 44 ) COD: 663.018.00  
 BORNES ARRIVEE LIGNE \_ANSCHLUSSBRETT
- B2 -INTERRUTTORE \_ CUTT-OFF SWITCH \_\_\_\_\_ ( EGD 49.41015.30 ) COD: 661.000.00  
 INTERRUPTEUR \_ EIN-AUS SCHALTER
- H1 -LAMPADA SPIA VERDE \_ GREEN PILOT LIGHT \_\_\_\_\_ COD: 663.000.00  
 LAMPE TEMDIN VERT \_ GRUNE KONTROLLAMPE
- R -RESISTENZA \_ HEATING ELEMENT \_\_\_\_\_ ( 1 kW - 240 V ) COD: 665.010.00  
 RESISTANCE \_ HEIZKÖRPER

SUSSTITUISCE PAKI NUMERU DEL 12-02-1998

POTENZA TOTALE - TOTAL POWER  
 PUISSANCE TOTAL - ANSCHLUSSWERT

1kW

230V~

4,35A

50/60HZ