

06/2017

# Mod: E65/PR4T

Production code: 65/40 FTRE



**Diamond**  
catering equipment

S.VENDEMIANO (TV)

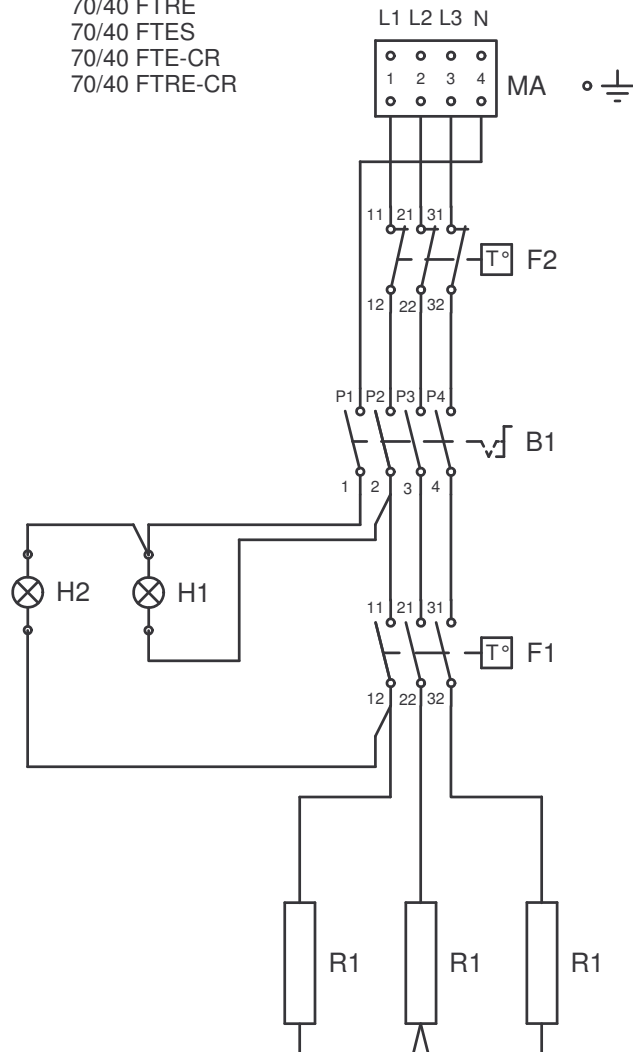
FRY TOP ELETTRICO  
 PLAQUES A GRILLADE ELECTRIQUES  
 BRATPLATTEN ELEKTRO  
 GRIDDLES ELECTRIC

CODICE  
 251.062.00

DATA 12-01-2000

MOD. 65/40 FTE  
 65/40 FTRE  
 65/40 FTES  
 FTE/40A  
 FTRE/40A  
 FTES/40A

MOD. 70/40 FTE  
 70/40 FTRE  
 70/40 FTES  
 70/40 FTE-CR  
 70/40 FTRE-CR



- B1- INTERRUPTORE \_ CUTT-OFF SWITCH \_\_\_\_\_ (EGO 49.41015.300) COD: 661.000.00  
 INTERRUPTEUR \_ EIN-AUS SCHALTER
- F1- TERMOSTATO \_ THERMOSTAT \_\_\_\_\_ (EGO 55.34062.803) COD: 661.007.00
- F2- TERMOSTATO DI SICUREZZA \_ SAFETY THERMOSTAT \_\_\_\_\_ (EGO 55.32562.802) COD: 661.045.00  
 THERMOSTAT DE SECURITE \_ TEMPERATURBEGRENZER
- H1- LAMPADA SPIA VERDE \_ GREEN PILOT LIGHT \_\_\_\_\_ COD: 663.000.00  
 LAMPE TEMOIN VERT \_ GRUNE KONTROLLAMPE
- H2- LAMPADA SPIA ARANCIO \_ ORANG PILOT LIGHT \_\_\_\_\_ COD: 663.001.00  
 LAMPE TEMOIN ORANGE \_ GELBE KONTROLLAMPE
- MA- MORSETTIERA ARRIVO LINEA \_ JUNCTION BOX POWER INLET \_\_\_\_\_ (PA 44 16A 380V) COD: 663.018.00  
 BORNES ARRIVEE LIGNE \_ ANSCHLUSSBRETT
- R1- RESISTENZA \_ HEATING ELEMENT \_\_\_\_\_ (1,5KW 230V) COD: 665.002.00  
 RESISTANCE \_ HEIZKORPER

POTENZA TOTALE - TOTAL POWER 4,5kW 400V+3N~ 6,5A 50/60Hz  
 PUISSANCE TOTAL - ANSCHLUSSWERT

SOSTITUISCE PARI NUMERO DEL 01-03-1999