

06/2017

Mod: E65/PL4T

Production code: 65/40 FTE



Diamond
catering equipment

S.VENDEMIANO (TV)

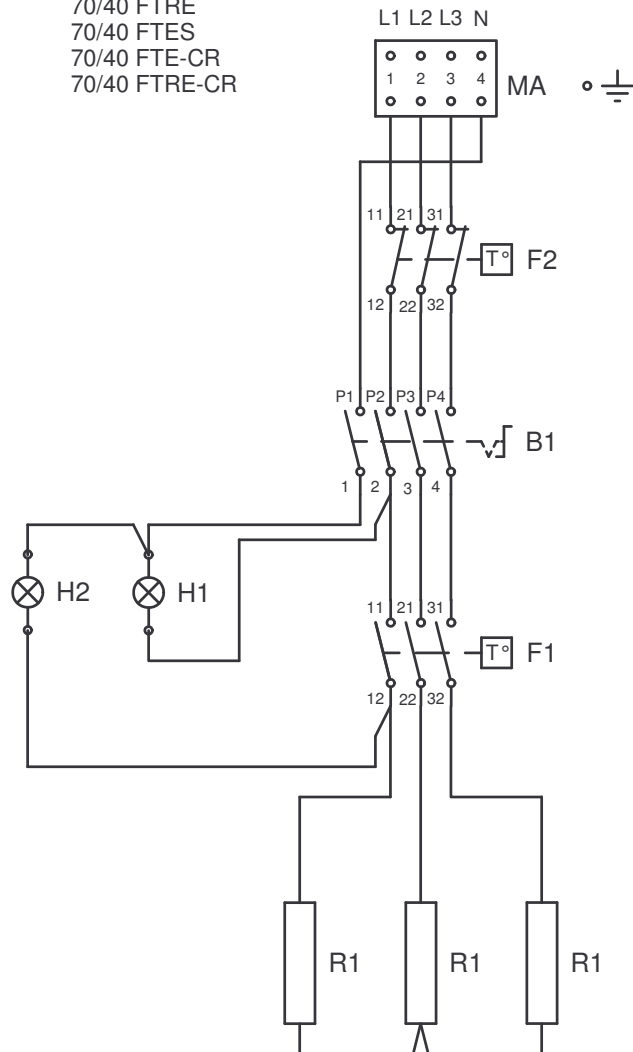
FRY TOP ELETTRICO
 PLAQUES A GRILLADE ELECTRIQUES
 BRATPLATTEN ELEKTRO
 GRIDDLES ELECTRIC

CODICE
 251.062.00

DATA 12-01-2000

MOD. 65/40 FTE
 65/40 FTRE
 65/40 FTES
 FTE/40A
 FTRE/40A
 FTES/40A

MOD. 70/40 FTE
 70/40 FTRE
 70/40 FTES
 70/40 FTE-CR
 70/40 FTRE-CR



- B1- INTERRUTTORE _ CUTT-OFF SWITCH _____ (EGO 49.41015.300) COD: 661.000.00
 INTERRUPTEUR _ EIN-AUS SCHALTER
- F1- TERMOSTATO _ THERMOSTAT _____ (EGO 55.34062.803) COD: 661.007.00
- F2- TERMOSTATO DI SICUREZZA _ SAFETY THERMOSTAT _____ (EGO 55.32562.802) COD: 661.045.00
 THERMOSTAT DE SECURITE _ TEMPERATURBEGRENZER
- H1- LAMPADA SPIA VERDE _ GREEN PILOT LIGHT _____ COD: 663.000.00
 LAMPE TEMOIN VERT _ GRUNE KONTROLLAMPE
- H2- LAMPADA SPIA ARANCIO _ ORANG PILOT LIGHT _____ COD: 663.001.00
 LAMPE TEMOIN ORANGE _ GELBE KONTROLLAMPE
- MA- MORSETTIERA ARRIVO LINEA _ JUNCTION BOX POWER INLET _____ (PA 44 16A 380V) COD: 663.018.00
 BORNES ARRIVEE LIGNE _ ANSCHLUSSBRETT
- R1- RESISTENZA _ HEATING ELEMENT _____ (1,5KW 230V) COD: 665.002.00
 RESISTANCE _ HEIZKORPER

POTENZA TOTALE - TOTAL POWER 4,5kW 400V+3N~ 6,5A 50/60Hz
 PUISSANCE TOTAL - ANSCHLUSSWERT

SOSTITUISCE PARI NUMERO DEL 01-03-1999