

01/2018

Mod: DPA/BM12

Production code: 8046421



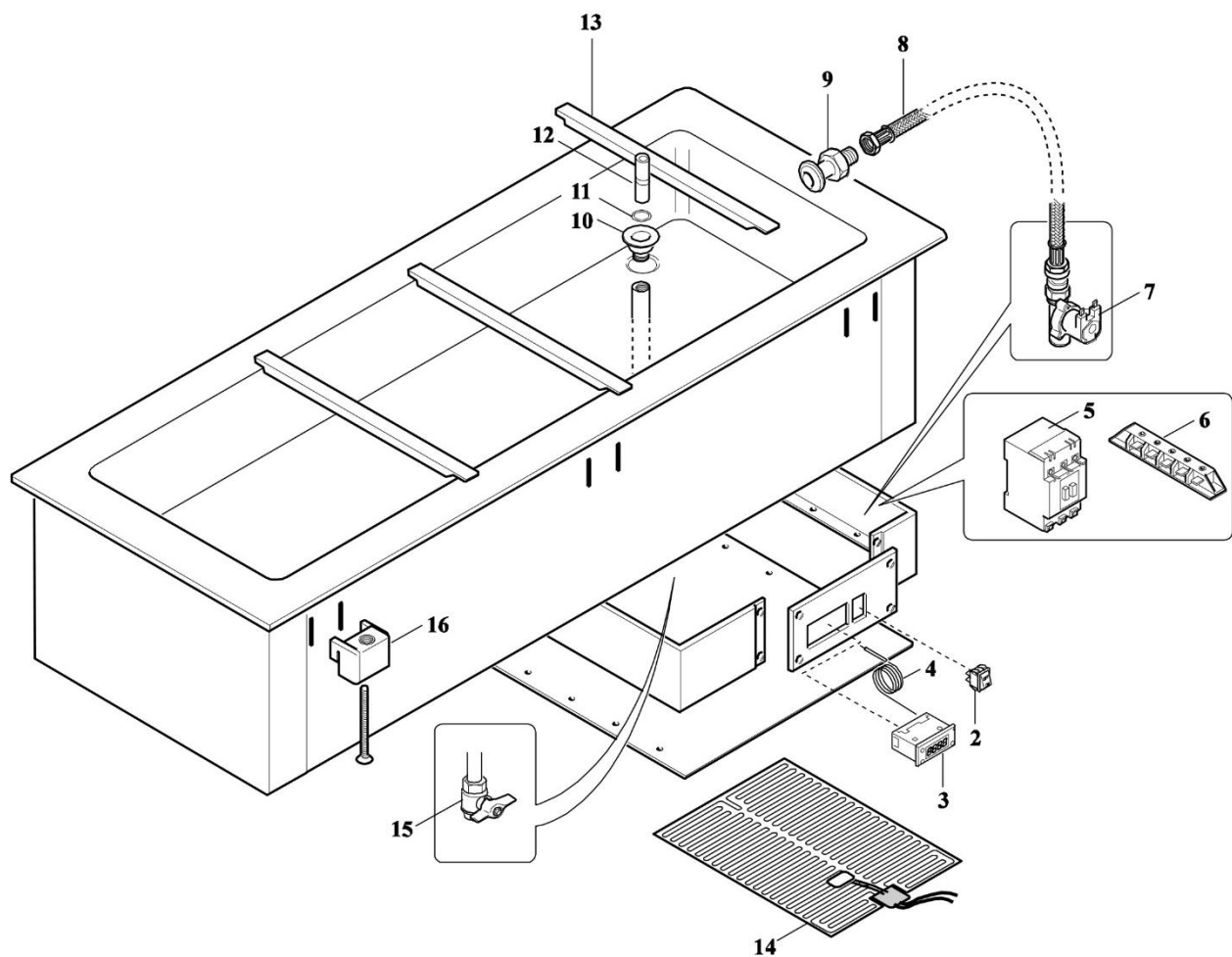
Diamond
catering equipment

**ELEMENTO BAGNOMARIA DA INCASSO
“SELF IN”**

**BAIN-MARIE UNIT
“SELF IN”**

**BAINMARIE-ELEMENT
“SELF IN”**

**ELEMENT BAIN-MARIE
“SELF IN”**



ELEMENTO BAGNOMARIA DA INCASSO
“SELF IN”

BAIN-MARIE UNIT
“SELF IN”

BAINMARIE-ELEMENT
“SELF IN”

ELEMENT BAIN-MARIE
“SELF IN”

Pos.	DENOMINAZIONE	2 GN 1/1	3 GN 1/1	4 GN 1/1	5 GN 1/1
2	Pulsante carico acqua	3700102	3700102	3700102	3700102
3	Termostato digitale	3700125	3700125	3700125	3700125
4	Sonda NTC	3700089	3700089	3700089	3700089
5	Teleruttore	-	3700080	3700080	3700080
6	Morsettiera	3720148	3720150	3720150	3720150
7	Elettrovalvola acqua	3740017	3740017	3740017	3740017
8	Tube flessibile carico acqua	3600122	3600122	3600122	3600122
9	Getto di riempimento	3600032	3600032	3600032	3600032
10	Piletta scarico	3600077	3600077	3600077	3600077
11	OR troppo pieno	3600072	3600072	3600072	3600072
12	Troppo pieno	3600076	3600076	3600076	3600076
13	Traversino	2300306	2300306	2300306	2300306
14	Resistenza vasca	3710040	3710040	3710040	3710040
15	Valvola di scarico	3600261	3600261	3600261	3600261
16	Staffa di fissaggio	2332523	2332523	2332523	2332523

Pos.	DESCRIPTION	2 GN 1/1	3 GN 1/1	4 GN 1/1	5 GN 1/1
2	Water supply pushbutton	3700102	3700102	3700102	3700102
3	Digital thermostat	3700125	3700125	3700125	3700125
4	Sensor NTC	3700089	3700089	3700089	3700089
5	Electromagnetic switch	-	3700080	3700080	3700080
6	Terminal board	3720148	3720150	3720150	3720150
7	Water solenoid valve	3740017	3740017	3740017	3740017
8	Water tube	3600122	3600122	3600122	3600122
9	Water supply jet	3600032	3600032	3600032	3600032
10	Waste	3600077	3600077	3600077	3600077
11	Overflow O ring	3600072	3600072	3600072	3600072
12	Overflow	3600076	3600076	3600076	3600076
13	Crosspiece	2300306	2300306	2300306	2300306
14	Basin heating element	3710040	3710040	3710040	3710040
15	Washout valve	3600261	3600261	3600261	3600261
16	Assembly bracket	2332523	2332523	2332523	2332523

ELEMENTO BAGNOMARIA DA INCASSO
“SELF IN”

BAIN-MARIE UNIT
“SELF IN”

BAINMARIE-ELEMENT
“SELF IN”

ELEMENT BAIN-MARIE
“SELF IN”

Pos.	BEZEICHNUNG	2 GN 1/1	3 GN 1/1	4 GN 1/1	5 GN 1/1
2	Wasser Zulaufsknopf	3700102	3700102	3700102	3700102
3	Digitaler Thermostat	3700125	3700125	3700125	3700125
4	Fühler NTC	3700089	3700089	3700089	3700089
5	Fernschalter	-	3700080	3700080	3700080
6	Klemmenleiste	3720148	3720150	3720150	3720150
7	E-Ventil Wasser	3740017	3740017	3740017	3740017
8	Flexibel Rohr des Wasserzulaufs	3600122	3600122	3600122	3600122
9	Spritzdüsen	3600032	3600032	3600032	3600032
10	Auslauf	3600077	3600077	3600077	3600077
11	O-Ring Überlauf	3600072	3600072	3600072	3600072
12	Überlauf	3600076	3600076	3600076	3600076
13	Querstrebe	2300306	2300306	2300306	2300306
14	Heizkörper Wanne	3710040	3710040	3710040	3710040
15	Ablassventil	3600261	3600261	3600261	3600261
16	Spannbügel	2332523	2332523	2332523	2332523

Pos.	DÉNOMINATION	2 GN 1/1	3 GN 1/1	4 GN 1/1	5 GN 1/1
2	Bouton charge eau	3700102	3700102	3700102	3700102
3	Thermostat digital	3700125	3700125	3700125	3700125
4	Sonde NTC	3700089	3700089	3700089	3700089
5	Térupteur	-	3700080	3700080	3700080
6	Bornier	3720148	3720150	3720150	3720150
7	Electrovalve eau	3740017	3740017	3740017	3740017
8	Tuyaux flexible eau	3600122	3600122	3600122	3600122
9	Arrivée d'eau	3600032	3600032	3600032	3600032
10	Bonde de vidange	3600077	3600077	3600077	3600077
11	OR trop-plein	3600072	3600072	3600072	3600072
12	Trop-plein	3600076	3600076	3600076	3600076
13	Petite traverse	2300306	2300306	2300306	2300306
14	Résistance cuve	3710040	3710040	3710040	3710040
15	Soupape de déchargement	3600261	3600261	3600261	3600261
16	Support de fixation	2332523	2332523	2332523	2332523