

01/2018

Mod: DPA/BM12

Production code: 8046421

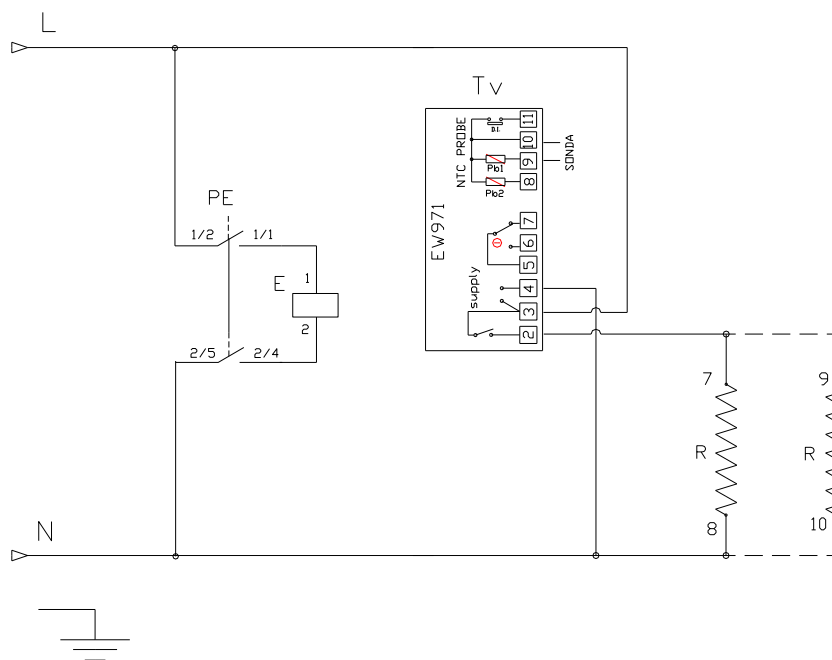


Diamond
catering equipment

SCHEMA ELETTRICO – WIRING DIAGRAM – SCHALTPLAN - SCHEMA ELECTRIQUE

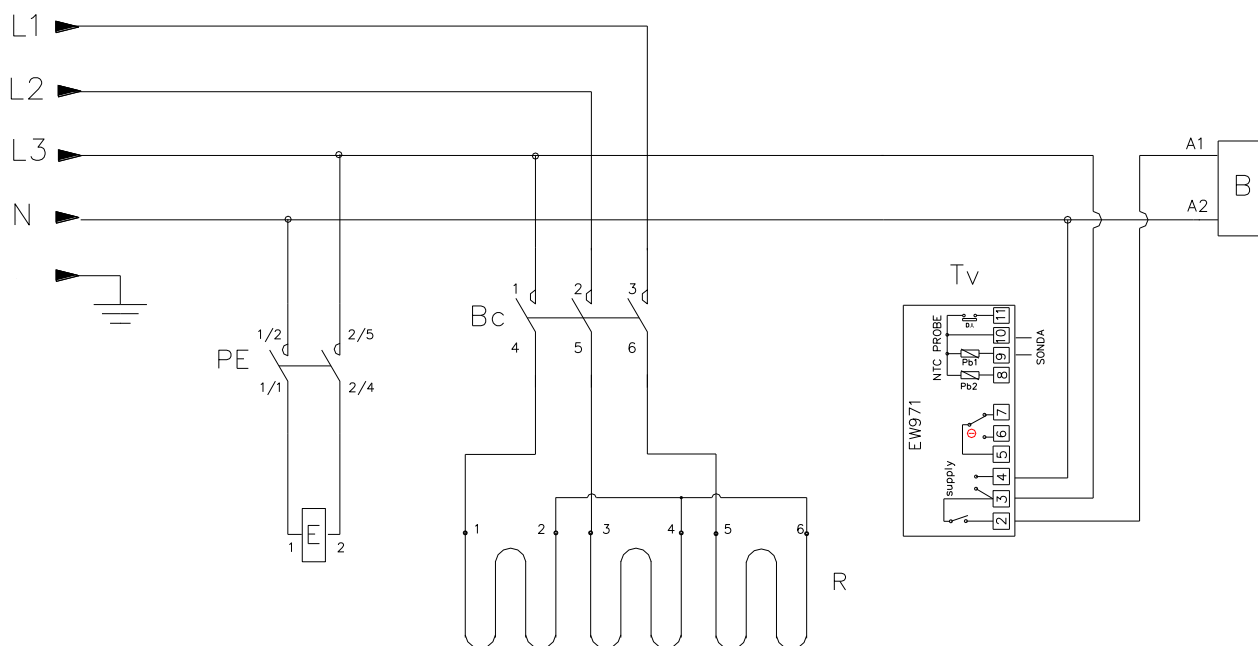
**BAGNOMARIA SU VASCA 1 GN1/1 - 2 GN1/1 - BAIN-MARIE ON BASIN 1 GN1/1 - 2 GN1/1
 BAINMARIE IN DER WANNE 1 GN1/1 - 2 GN1/1 - BAIN-MARIE SUR BAC 1 GN1/1 - 2 GN1/1**

Mod. : IBM1 - IBM2



**BAGNOMARIA SU VASCA 3 GN1/1-4 GN1/1 - BAIN-MARIE ON BASIN 3 GN1/1-4 GN1/1
 BAINMARIE IN DER WANNE 3 GN1/1-4 GN1/1 - BAIN-MARIE SUR BAC 3 GN1/1-4 GN1/1**

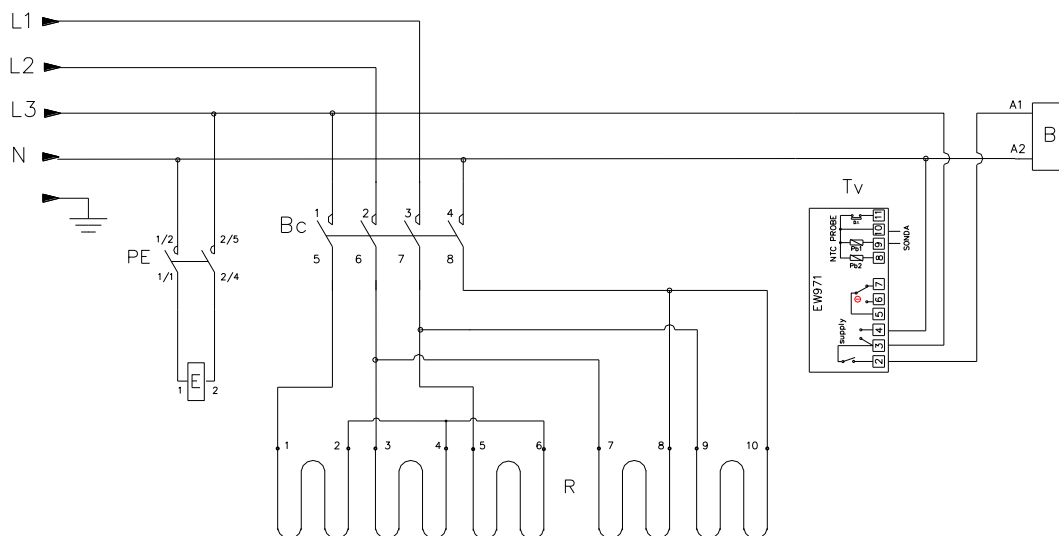
Mod. : IBM3 – IBM4



SCHEMA ELETTRICO – WIRING DIAGRAM – SCHALTPLAN - SCHEMA ELECTRIQUE

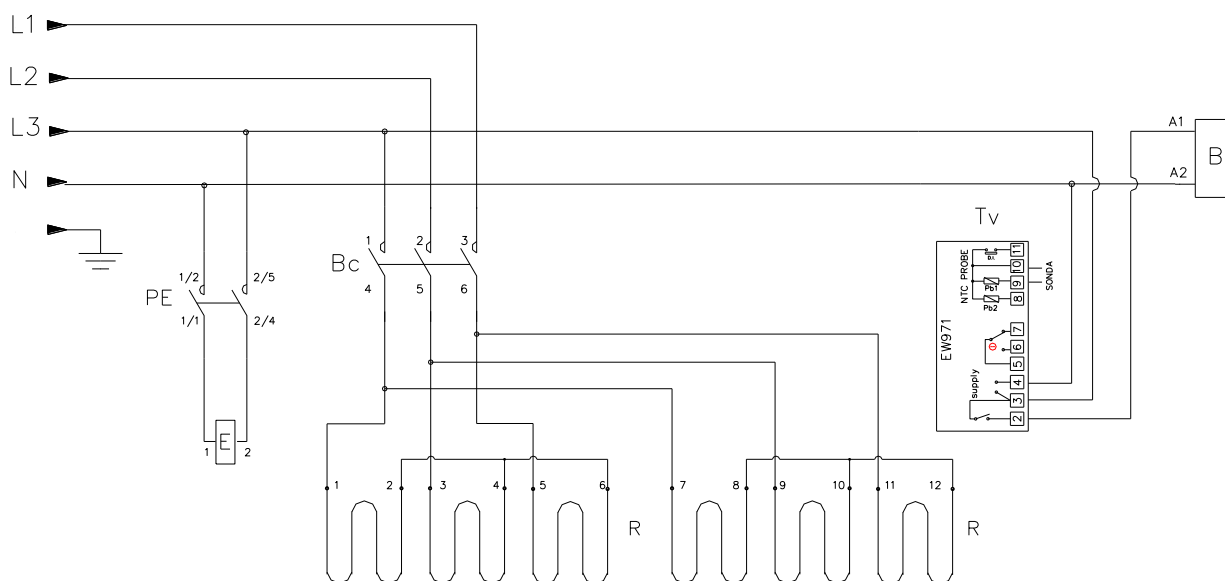
**BAGNOMARIA SU VASCA 5 GN1/1 - BAIN-MARIE ON BASIN 5 GN1/1 -
BAINMARIE IN DER WANNE 5 GN1/1 - BAIN-MARIE SUR BAC 5 GN1/1**

Mod. : IBM5



**BAGNOMARIA SU VASCA 6 GN1/1 - BAIN-MARIE ON BASIN 6 GN1/1 -
BAINMARIE IN DER WANNE 6 GN1/1 - BAIN-MARIE SUR BAC 6 GN1/1**

Mod. : IBM6



Tv	TERMOSTATO REGOLAZIONE VASCA	BASIN REGULATOR THERMOSTAT	THERMOSTAT EINSTELLUNG WANNE	THERMOSTAT REGLAGE BAC
B	BOBINA TELERUTTORE	ELECTROMAGNETIC SWITCH COIL	SPULE FERNSCHALTER	BOBINE TELERUPTEUR
BC	CONTATTI TELERUTTORE	ELECTROMAGNETIC SWITCH CONTACTS	KONTAKTE FERNSCHALTER	CONTACTS TELERUPTEUR
R	RESISTENZA RISCALDANTE	HEATING ELEMENT	HEIZKÖRPER	RESISTANCE CHAUFFANTE
E	ELETTRIVALVOLA	SOLENOID VALVE	E-VENTIL	VALVE ELECTRIQUE
PE	PULSANTE ELETTRIVALV.	SOLENOID VALVE BUTTON	TASTE E-VENTIL	BOUTON VALVE ELECTRIQUE