

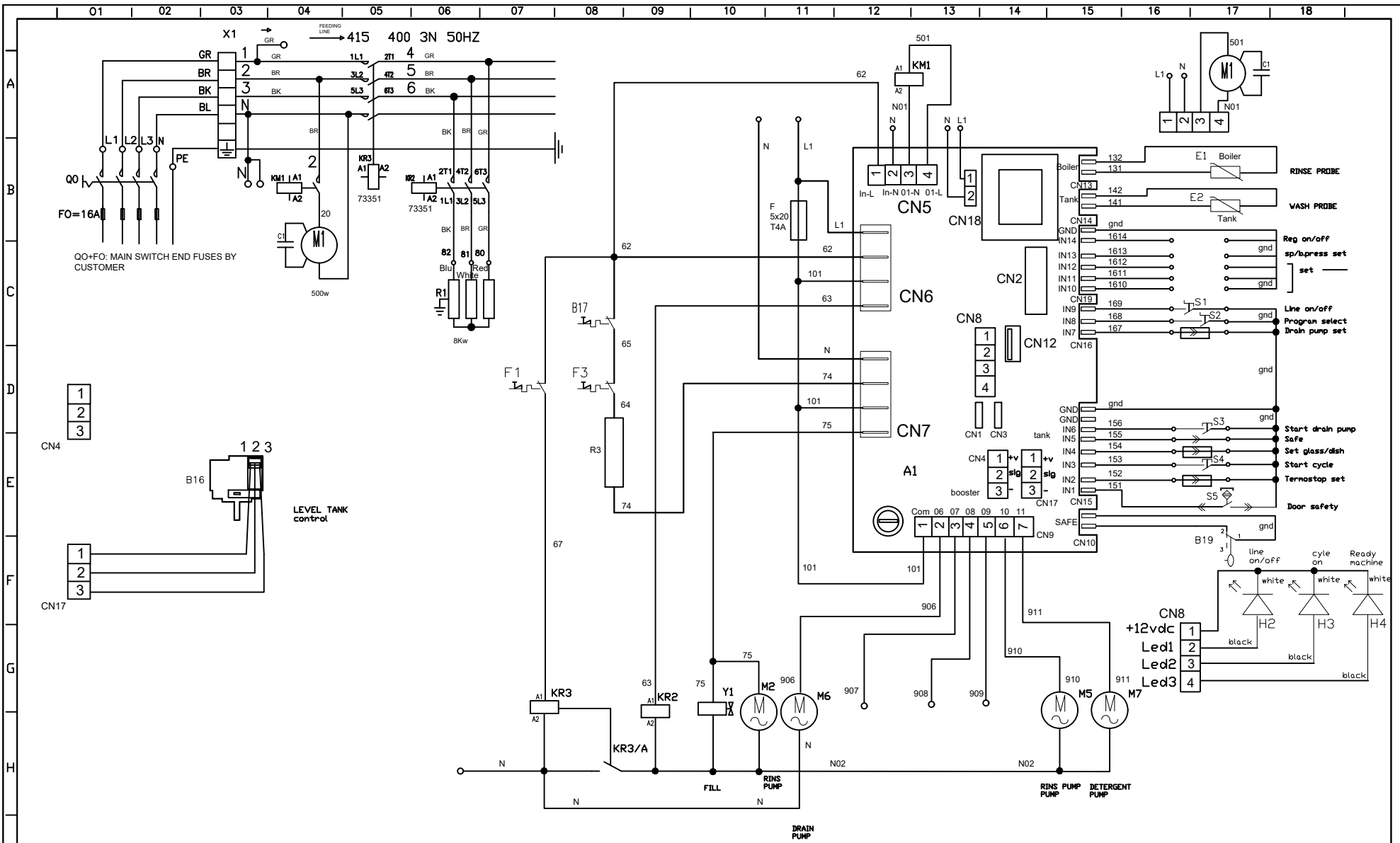
06/2017

# Mod: DK7/6

Production code: ST3800BE

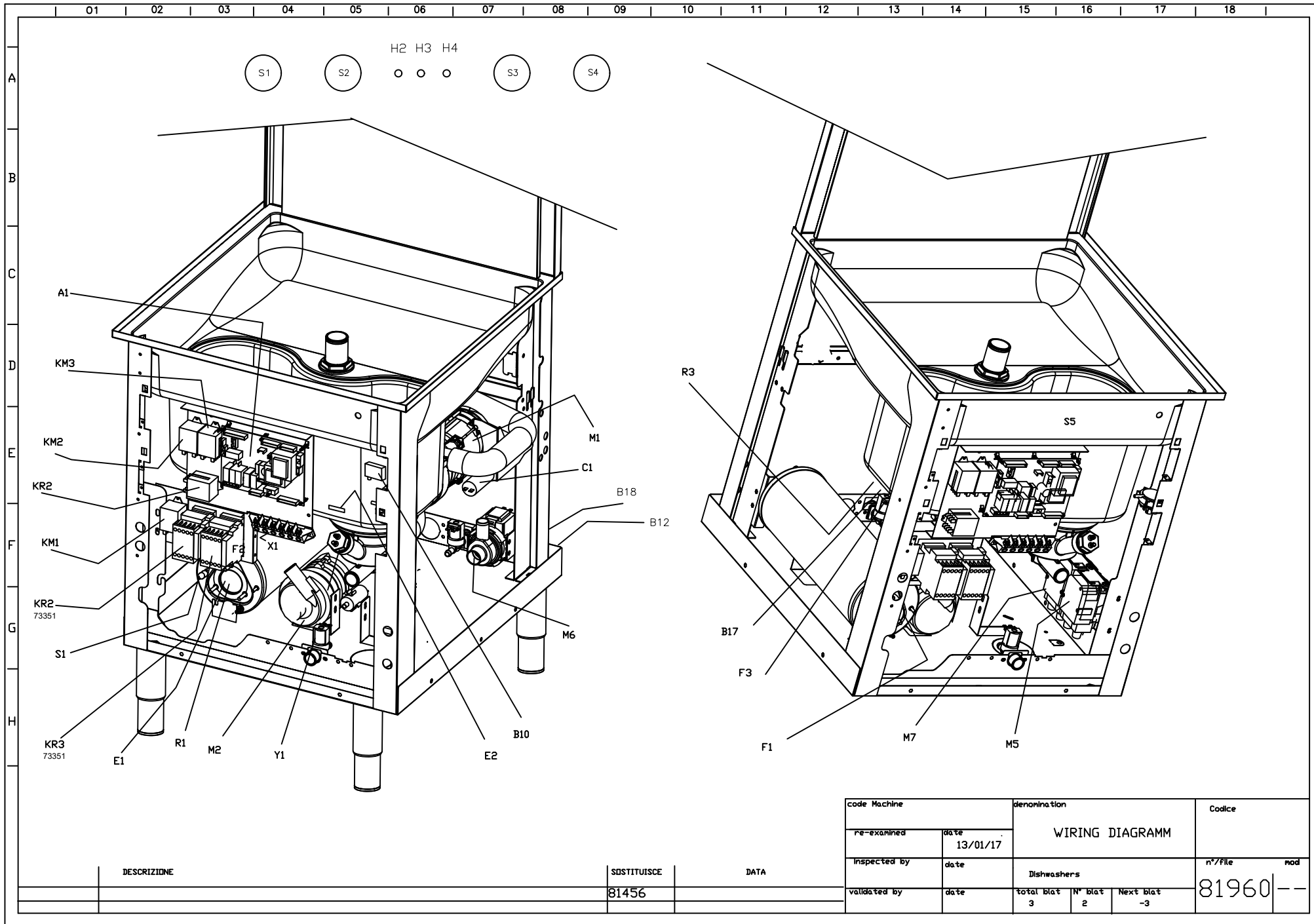


**Diamond**  
catering equipment



code Machine		denominazione		Codice	
re-examined	date/date	WIRING DIAGRAMM		81960	
inspected by	date			Implanto 87106	
validated by	date/date	Dishwashers		n°/file	mod
		total blat	N° blat	Next blat	
		3	2	-3	

DESCRIZIONE	SOSTITUISCE	DATA
-1 spostato collegamento elettropompa		
-2		



DESCRIZIONE

SDSTITUISCE

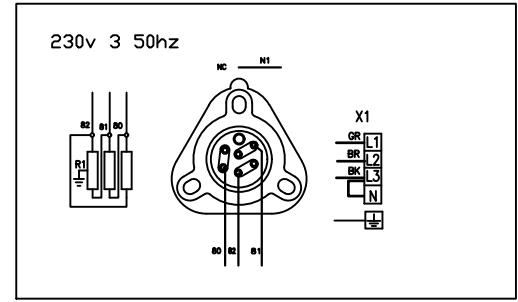
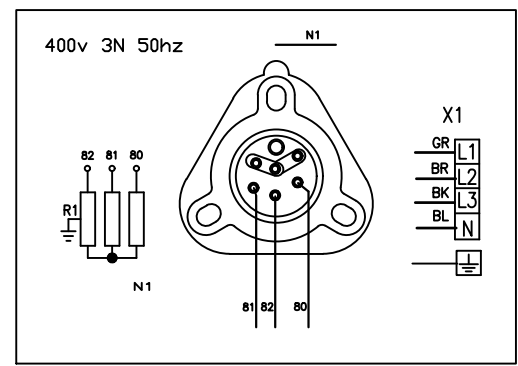
DATA

81456

code Machine		denomination		Codice	
re-examined	date	WIRING DIAGRAM		n°/file mod	
	13/01/17				
inspected by	date	Dishwashers		81960 --	
validated by	date	total blat	N° blat	Next blat	
		3	2	-3	

A  
B  
C  
D  
E  
F  
G  
H

S6	PULSANTE DI LINEA MAIN SWITCH	INTERRUPTEUR DE LIGNE NETZSCHALTER	
S5	MICROINTERRUTTORE MAGNETICO MAGNETIC SAFETY MICROSWITCH	MICROINTERRUPTEUR MAGNETIQUE MAGNETISCHER SICHERHITSSCHALTER	
S3	INTERRUTTORE DI CICLO CYCLE SWITCH	INTERRUPTEUR DE DEMARRAGE WASCHVORGANGSSCHALTER	
S4	SELETTORE CICLO CYCLE COMMUTATOR	SELECTEUR CYCLE WAEHLSCHALTER FUER WASCHVORGANGSDAUER	
S1	TERMOSTATO SICUREZZA BOILER SAFETY BOOSTER HEATER THERMOSTAT	THERMOSTAT DE SICURITE DU BOYLER SICHERHEITZUNG	
F3A S2	TERMOSTATO SICUREZZA VASCA SAFETY TANK HEATER THERMOSTAT	THERMOSTAT DE SICURITE CUVE SICHERHEITS- TANKTHERMOSTAT	
R3	RESISTENZA VASCA LAVAGGIO WASH TANK HEATING ELEMENT	RESISTANCE CUVE DE LAVAGE WASCHTANKHEIZUNG	
R1	RESISTENZA BOILER BOOSTER HEATER HEATING ELEMENT	RESISTANCE BOYLER BOILERHEIZUNG	
M7	ELETTRODOSATORE TENSIOATTIVO EL. RINSE/ID INJECTOR	DOSEUR EL. PRODUIT RINCAGE NACHSPUELMITTELDOSIERGERAET	
M6	ELETTROPOMPA DI SCARICO DRAIN PUMP	MOTEUR POMPE VIDANGE MOTOR LAUGENPUMPE	
M2	ELETTROPOMPA RISCIAQUO RINSE BOOSTER PUMP	ELECTROPOMPE AUGMENT PRESSION DRUCKSTEIGERUNGSPUMPE	
M5	ELETTRODOSATORE DETERSIVO EL. DETERGENT INJECTOR	DOSEUR EL. DETERGENT SPUEL MITTELDOSIERGERAET	
M1	ELETTROPOMPA LAVAGGIO WASH ELECTRIC PUMP	ELECTROPOMPE LAVAGE ELEKTRISCHE UMAELZPUMPE	
KR3	TELERUTTORE SICUREZZA RESISTENZA BOILER SAFETY BOOSTER HEATER CONTACTOR	CONTACTEUR RESISTANCE BOYLER LUFTSCHUETZ F. BOILERHEIZUNG	
KR2	TELERUTTORE RESISTENZA BOILER BOOSTER HEATER CONTACTOR	CONTACTEUR RESISTANCE BOYLER LUFTSCHUETZ F. BOILERHEIZUNG	
Y1	ELETTROVALVOLA RISCIAQUO RINSE SOLENOID VALVE	ELECTROVANNE DE RINCAGE MAGNETIVENT FUER NACHSPUELLUNG	
F... n1/n3	FUSIBILE FEUSES		
E1	SONDA CONTROLLO VASCA PROBE TANK HEATER	THERMOSTAT RESISTANCE CUVE THANKHEIZUNG/THERMOSTAT	
E2	SONDA CONTROLLO BOILER BOOSTER HEATER THERMOSTAT	THERMOSTAT RESISTANCE BOYLER BOILERHEIZUNG	
C1/C2	CONDENSATORE CAPACITOUR		
B16	PRESSOSTATO LIVELLO BOILER BOILER PRESSURE SWITCH	PRESSOSTAT NIVEAU SURCHAUFFER NACHSPULBOILER NIVEAUSCHALTER	
B18	CONTROLLO LIVELLO BRILLANTANTE RINSE AID CONTROL LEVEL	CONTROLE NIVEAU PRODUIT DE RINCAGE STUFE GLANZMITTEL	
B12	CONTROLLO LIVELLO DETERGENTE DETERGENT LEVEL	CONTROLE NIVEAU DETERGENT SPULMITTELNIVEAUSCHALTER	
B10	PRESSOSTATO LIVELLO VASCA TANK PRESSURE SWITCH	PRESSOSTAT NIVEAU AIRGAP TANKDRUCKSCHALTER-NIVEAUREGLER	
n/n3	SCHEDA CONTROLLO ELECTRONIC CONTROL UNIT	FICHE DE CONTROLEELECTRONIQUE ELEKTRONISCHE BEDIENUNGSKARTE	
SIMB.	DESCRIZIONE DESCRIPTION	DESCRIZIONE BESCHREIBUNG	

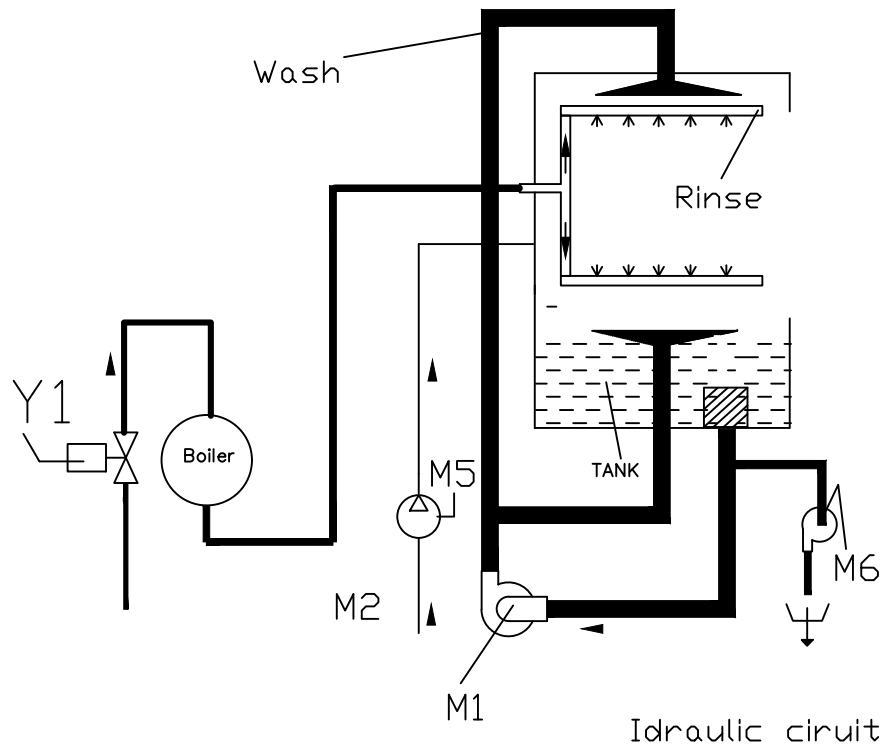


	DESCRIZIONE	SDSTITUISCE	DATA
-1	collegamento monofase	81456	15-09-09

code Machine		denomination		Code	
re-examined	date	WIRING DIAGRAMM		n°/file	mod
	13/01/17				
inspected by	date	Dishwashers		81959	--
validated by	date	total blatt	N° blatt		
		3	1	-2	

# Set machine

	<b>b press 60-120</b>	<b>b press 90-150</b>	<b>sp 60- 120</b>	<b>sp 60- 120</b>	<b>b press 60-120</b>
in10 set	0	1	0	1	0
In11 set	0	0	1	1	0
In12 set	0	0	0	0	1
in7 set	0	0	0	0	0
in14 reg	0/1	0/1	0/1	0/1	0/1
in13 SP	0/1	0/1	0/1	0/1	0/1
type	15 l				20 l
<b>cod</b>	<b>1</b>	<b>2</b>	<b>3</b>	<b>4</b>	<b>5</b>
Macchina					
<b>Range</b>	<b>b press 60-120</b>	<b>b press 90-150</b>	<b>sp 60- 120</b>	<b>sp 90- 150</b>	<b>b press 60-120</b>



code Machine		denomination			Codice	
re-examined	date	Idraulic DIAGRAMM				
inspected by	date	Dishwashers			n°/file	mod
validated by	date	total blat	N° blat	Next blat	81959	--
		4	4	--		