

08/2010

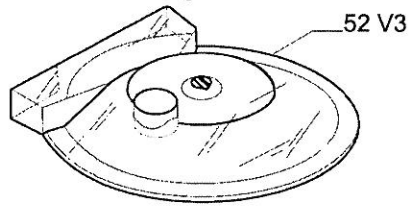
Mod: **CSP/6V**

Production code: **40801302EHL**

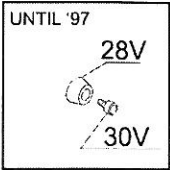
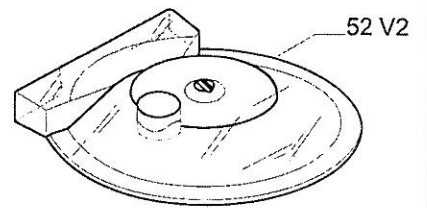


Diamond
catering equipment

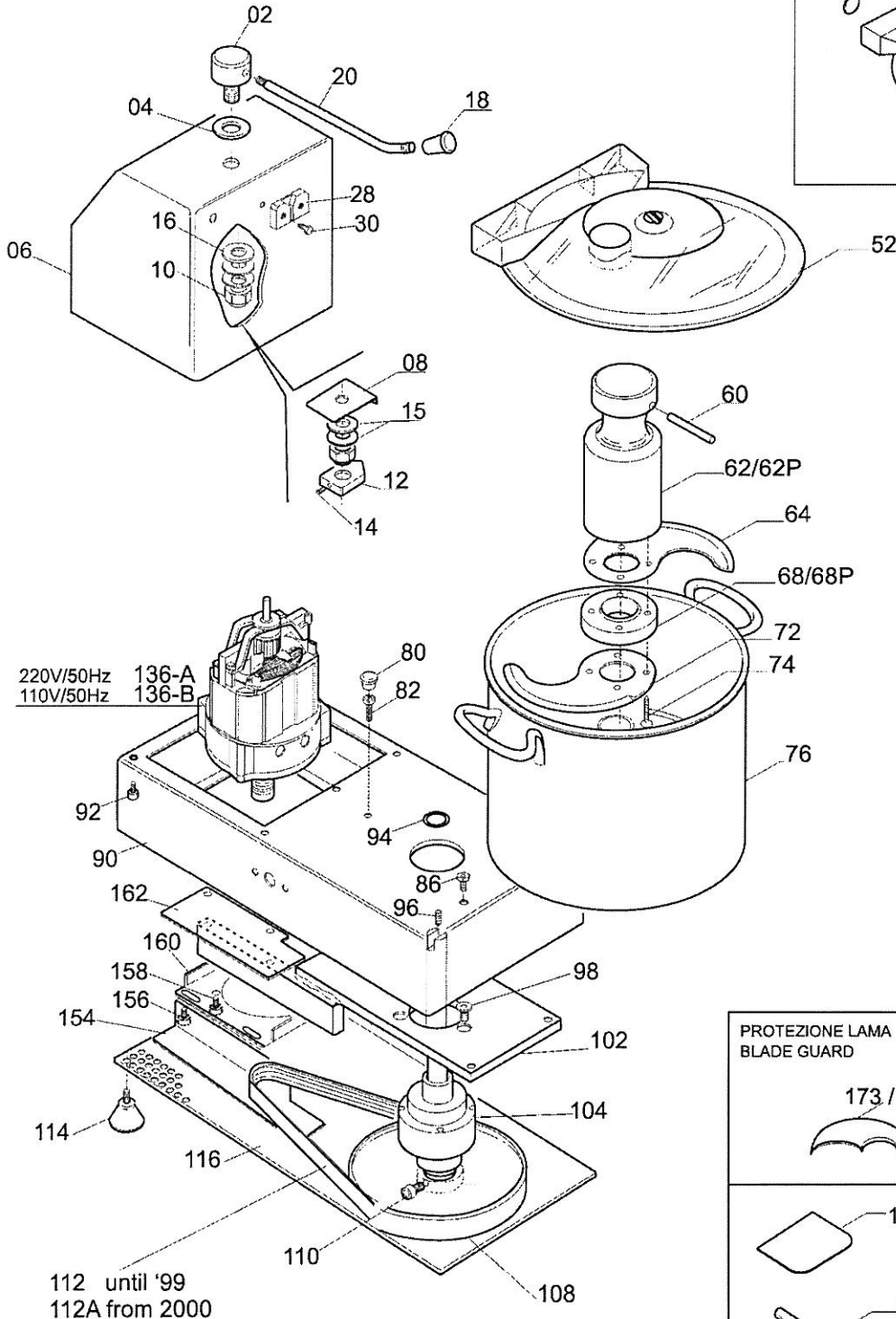
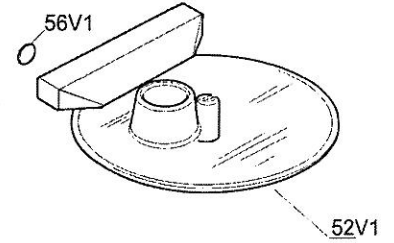
Fino al 08/2003 no guarnizione
 Until 08/2003 no gasket



Fino al 1999 con Magnete
 Until 1999 with Magnet



Fino al 1992
 Until 1992

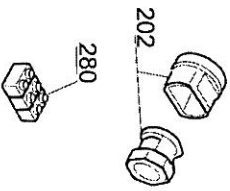
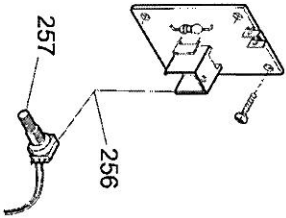
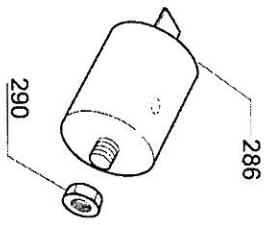


220V/50Hz 136-A
 110V/50Hz 136-B

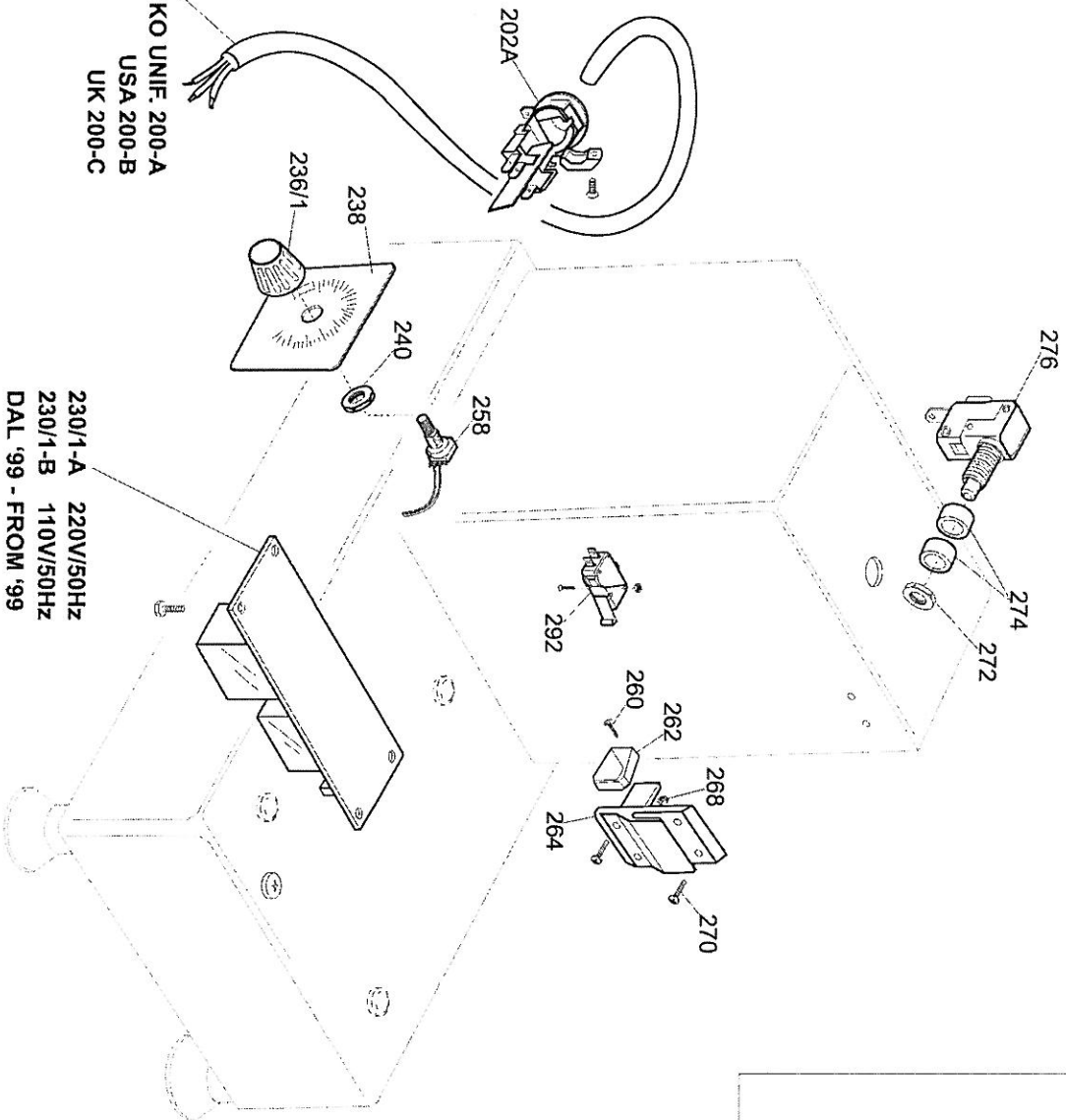
| | |
|-----------|--|
| 64P | |
| 64F | |
| 72F | |
| 64Z | |
| 72Z | |
| 173 / 175 | |
| 170 | |
| 174 | |
| 64V | |

112 until '99
 112A from 2000

FINO AL '99 - UNTIL '99

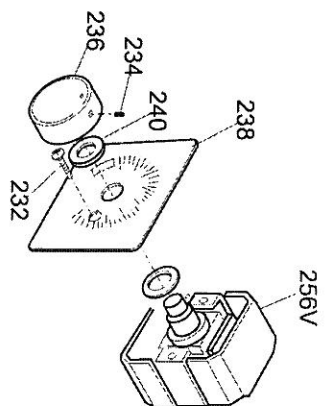


SUKO UNIF: 200-A
USA 200-B
UK 200-C

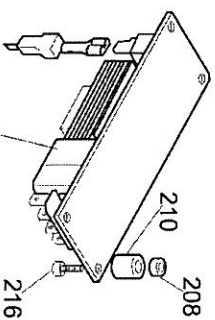


230/1-A 220V/50Hz
230/1-B 110V/50Hz
DAL '99 - FROM '99

FINO AL '95 - UNTIL '95



FINO AL '99 - UNTIL '99



230-A 220V/50Hz
230-B 110V/50Hz

