

07/2018

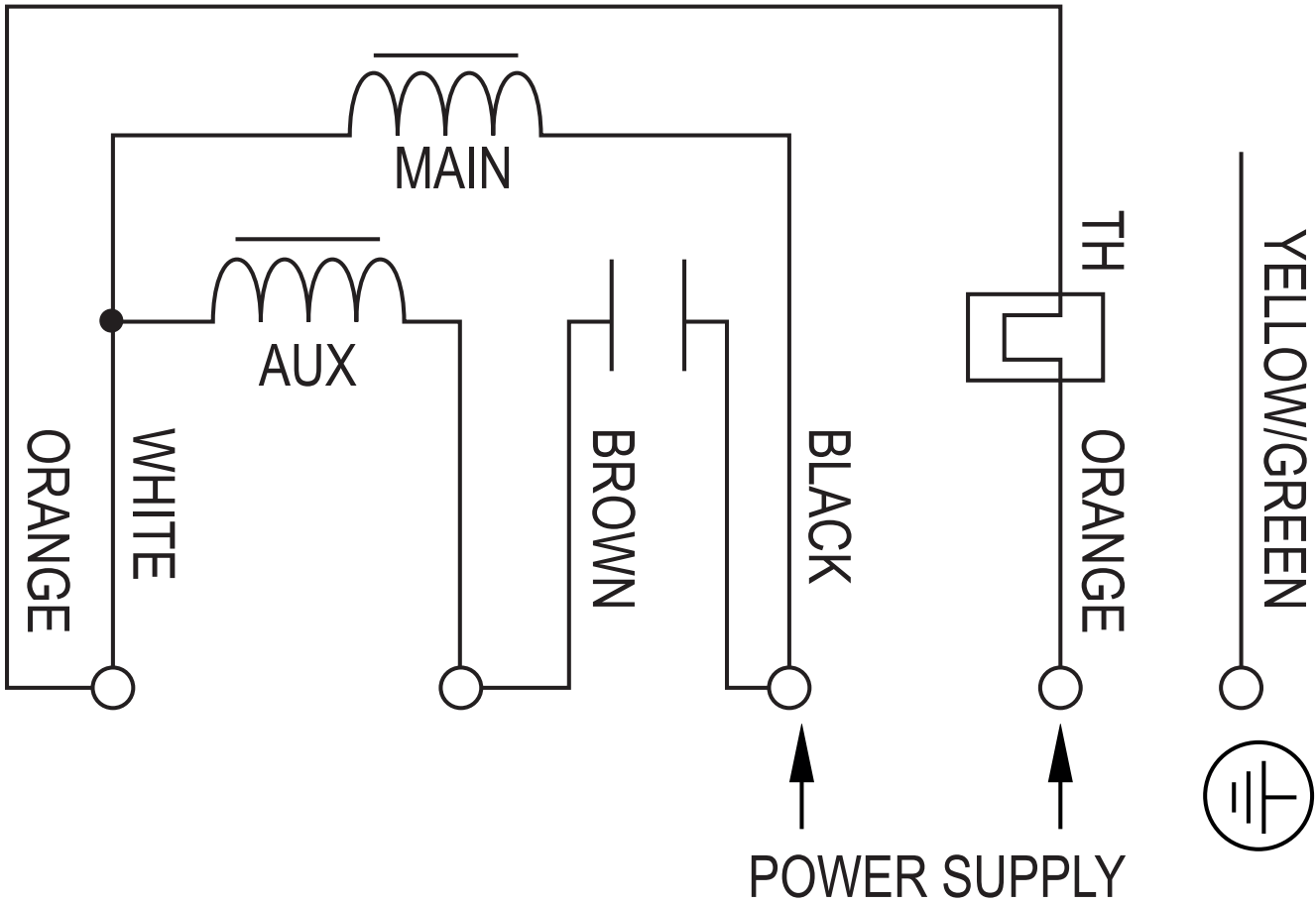
Mod: **CSL2509-VTB**

Production code: **HPL/2504-P**



Diamond
catering equipment

Connection diagram



BLACK
BLUE
RED
YELLOW
BROWN
GREEN
WHITE
YELLOW/GREEN
ORANGE
GREY
VIOLET
SPEED 1,2,3,4
PHASE
NEUTRAL