

12/2019

Mod: COMPACT/2EB

Production code: CARAVEL 2 CV BLACK

MÁQUINA CAFÉ ESPRESSO

ESPRESSO COFFEE MACHINE



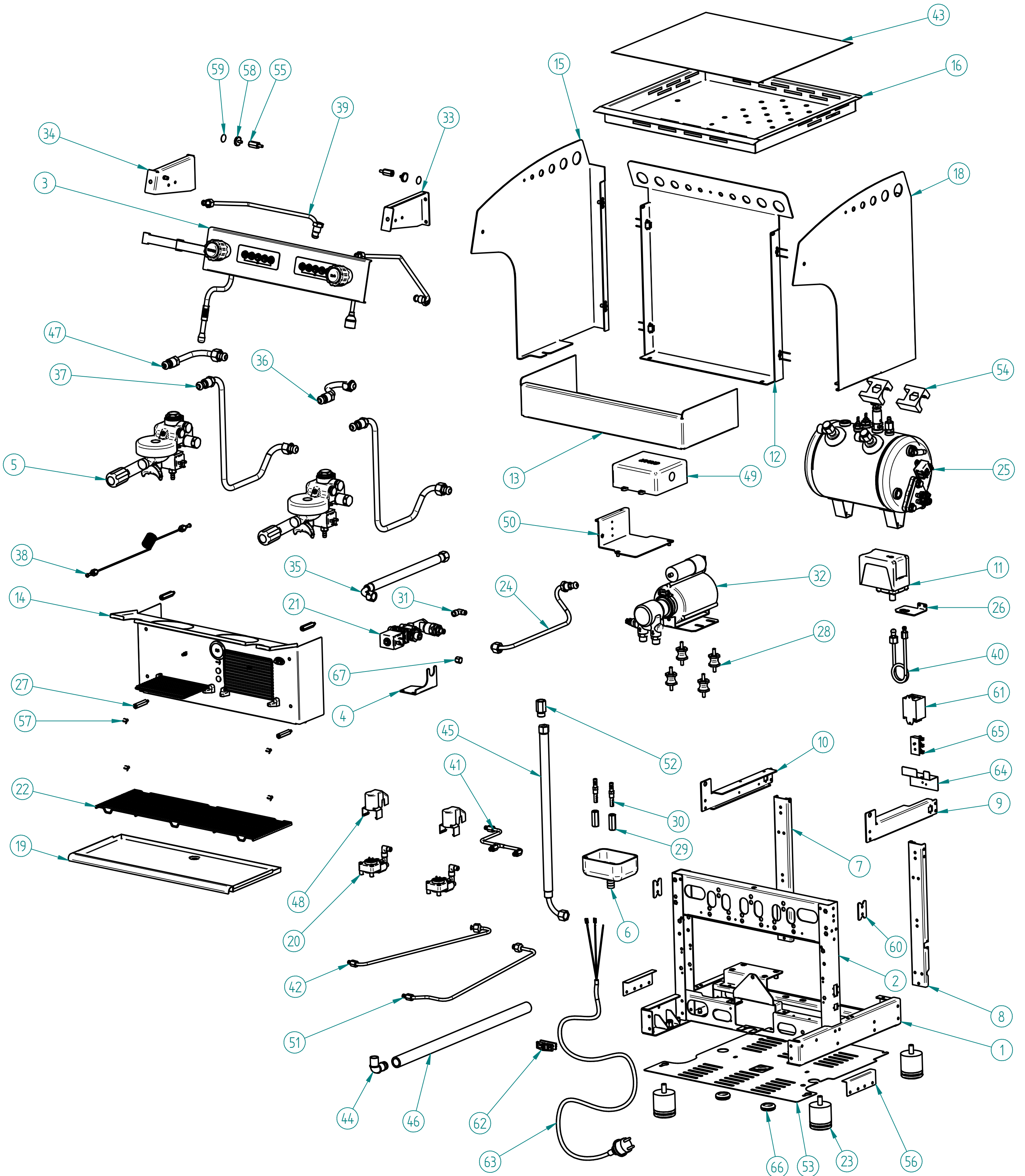
MÁQ. CAFÉ COMPACT/2EB

ESPRESSO COFFEE MACHINE COMPACT/2EB

POTÊNCIA	2700 W
<i>POWER</i>	
TENSÃO DE ALIMENTAÇÃO	~ 220-240V - 50/60Hz
<i>POWER SUPPLY</i>	
GRUPOS	2
<i>GROUPS</i>	
CAPACIDADE DA CALDEIRA	6,5 L
<i>BOLLER CAPACITY</i>	
TORNEIRAS DE AGUA / VAPOR	1 / 1
<i>WATER TAP / STEAM TAP</i>	
PESO LIQUIDO	52,5 kg
<i>NET WEIGHT</i>	
PESO BRUTO	59 kg
<i>GROSS WEIGHT</i>	
DIMENSÕES (LxPxH)	475 x 563 x 530 mm
<i>DIMENSIONS</i>	
DIMENSÕES DA EMBALAGEM (LxPxH)	630 x 630 x 670 mm
<i>PACKAGE DIMENSIONS</i>	

MÁQ. CAFÉ COMPACT/2EB

ESPRESSO COFFEE MACHINE COMPACT/2EB



Os elementos deste desenho podem ser alterados sem aviso prévio.
This drawing may be altered without previous notice.

MÁQ. CAFÉ COMPACT/2EB

ESPRESSO COFFEE MACHINE COMPACT/2EB

LISTA DE COMPONENTES E ACESSÓRIOS

Spare parts list

ITEM Nº	CÓDIGO	DESIGNAÇÃO	DESIGNATION	QUANT.
1	7.0.016.5511	CHASSI HORIZONTAL ATLANTIC 1 ECC	HORIZONTAL CHASSIS ATLANTIC 1 ECC	1
2	7.0.016.5512	CHASSI VERTICAL ATLANTIC 1 ECC	VERTICAL CHASSIS ATLANTIC 1 ECC	1
3	PRE-MONTAGEM	PM_PAINEL COMANDO SUPERIOR CONJ. COMPACT/2E	UPPER COMMAND PANEL ASS. COMPACT/2E	1
4	7.0.016.5050	SUPORTE BLOCO ATLANTIC ECC	DISTRIBUTION GROUP SUPPORT ATLANTIC ECC	1
5		GRUPO ECC-07 C/ ACESSORIOS	ECC-07 GROUP W/ ACCESS.	2
6	4.0.000.0840	DEPOSITO ESGOTO PLASTICO	DRAIN TRAY	1
7	7.0.016.1054	CANTO POSTERIOR ESQ. ATLANTIC NV	LEFT REAR SUPPORT ATLANTIC NV	1
8	7.0.016.1055	CANTO POSTERIOR DIR. ATLANTIC NV	RIGHT REAR SUPPORT ATLANTIC NV	1
9	7.0.016.1540	REFORÇO LATERAL SUP. DIR. ATLANTIC REBIT	RIGHT SIDE PANEL SUPPORT	1
10	7.0.016.1542	REFORÇO LATERAL SUP. ESQ. ATLANTIC REBIT	LEFT SIDE PANEL SUPPORT	1
11	5.0.000.0680	PRESSOSTATO 30A/400V 0,5-1,4BAR	PRESSURE SWITCH 30A/400V 0,5-1,4BAR	1
12	7.0.016.7122	PAINEL POSTERIOR PINT. BLACK CARAVEL 1	REAR PANEL BLACK CARAVEL 1	1
13	7.0.016.7457	PAINEL COMANDO INF. CARAVEL 1 TC	LOWER CONTROL PANEL CARAVEL 1 TC	1
14	PRE-MONTAGEM	PM_PAINEL FRONTAL CONJ. COMPACT/2E	FRONT PANEL COMPACT/2E	1
15	7.0.016.7112	PAINEL LATERAL ESQ. PINT. BLACK CARAVEL	LEFT SIDE PANEL BLACK CARAVEL	1
16	7.0.016.5215	TABULEIRO SUPERIOR ATLANTIC 1 ECC	UPPER TRAY ATLANTIC 1 ECC	1
18	7.0.016.7102	PAINEL LATERAL DIR. PINT. BLACK CARAVEL	RIGHT SIDE PANEL BLACK CARAVEL	1
19	7.0.016.5222	TABULEIRO INFERIOR ATLANTIC 1 ECC	LOWER TRAY ATLANTIC 1 ECC	1
20	PRE-MONTAGEM	CONTADOR VOLUMETRICO CONJ. MÁQ. CAFE 1GR / 2GR COMPACT	ASS. VOLUMETRIC DOSER COFFEE MACHINES 1GR / 2 GR COMPACT	2
21	7.0.016.0065	BLOCO ENTRADA AGUA ECC-07 (AUT.) CONJ.	WATER INLET ASS.	1
22	4.0.016.7010	GRELHA TABULEIRO INF. ARAME CARAVEL 1	WIRE TRAY GRID CARAVEL 1	1
23	4.0.000.0803	PE MAQ. DE CAFE 50x50	FEET FOR COFFE MACHINE 50X50	4
24	7.0.000.0065	TUBO BLOCO CALDEIRA	TUBE DISTRIB. GROUP/BOILER	1
25		CALDEIRA 6LT C/ ACESSÓRIOS	6LT BOILER W/ ACCESS.	1
26	7.0.016.1060	SUPORTE PRESSOSTATO MAQ. CAFE	PRESSURE SWITCH SUPPORT	1
27	4.0.028.0070	SEPARADOR BLINDAGEM ELECTROV. GRUPOS	SHIELD GROUP SEPARATOR	4
28	4.0.000.0032	APOIO MOTOR	MOTOR SUPPORT	4
29	4.0.000.0190	CAMPANULA DESCARGA GRUPO	OUTER RACORD OF THE DRAINAGE ASSEMBLY	2
30	4.0.000.0195	RACORD CAMPANULA DESCARGA GRUPO	INNER RACORD OF THE DRAINAGE ASSEMBLY	2
31	5.0.000.0728	RACORD L G1/8-G1/8F	RACORD L G1/8-G1/8F	1
32	7.0.016.0062	MOTOR BOMBA CONJ. RPM 150W	PUMP-MOTOR ASS. RPM 150W	1
33	7.0.016.5142	LATERAL PAINEL COM. SUP. DIR. ATLANTIC ECC	RIGTH SUPPORT UPPER CONTROL PANEL ATLANTIC ECC	1
34	7.0.016.5145	LATERAL PAINEL COM. SUP. ESQ. ATLANTIC ECC	LEFT SUPPORT UPPER CONTROL PANEL ATLANTIC ECC	1
35	5.0.000.0912	TUBO LIGAÇÃO BOMBA C/ CURVA 330MM	PUMP CONNECTION W/ ELBOW 330MM	1
36	7.0.000.0056	TUBO SUP. CART. 1°GR (DIR.) COMPACT	TUBE CARTRIDGE/GROUP	1
37	5.0.000.0947	TUBO INFEROR CARTUCHO GRUPO 12mm	LOWER TUBE CARTRIDGE/GROUP 12MM	2
38	7.0.000.0022	TUBO CAPILAR 1,27X2,5X1000	CAPILLARY TUBE	1
39	7.0.000.0041	TUBO CALDEIRA TORN. AGUA ATLANTIC	TUBE BOILER/WATER TAP	2
40	7.0.000.0051	TUBO CALDEIRA PRESSOSTATO REVOL./ATLANTIC	TUBE BOILER/PRESSURE SWITCH	1
41	7.0.000.0105	TUBO BLOCO CONT. VOL. 2GR COMPACT	TUBE DISTRIB. GROUP/VOL. DOSER 2GR	1
42	7.0.000.0113	TUBO CONT. VOL. INJETOR DIR. (1GR/3GR)	TUBE VOL. DOSER/INJECTOR	1
43	7.0.016.5240	GRELHA REDE 430X360	WIRE MESH GRID 430X360	1
44	4.0.000.0845	RACORD L DEPOSITO ESGOTO PLASTICO	ANGLE RACORD	1
45	4.0.000.0818	TUBO ALIMENTAÇÃO C/ CURVA 1500MM	WATER INLET PIPE 1500MM	1
46	4.0.000.0222	TUBO ESGOTO	DRAIN TUBE	1
47	5.0.025.6484	TUBO SUP. CART. 2°GR (ESQ/CENT) EVOL./3°GR (ESQ) REVOL.	TUBE CARTRIDGE/GROUP	1
48	5.0.000.1013	BLINDAGEM CONTADOR VOLUMETRICO	SHIELD VOLUMETRIC DOSER	2
49	4.0.000.0953	UNIDADE ELECTRONICA GICAR	ELECTRONIC UNIT	1
50	7.0.016.0365	SUPORTE UNIDADE ELECT. GICAR 1GR	GICAR ELECTRONIC UNIT SUPPORT	1
51	7.0.000.0111	TUBO CONT. VOL. INJETOR ESQ. (2GR/3GR)	TUBE VOL. DOSER/INJECTOR	1
52	4.0.000.0040	PORTA FILTRO ENT. AGUA C/ FILTRO NIPLESS	FILTER HOLDER OF WATER INLET	1
53	7.0.016.5070	BLINDAGEM FUNDO ATLANTIC 1 ECC	BOTTOM SHIELD ATLANTIC 1 ECC	1
54	7.0.000.0540	MAGNETICO P/ CART. CIRCUITO GRUPO	MAGNETIC FOR GROUP CIRCUIT	2
55	4.0.016.5052	SEPARADOR PAINEL LAT. ATLANTIC ECC	SIDE PANEL SEPARATOR ATLANTIC ECC	2
56	7.0.016.5223	SUPORTE TABULEIRO INF. ATLANTIC ECC	LOWER TRAY SUPPORT ATLANTIC ECC	2
57	4.2.000.9116	PARAFUSO CAB. OVAL LARGA M5X10 NIQ	SCREW M5X10	4
58	4.0.016.5054	PARAFUSO PAINEL LAT. ATLANTIC ECC	SCREW SIDE PANEL ATLANTIC ECC	2
59	4.0.016.5057	AUTOCOLANTE PAINEL LAT. NEUTRO	SIDE PANEL STICKER	2
60	7.0.016.5519	CHAPA COMPENSAÇÃO CHASSI VERT. ATLANTIC ECC	COMPENSATION PLATE VERT. CHASSIS ATLANTIC ECC	2
61	4.0.000.0995	RELE 16A / 230VAC	RELE 16A / 230VAC	1
62	4.0.000.0496	CERRA CABOS PA 268	CABLE FASTENER PA 268	1
63	4.0.085.0070	CABO H07RN-F 3G1,5 - 1,5MT C/ FICHA+TERM.	CABLE H07RN-F 3G1,5 - 1,5MT W/ PLUG	1
64	7.0.016.7006	SUPORTE LIGADOR 3 POLOS CARAVEL 1	3-POLE TERMINAL BLOCK SUPPORT CARAVEL 1	1
65	4.0.016.0101	LIGADOR 3 POLOS	3-POLES CONNECTOR	1
66	4.0.000.0372	PASSA FIOS P/ FURO Ø25MM	WIRE PROTECTION	2
67	4.0.000.0150	TAMPAO G1/8F LATAO	BRASS COVER G1/8F	1

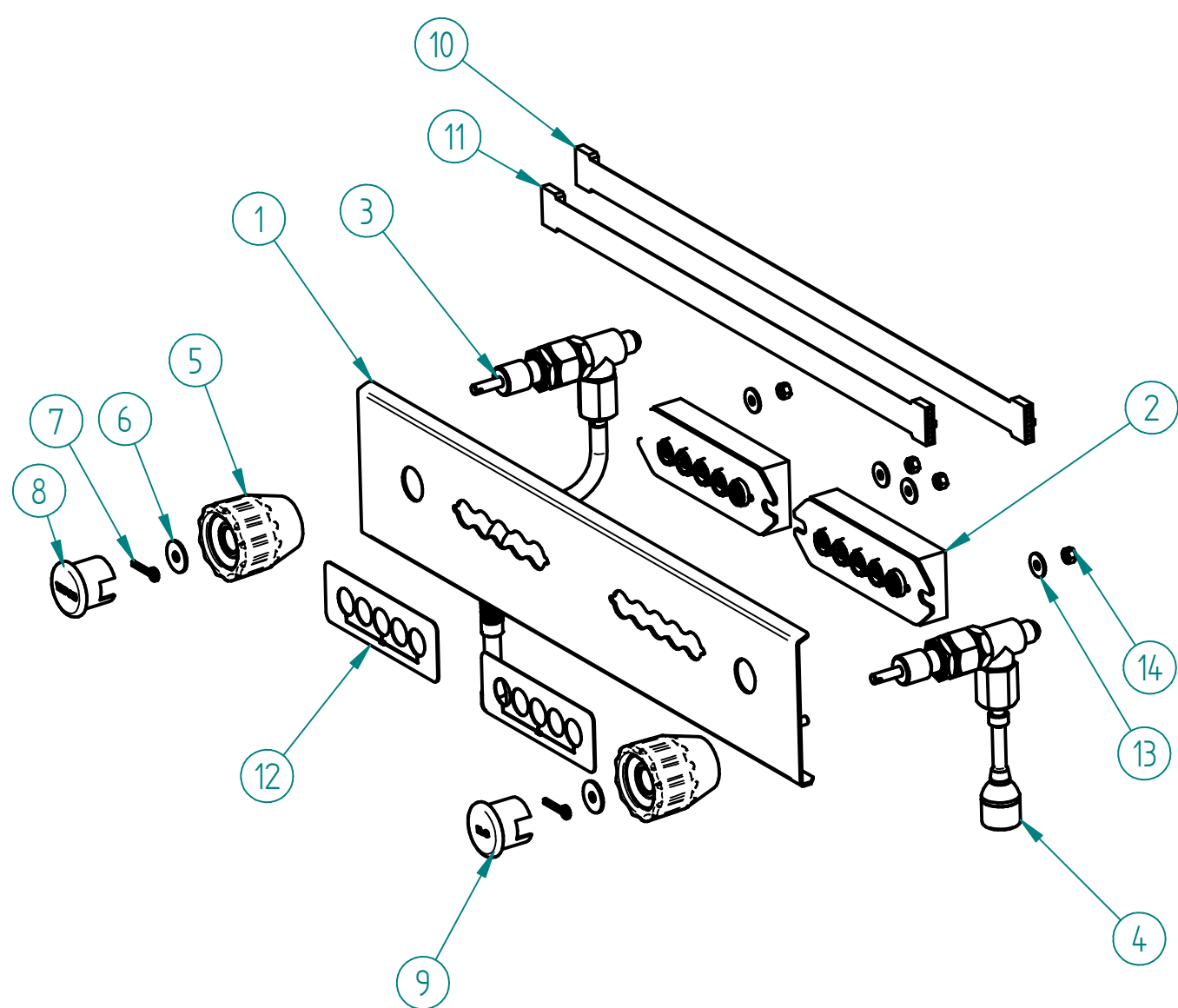
Os elementos deste desenho podem ser alterados sem aviso prévio.
This drawing may be altered without previous notice.

MÁQ. CAFÉ COMPACT/2EB

ESPRESSO COFFEE MACHINE COMPACT/2EB

3 - PAINEL COMANDO SUPERIOR CONJ. COMPACT/2EB

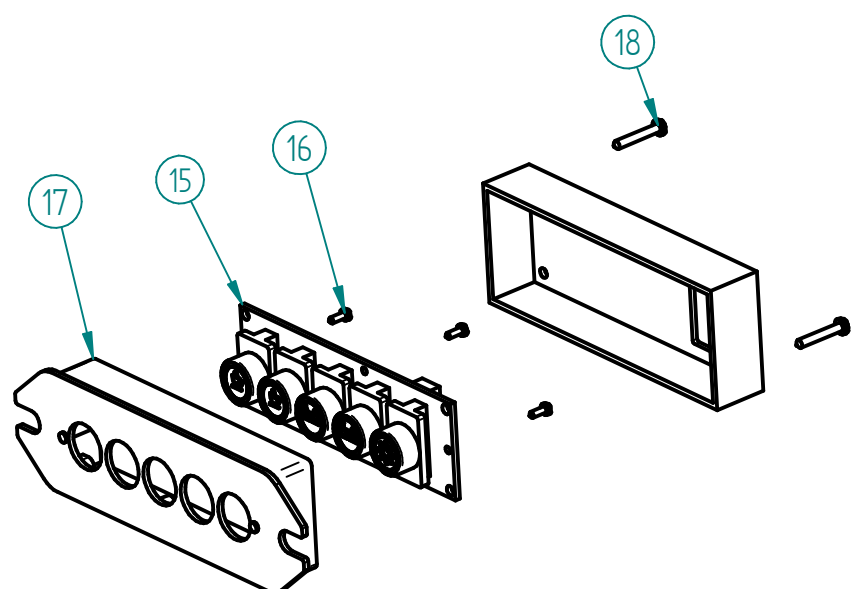
3 - UPPER COMMAND PANEL ASS. COMPACT/2EB



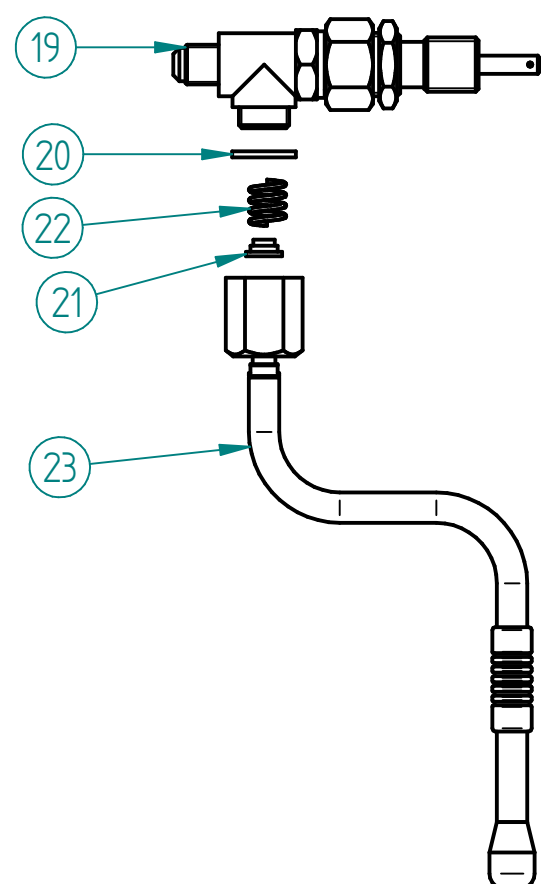
ITEM Nº	CÓDIGO	DESIGNAÇÃO	DESIGNATION	QUANT.
1	7.0.017.7221	PAINEL COMANDO SUP. PINT. BLACK CARAVEL 2 CV COMPACT -5T Ø16	UPPER CONTROL PANEL CARAVEL 2 CV COMPACT - 5T Ø16	1
2	7.0.033.0103	TECLADO 5T Ø16 FIAMMA CONJ.	Ø16 5T KEYBOARD FIAMMA ASS.	2
3	4.0.016.0020	TORNEIRA ECC-07 G1/4-G1/8F (CONJ. VAPOR)	STEAM TAP ASS. ECC-07	1
4	4.0.016.0021	TORNEIRA ECC-07 G1/4-G1/8F (CONJ. AGUA)	WATER TAP ASS. ECC-07	1
5	4.0.028.0023	MANIPULO TORNEIRA ECC-07 STAR	TAP HANDLE STAR	2
6	4.0.016.0026	ANILHA LATAO 1,3MM MAN. TORN. ECC-07	MS WASHER 1,3MM	2
7	4.0.016.0025	GOLPILHA INOX MAN. TORN. ECC-07	TAP ECC-07 LOCKER	2
8	4.0.016.0031	TAMPAO MAN. TORN. ECC-07 (VAPOR) CROM.	ECC-07 TAP HANDLE CROM. COVER (STEAM)	1
9	4.0.016.0032	TAMPAO MAN. TORN. ECC-07 (AGUA) CROM.	ECC-07 TAP HANDLE CROM. COVER (WATER)	1
10	4.0.000.0972	CABO UNIDADE ELECTR. TECLADO 16 PIN 850MM	CABLE FOR ELECTR. UNIT KEYBOARD 16 PIN 850MM	1
11	4.0.000.0971	CABO UNIDADE ELECTR. TECLADO 16 PIN 600MM	CABLE FOR ELECTR. UNIT KEYBOARD 16 PIN 600MM	1
12	4.0.016.7072	PAINEL PERS. CARAVEL 1 CV - 5T Ø16	CUSTOM. PANEL CARAVEL 1 CV - 5T Ø16	2
13	4.2.000.9164	ANILHA PLANA M5X15 ZINC. DIN9021	ZINC-PLATED M5X15 FLAT RING DIN9021	4
14	4.2.000.9172	PORCA M5 ZINC. DIN934	M5 NUT ZINC. DIN934	4

2 - 7.0.033.0103 - TECLADO 5T Ø16 FIAMMA CONJ.

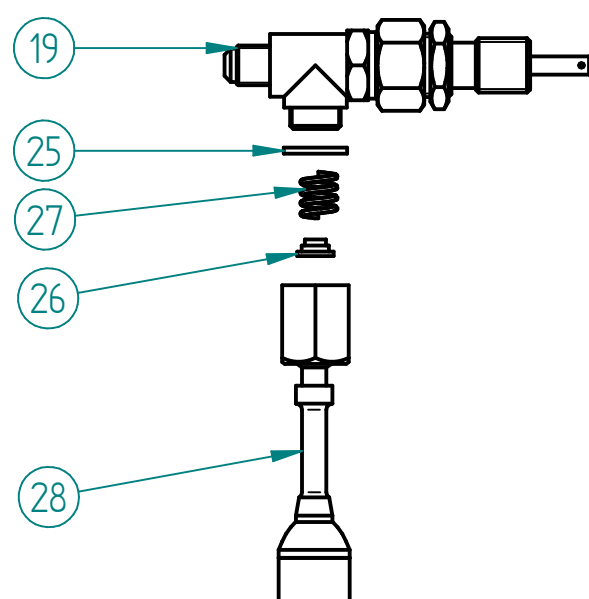
2 - PUSH-BUTTON PANEL 5BTS Ø16 FIAMMA ASSEMB.



ITEM Nº	CÓDIGO	DESIGNAÇÃO	DESIGNATION	QUANT.
15	4.0.000.0987	TECLADO 5T Ø16 FIAMMA	PUSH-BUTTON PANEL 5 BTS Ø16 FIAMMA	1
16	4.2.000.9682	PARAFUSO ROSCA CHAPA B2,2X6,5 ZINC. DIN7981	SHEET METAL SCREW B2,2X6,5 ZINC. DIN7981	3
17	4.0.007.0110	CAIXA 5 TECLAS REDONDAS	5 ROUND BUTTONS BOX	1
18	4.2.000.9684	PARAFUSO ROSCA CHAPA B2,9X19 ZINC. DIN7981	SHEET METAL SCREW B2,9X19 ZINC. DIN7981	2

MÁQ. CAFÉ COMPACT/2EB
ESPRESSO COFFEE MACHINE COMPACT/2EB
3 - 4.0.016.0020 - TORNEIRA ECC-07 G1/4-G1/8F (CONJ. VAPOR)
3 - STEAM TAP ASS. ECC-07


ITEM Nº	CODIGO	DESIGNAÇÃO	DESIGNATION	QUANT.
19	5.0.016.0350	TORNEIRA ECC-07 G1/4-G1/8F	TAP ECC-07	1
20	5.0.025.1386	JUNTA TEFLON 21X16,8X2	TEFLON GASKET	1
21	5.0.025.6508	GUIA MOLA TUBO AGUA/VAPOR TORN. EVOL.	GUIDE BUSH	1
22	5.0.025.7060	MOLA TUBO AGUA/VAPOR TORN. EVOL.	SPRING TAP	1
23	5.0.016.0320	TUBO TORNEIRA VAPOR ATLANTIC (CONJ.)	STEAM TAP TUBE ASS.	1

4 - 4.0.016.0021 - TORNEIRA ECC-07 G1/4-G1/8F (CONJ. AGUA)
4 - WATER TAP ASS. ECC-07


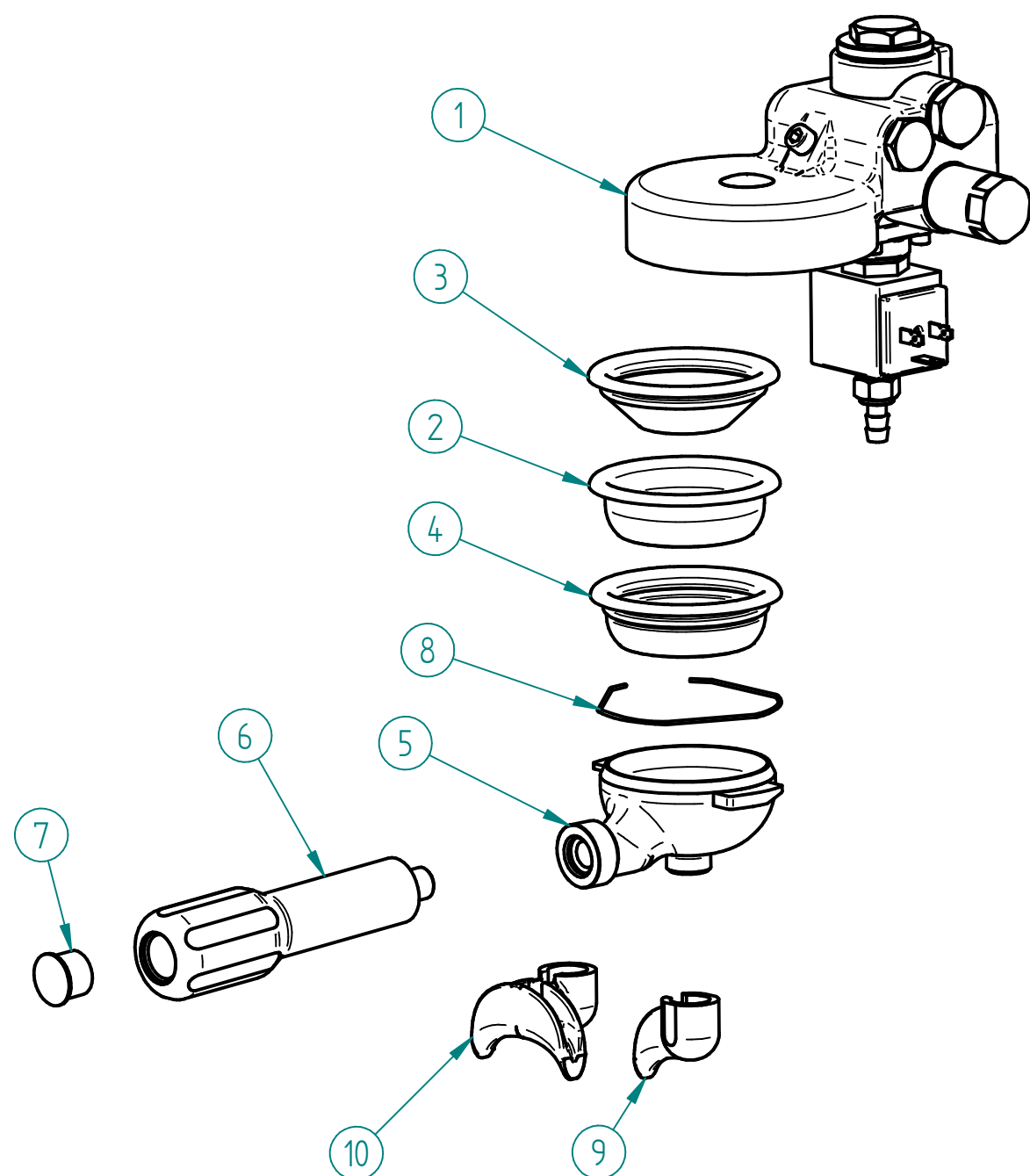
ITEM Nº	CODIGO	DESIGNAÇÃO	DESIGNATION	QUANT.
19	5.0.016.0350	TORNEIRA ECC-07 G1/4-G1/8F	TAP ECC-07	1
25	5.0.025.1386	JUNTA TEFLON 21X16,8X2	TEFLON GASKET	1
26	5.0.025.6508	GUIA MOLA TUBO AGUA/VAPOR TORN. EVOL.	GUIDE BUSH	1
27	5.0.025.7060	MOLA TUBO AGUA/VAPOR TORN. EVOL.	SPRING TAP	1
28	5.0.016.0330	TUBO TORNEIRA AGUA ATLANTIC (CONJ.)	WATER TAP TUBE ASS.	1

MÁQ. CAFÉ COMPACT/2EB

ESPRESSO COFFEE MACHINE COMPACT/2EB

5 - GRUPO ECC-07 C/ ACESSORIOS

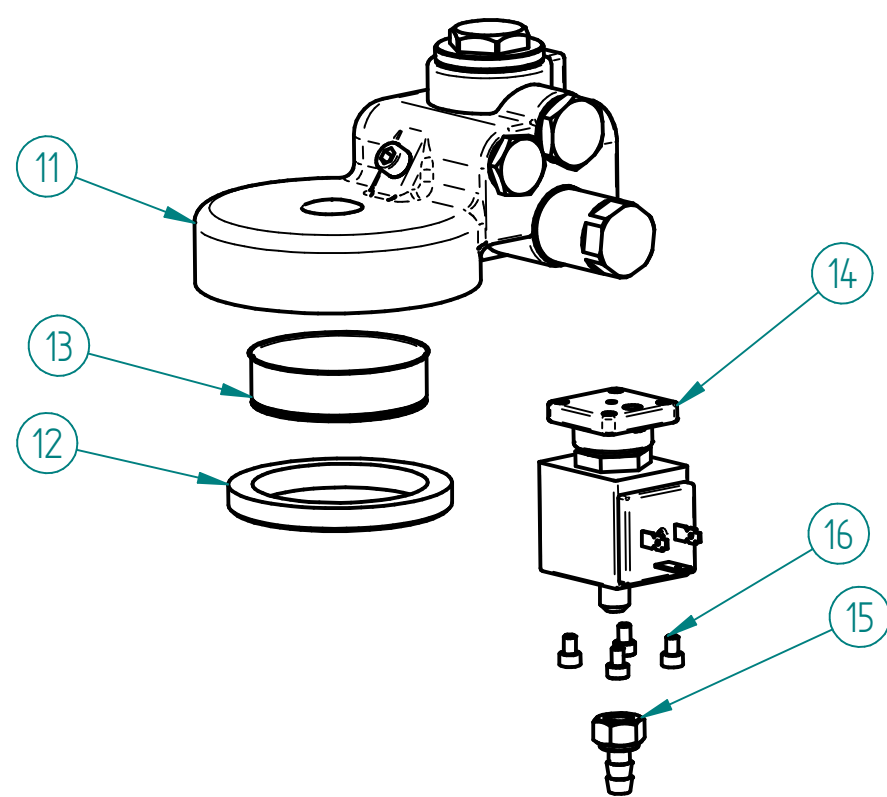
5 - ECC-07 GROUP W/ ACCESS.



1 - 7.0.016.0080 - GRUPO ECC-07 CONJ.
1 - GROUP ECC-07 ASS.

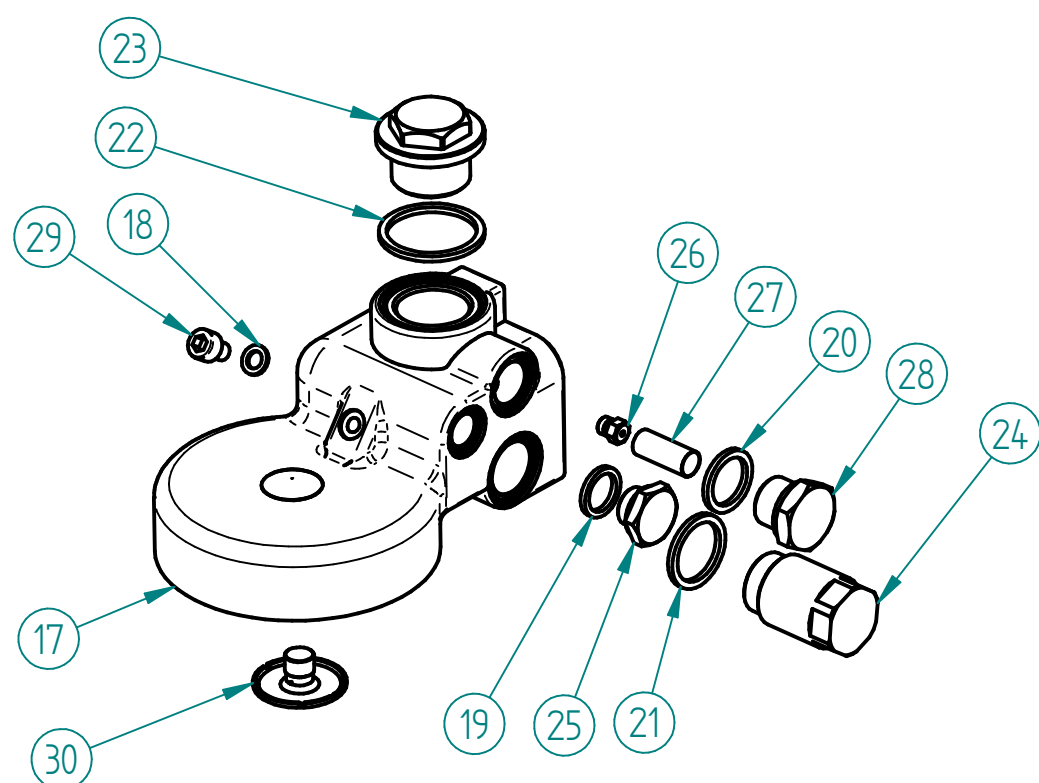
ITEM Nº	CÓDIGO	DESIGNAÇÃO	DESIGNATION	QUANT.
1	7.0.016.0080	GRUPO ECC-07 CONJ.	ECC-07 GROUP ASS.	1
2	5.0.000.0167	FILTRO CEGO	BLIND FILTER	1
3	5.0.000.0162	FILTRO 1 BICA 6GR NV	6GR 1 CUP FILTER	1
4	5.0.000.0173	FILTRO 2 BICAS 12 GR	2 COFFEES FILTER 12 GR	1
5	5.0.000.0657	PORTA FILTRO INCLIN. - FIX. 6 MM	FILTER HOLDER	1
6	5.0.000.0655	PUNHO PORTA FILTRO INCLIN.	HANDGRIP FOR FILTER HOLDER	1
7	5.0.000.0654	TAMPA PUNHO PORTA FILTRO INCLIN.	PLUG FOR HANDGRIP	1
8	5.0.000.0411	MOLA PORTA FILTRO 1,2MM	FILTER HOLDER SPRING	1
9	5.0.000.0104	DISTRIBUIDOR 1 BICA CURVO	1 COFFEE SPECIAL OUTLET	1
10	5.0.000.0106	DISTRIBUIDOR 2 BICAS	2 COFFEES OUTLET	1

CÓDIGO	DESIGNAÇÃO	DESIGNATION
5.0.000.0651	PORTA FILTRO M12 INCLIN. CONJ. - 1 BICA	1 COFFEE FILTER HOLDER ASS.
5.0.000.0652	PORTA FILTRO M12 INCLIN. CONJ. - 2 BICAS	2 COFFEE FILTER HOLDER ASS.
5.0.000.0668	PORTA FILTRO M12 INCLIN. CONJ. - CAPSULAS	CAPSULES FILTER HOLDER ASS.



11 - 4.0.016.0000 - GRUPO ECC-07
11 - GROUP ECC-07

ITEM Nº	CÓDIGO	DESIGNAÇÃO	DESIGNATION	QUANT.
11	4.0.016.0000	GRUPO ECC-07	GROUP ECC-07	1
12	5.0.025.0012	JUNTA PORTA FILTRO 58X74X8,5MM (GR B-61/ECC-07)	FILTER HOLDER GASKET	1
13	5.0.025.0010	CRIVO GRUPO B-61/ECC-07	GROUP B-61 SIEVE	1
14	5.0.000.0123	ELECTROVALVULA 3 VIAS 230V - GRUPO	230V 3 WAY ELECTROVALVE GROUP	1
15	4.0.000.0198	RACORD DESCARGA ELECTROVALVULA	ELECTROVALVE DRAINAGE RACCORD	1
16	4.2.000.9606	PARAF. UMBRACO M4X6 INOX DIN912	M4X6 INOX DIN912 UMBRACO SCREW	4



ITEM Nº	CODIGO	DESIGNAÇÃO	DESIGNATION	QUANT.
17	5.0.016.0100	CORPO GRUPO ECC-07	BODY OF THE GROUP ECC-07	1
18	5.0.025.0015	JUNTA TEFLON 10X6X1	TEFLON GASKET	1
19	5.0.000.0315	JUNTA TEFLON 18X13,5X2MM	TEFLON GASKET	1
20	5.0.025.0022	JUNTA TEFLON 22X17X2	TEFLON GASKET	1
21	5.0.016.0106	JUNTA TEFLON 26X 21X2	TEFLON GASKET	1
22	5.0.025.0002	JUNTA TEFLON 35X30X2	TEFLON GASKET	1
23	5.0.016.0102	TAMPAO SUPERIOR M26X1,5 CROM. GR ECC-07	UPPER CHROM. COVER M26X1,5 (GR ECC-07)	1
24	5.0.016.0105	INFUSOR GRUPO ECC-07	INFUSER OF GROUP ECC-07	1
25	5.0.016.0104	TAMPAO LATERAL G1/4 CROM. GR ECC-07	CHROM. SIDE COVER G1/4 (GR ECC-07)	1
26	5.0.016.0110	INJECTOR 0.7 M6X0,75 (GR ECC-07)	INJECTOR 0,7 M6X0,75 (GR ECC-07)	1
27	5.0.025.0023	FITRO INOX INJECTOR	GROUP GIGLEUR FILTER	1
28	5.0.025.0021	TAMPAO G3/8 CROM. (GR B-61/GR EC-07)	CHROM. COVER G3/8 (GR B-61/GR ECC-07)	1
29	5.0.025.0003	PARAFUSO UMBRACO M6X10 INOX (GR B-61/ECC-07)	FRONT INOX SCREW M6X10 OF THE GROUP B-61	1
30	5.0.025.0009	DISTRIBUIDOR GRUPO B-61/ECC-07	OUTLET GROUP B-61/ECC-07	1

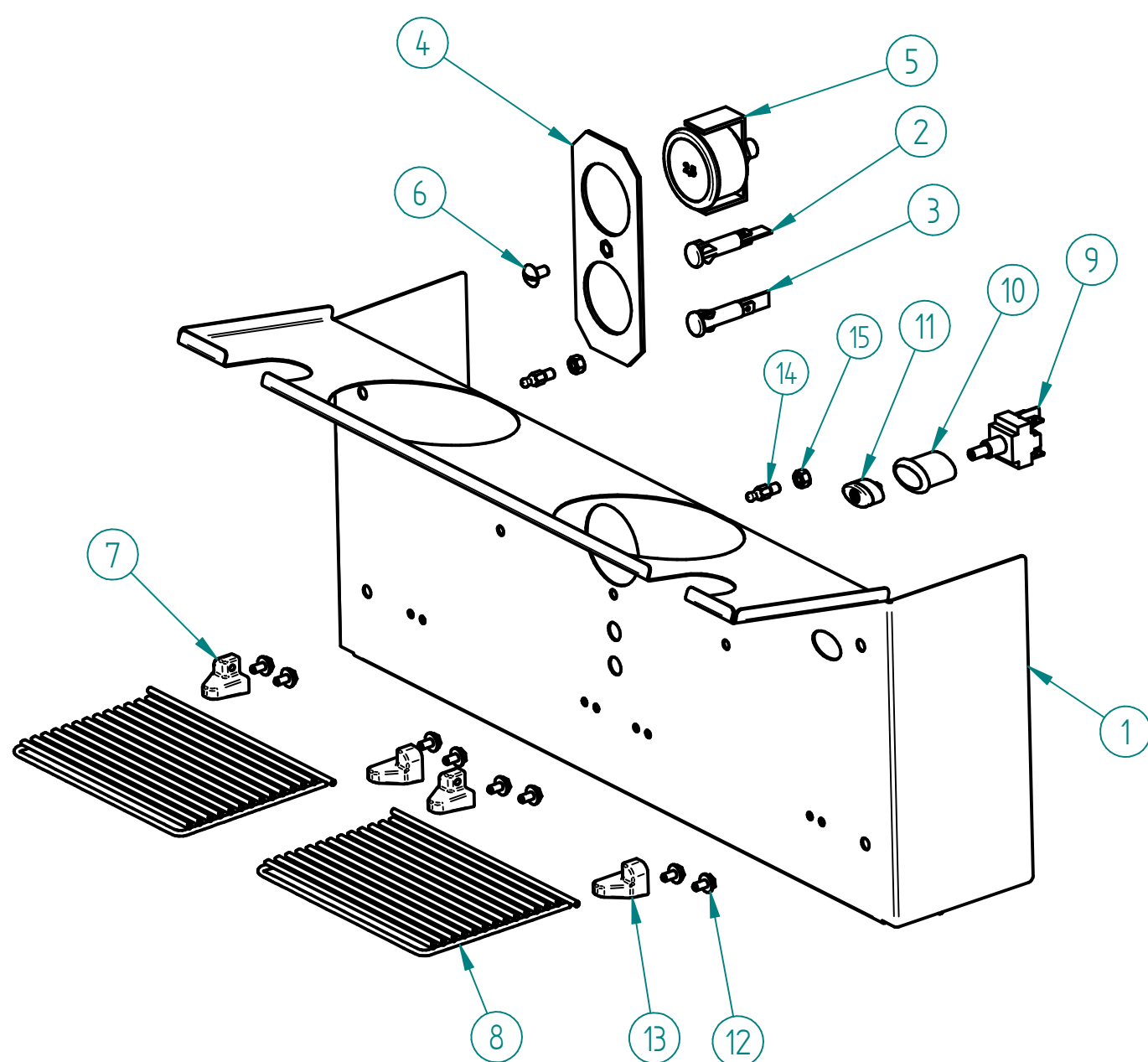
Os elementos deste desenho podem ser alterados sem aviso prévio.
This drawing may be altered without previous notice.

MÁQ. CAFÉ COMPACT/2EB

ESPRESSO COFFEE MACHINE COMPACT/2EB

14 - PAINEL FRONTAL CONJ. COMPACT/2EB

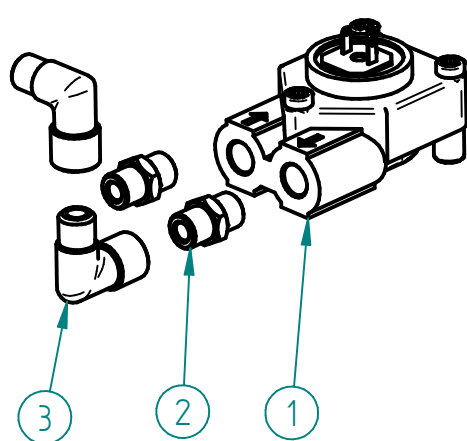
14 - FRONT PANEL COMPACT/2EB



ITEM Nº	CÓDIGO	DESIGNAÇÃO	DESIGNATION	QUANT.
1	7.0.017.7205	PAINEL FRONTAL GRELHA ARAME CARAVEL 2 COMPACT TC	FRONT PANEL CARAVEL 2 COMPACT TC	1
2	4.0.025.0130	SINALIZADOR VERDE Ø10MM TERM. MACHO	GREEN LED Ø10MM	1
3	4.0.025.0135	SINALIZADOR LARANJA Ø10MM TERM. MACHO	ORANGE LED Ø10MM	1
4	7.0.016.0204	SUPORTE MANÔMETROS ATLANTIC	ATLANTIC GAUGE SUPPORT	1
5	5.0.000.0395	MANOMETRO 0-2,5BAR NEUTRO	PRESSURE GAUGE 0-2,5BAR	1
6	4.2.000.9116	PARAFUSO CAB. OVAL LARGA M5X10 NIQ	SCREW M5X10	1
7	4.0.016.7018	SUPORTE ESQUERDO GRELHA CHAVENAS ARAME	WIRE CUP LEFT SUPPORT	2
8	4.0.016.7015	GRELHA CHAVENAS ARAME CARAVEL/COMPASS/QUADRANT	WIRE COFFEE TRAY GRID	2
9	4.0.000.0513	INTERRUPTOR BIPOLAR E0070	TWO POLES SWITCH E0070	1
10	4.0.000.0503	CAIXA ELIPSE Ø16	BOX Ø16 ELIPSE	1
11	4.0.000.0526	TASTO ELIPSE Ø16 ON/OFF	SWITCH KEY Ø16 ON/OFF	1
12	4.2.000.9126	PARAFUSO ROSCA PLASTICO K40X8 ZINC.	SCREW K40X8	8
13	4.0.016.7017	SUPORTE DIREITO GRELHA CHAVENAS ARAME	WIRE CUP RIGHT SUPPORT	2
14	4.0.016.7020	FIXADOR GRELHA CHAVENAS ARAME	FIXER PIN	2
15	4.2.000.9172	PORCA M5 ZINC. DIN934	M5 NUT ZINC. DIN934	2

20 - CONTADOR VOLUMETRICO CONJ. MÁQ. CAFÉ 1GR / 2GR COMPACT

20 - ASS. VOLUMETRIC DOSER COFFEE MACHINES 1GR / 2GR COMPACT



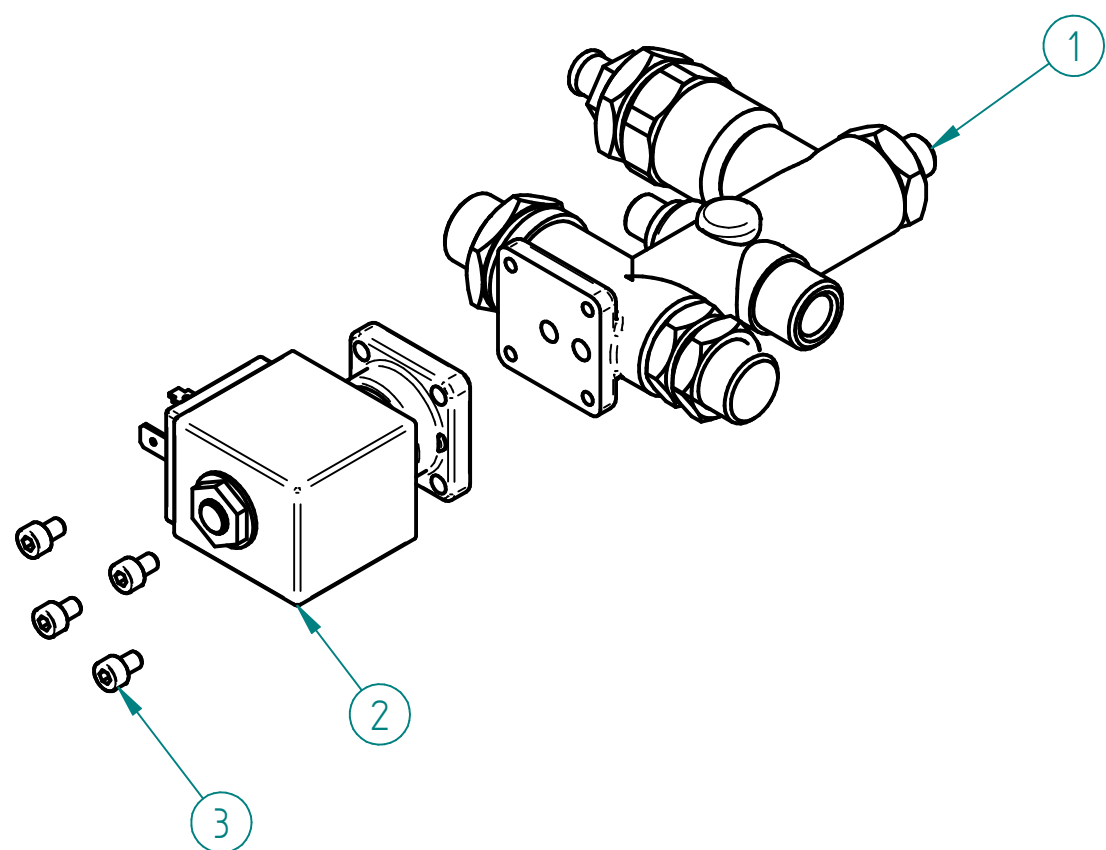
ITEM Nº	CÓDIGO	DESIGNAÇÃO	DESIGNATION	QUANT.
1	5.0.000.1012	CONTADOR VOLUMETRICO Ø1,15-G1/8 C/ LED	VOLUMETRIC DOSER Ø1,15-G1/8 W/ LED	1
2	5.0.000.0725	RACORD G1/8-G1/8 NIQ.	RACORD G1/8-G1/8 NIQ.	2
3	5.0.000.0728	RACORD L G1/8-G1/8F	RACORD L G1/8-G1/8F	2

MÁQ. CAFÉ COMPACT/2EB

ESPRESSO COFFEE MACHINE COMPACT/2EB

21 - 7.0.016.0065 - BLOCO ENTRADA AGUA ECC-07 (AUT.) CONJ.

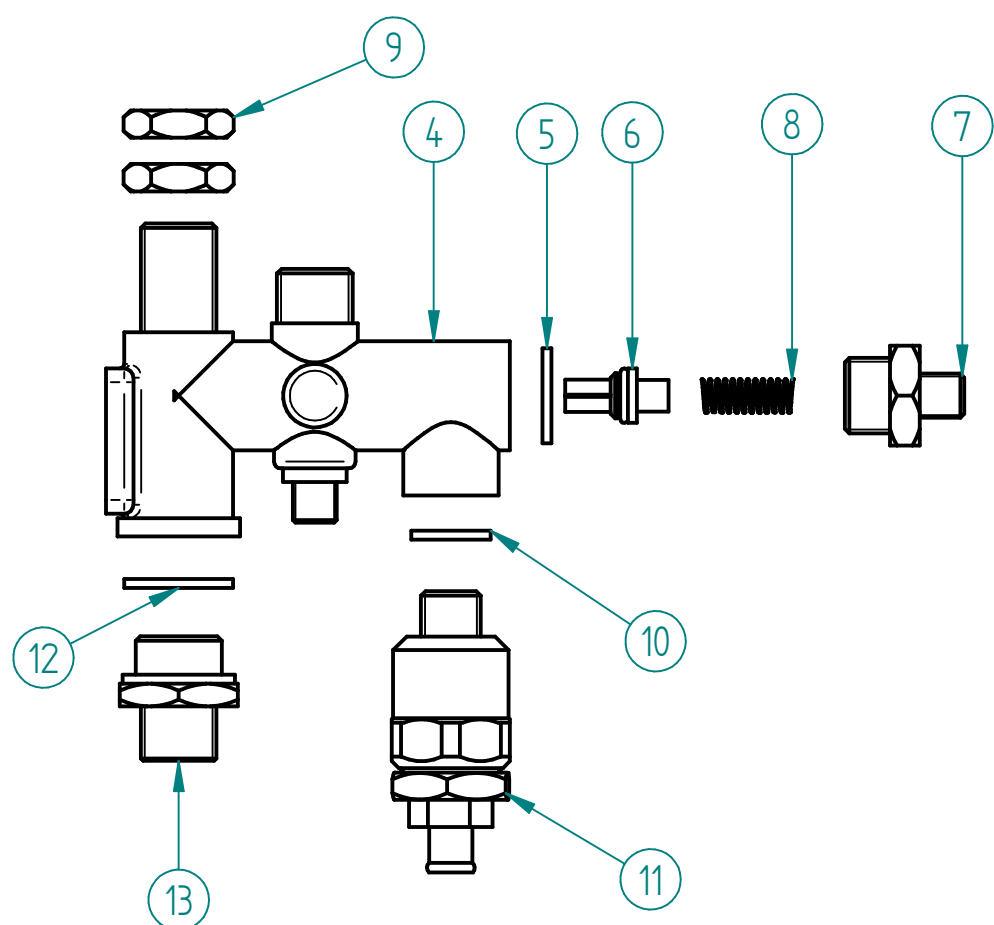
21 - WATER INLET ASS.



ITEM Nº	CÓDIGO	DESIGNAÇÃO	DESIGNATION	QUANT.
1	4.0.016.0010	BLOCO ENTRADA AGUA ECC-07 (AUT.)	WATER INLET ASS.	1
2	5.0.000.0124	ELECTROVAL. 2 VIAS 230V/50HZ-ENT. AGUA PARAL.	2 WAYS ELECTROVALVE	1
3	4.2.000.9606	PARAF. UMBRACO M4X6 INOX DIN912	M4X6 INOX DIN912 UMBRACO SCREW	4

1 - 4.0.016.0010 - BLOCO ENTRADA AGUA ECC-07 (AUT.)

1 - WATER INLET ASS.



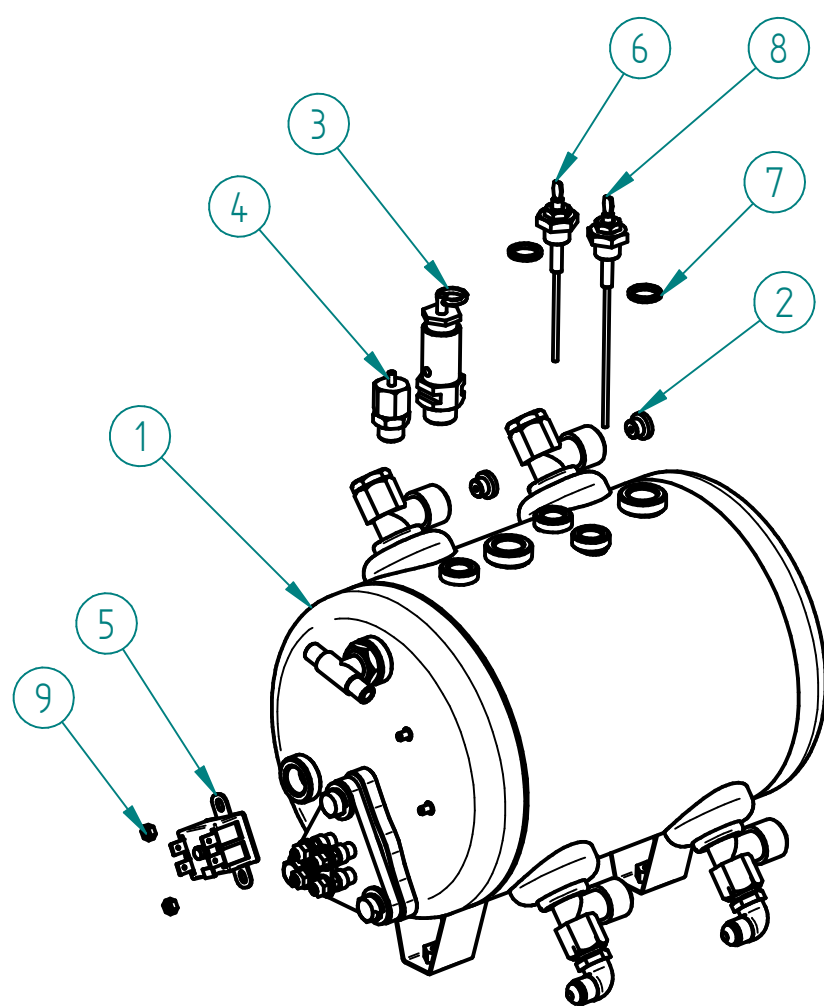
ITEM Nº	CODIGO	DESIGNAÇÃO	DESIGNATION	QUANT.
4	5.0.016.0200	CORPO BLOCO AUT. ECC-07	DISTRIBUTION GROUP BODY (AUT. ECC-07)	1
5	5.0.025.1386	JUNTA TEFLON 21X16,8X2	TEFLON GASKET	1
6	5.0.016.0231	VALVULA ANTI-RETORNO BLOCO ECC-07	ANTI-BACKFLOW VALVE	1
7	5.0.016.0235	RACORD G3-8 x G1-8 BLOCO ECC-07	RACORD G3/8XG1/8 (DISTRIB. GROUP ECC-07)	1
8	5.0.016.0234	MOLA VALVULA ANTI-RETORNO BLOCO ECC-07	ANTI-BACKFLOW VALVE SPRING	1
9	4.0.000.0045	PORCA G3/8 LATAO (SEXT. 21MM)	BRASS NUT G3/8 (21MM)	2
10	5.0.000.0315	JUNTA TEFLON 18X13,5X2MM	TEFLON GASKET	1
11	5.0.016.0220	VALVULA EXPANSAO BLOCO ECC-07	EXPANSION VALVE (DISTRIB. GROUP ECC-07)	1
12	5.0.016.0211	JUNTA TEFLON 24X19X2	TEFLON GASKET	1
13	5.0.016.0215	RACORD M20x1,5-G3/8 BLOCO ECC-07	RACORD M20X1,5-G3/8	1

MÁQ. CAFÉ COMPACT/2EB

ESPRESSO COFFEE MACHINE COMPACT/2EB

25 - CALDEIRA 6,5LT C/ ACESSORIOS

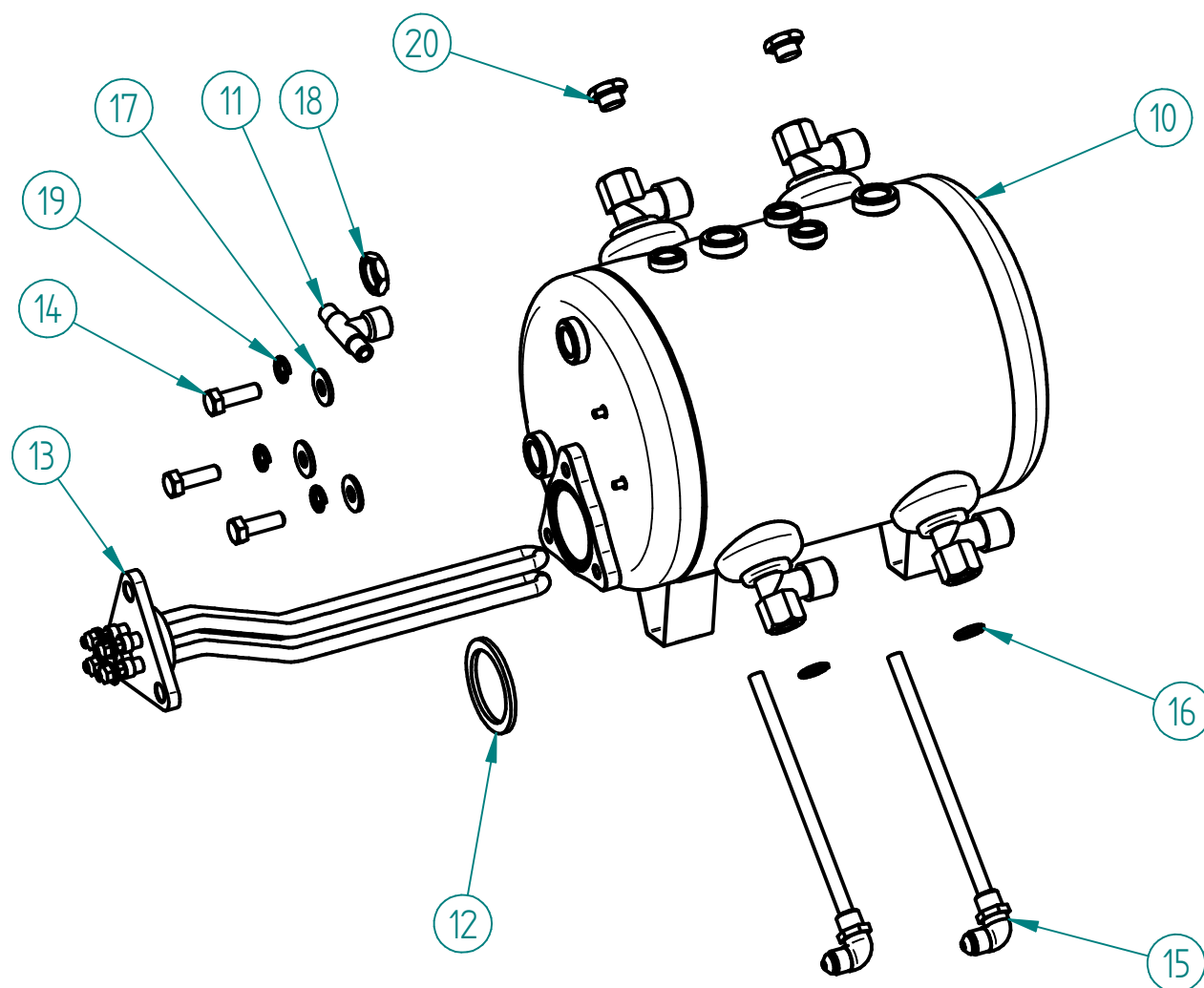
25 - 6,5LT BOILER W/ ACCESS



ITEM Nº	CÓDIGO	DESIGNAÇÃO	DESIGNATION	QUANT.
1	7.0.000.0521	CALDEIRA 2GR 6LT C/ ACESS	2 GROUP 6LT BOILER W/ ACCESS.	1
2	5.0.000.0748	REDUTOR CAUDAL 2,5MM	FLOW REDUCER 2,5MM	2
3	4.0.000.0051	VALVULA SEGURANÇA CALDEIRA	BOILER SECURITY VALVE	1
4	5.0.000.1002	VALVULA ANTI-VACUO	ANTI VACUUM VALVE	1
5	4.0.000.0250	TERMOSTATO SEGURANÇA 130°	SAFETY THERMOSTAT 130°	1
6	7.0.016.0070	SONDA Ø2,5X105MM CONJ.	Ø2,5X105MM PROBE ASS.	1
7	5.0.000.0315	JUNTA TEFLON 18X13,5X2MM	TEFLON GASKET	2
8	7.0.025.0002	SONDA Ø2,5X135MM CONJ.	Ø2,5X135MM PROBE ASS.	1
9	4.2.000.9184	PORCA M4 LATAO DIN934	BRASS M4 NUT DIN934	2

1 - 7.0.000.0521 - CALDEIRA 2GR 6,5LT C/ ACESS.

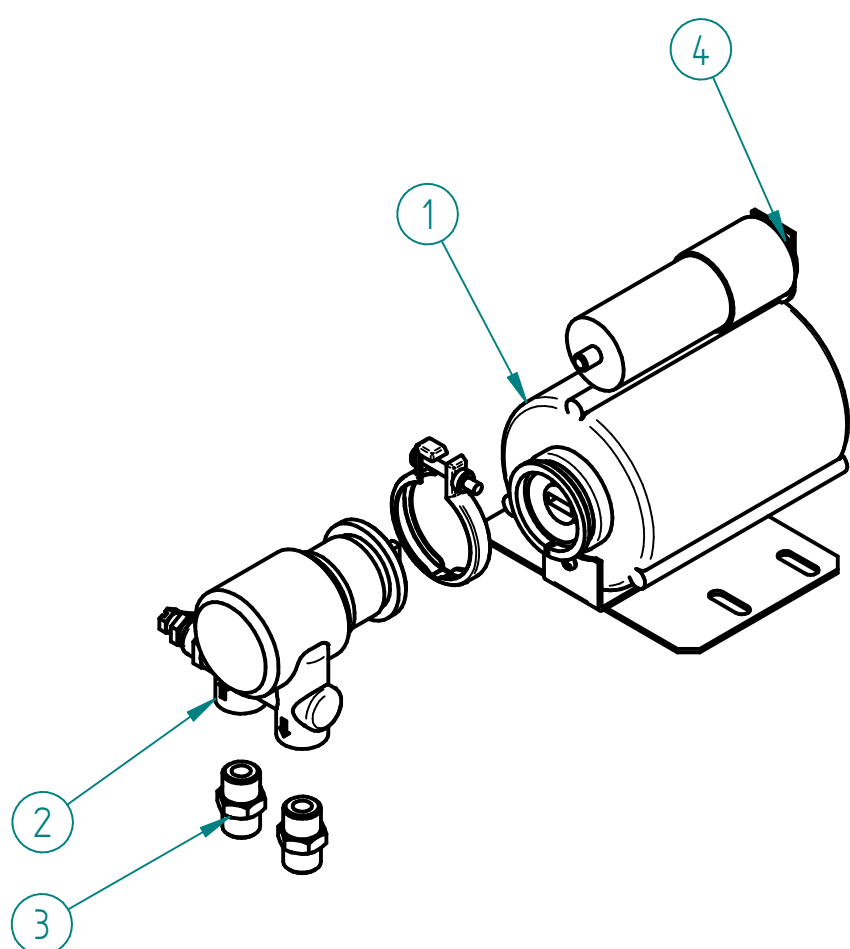
1 - 2 GROUP 6,5LT BOILER W/ ACCESS.



ITEM Nº	CÓDIGO	DESIGNAÇÃO	DESIGNATION	QUANT.
10	7.0.000.0543	CALDEIRA 2GR 6LT (RACORD SOLDADO)	2 GROUP 6LT BOILER	1
11	4.0.000.0071	RACORD DUPLO G3/8-2XG1/8	DOUBLE RACCORD	1
12	5.0.000.0307	JUNTA RESISTENCIA REDONDA	HEATING ELEMENT GASKET	1
13	4.0.000.0219	RESISTENCIA FLANGE TRIANG. 2500W	TRIANGULAR HEATING ELEMENT (2500 W)	1
14	4.2.000.9086	PARAFUSO CAB. SEXT. M8X25 ZINC. DIN933	SCREW M8X25	3
15	7.0.000.0120	RACORD INJECTOR C/ TUBO	INJECTION RACORD W/ TUBE	2
16	4.0.000.0013	ANILHA 13x17MM (G1/4) COBRE	GASKET G1/4 CU	2
17	7.2.000.0015	ANILHA PLANA 2X20X8,5 ZINC.	FLAT RING 2X20X8,5	3
18	4.0.000.0045	PORCA G3/8 LATAO (SEXT. 21MM)	BRASS NUT G3/8 (21MM)	1
19	4.2.000.9147	ANILHA MOLA M8 ZINC. DIN127B	M8 SPRING WASHER	3
20	4.0.000.0151	TAMPAO G1/4 LATAO	BRASS COVER G1/4	2

32 - 7.0.016.0062 - MOTOR BOMBA CONJ. RPM 150W

32 - PUMP MOTOR ASSEMB. RPM 150W.

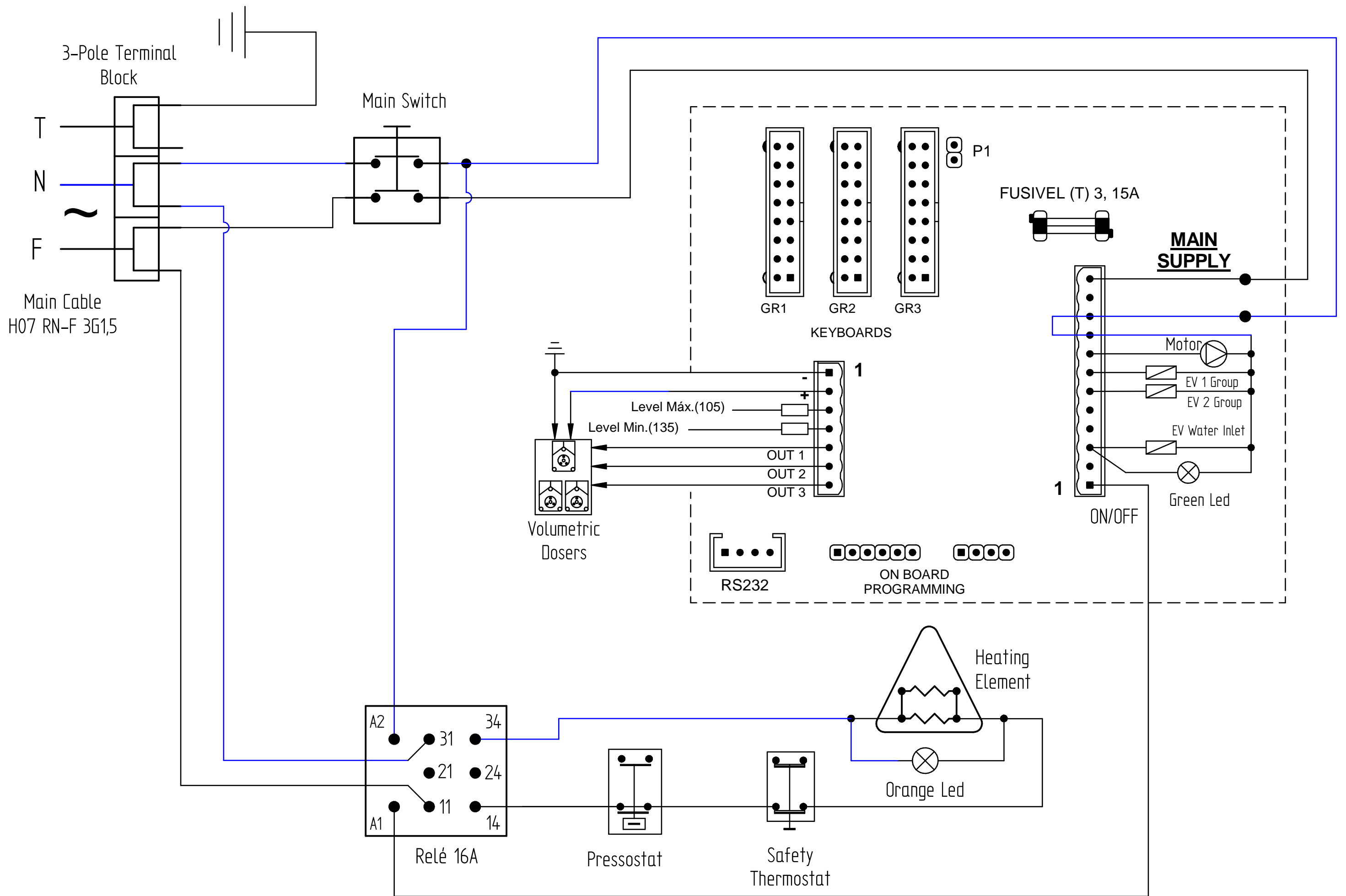


ITEM Nº	CÓDIGO	DESIGNAÇÃO	DESIGNATION	QUANT.
1	5.0.000.0466	MOTOR RPM 230V/50HZ 150W	MOTOR RPM 230V/50HZ 150W	1
2	5.0.000.0040	BOMBA AGUA	WATER PUMP	1
3	4.0.000.0115	RACORD G3/8-G3/8 (BOMBA)	PUMP'S METAL SLEEVE	2
4	5.0.000.0468	CONDENSADOR 10uF (Ø35 FIX. M8)	CAPACITOR 10uF (Ø35 FIX. M8)	1

MÁQ. CAFÉ COMPACT/2EB

ESPRESSO COFFEE MACHINE COMPACT/2EB

ESQUEMA ELECTRICO *Electric Scheme*



Os elementos deste desenho podem ser alterados sem aviso prévio.
This drawing may be altered without previous notice.