



MOD : C5FV6-PN

Production code : 6020152.3132 / FU60/90 CFGE

Jet engine compressor drawings

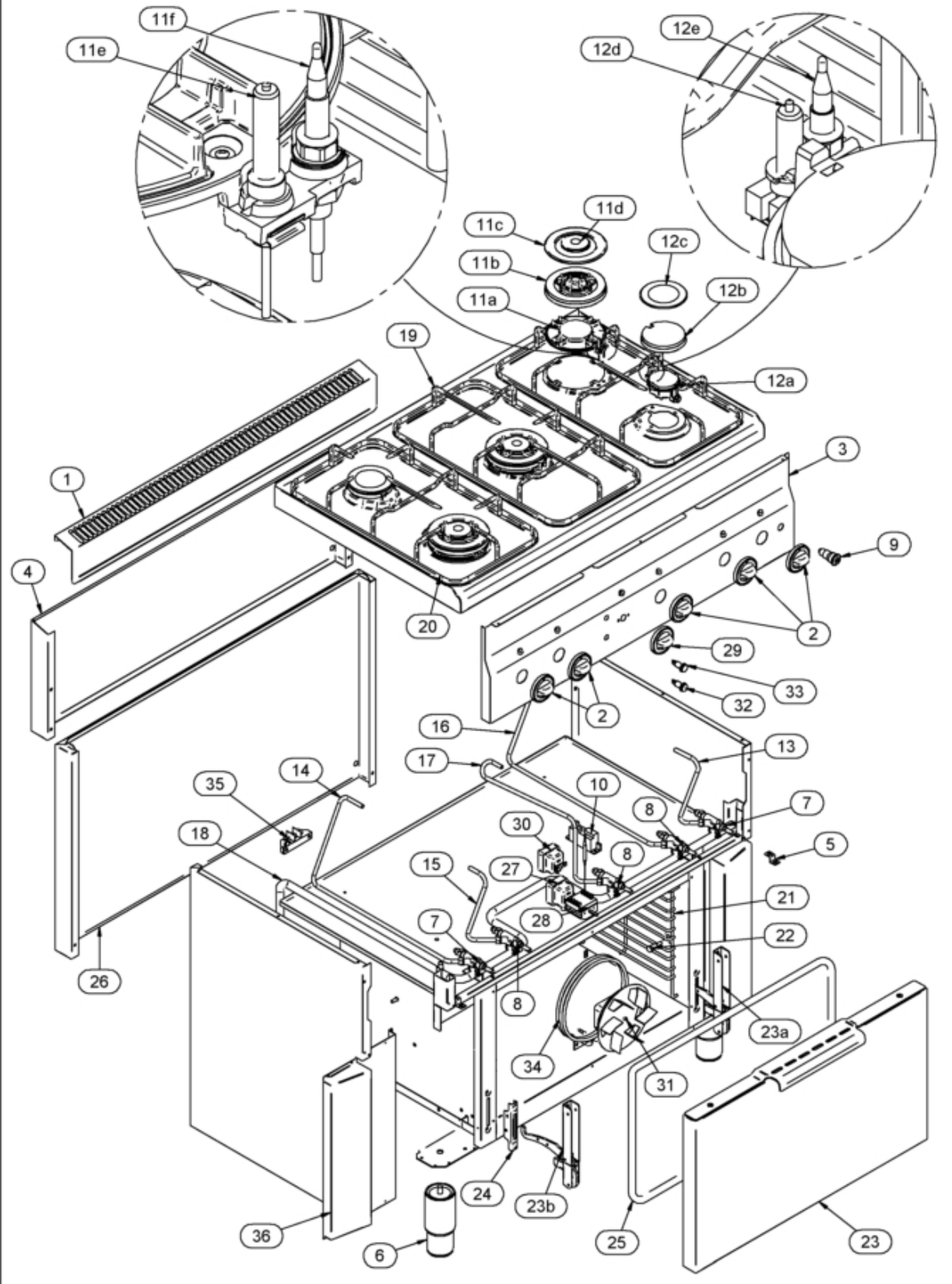
Creative
MARKET

10/2023

Modello/Type: **60/90 CFGE - CFGE/P**

cod./num. 2531328.00

data/date: 15/04/2013



VUE ÉCLATÉE

Pos.	Réf.	Description	De	À	
0001	6111259.00	ASS.ALZATINA 60/90 ASOLATA			
0002	612.078.00	ENS.MANETTE GRISE D62 GAZ			
0003	256.025.00	KIT CRUSCOTTO 60/90 CFGE + INDICI			
0004	6211254.00	SCHIENALE SUP. 60/90 CF			
0005	256.002.00	KIT STAFFA FISS.CRUSCOTTO + VITI			
0006	912.033.00	PIED D.2" AVEC VIS CENTRALE M10			
0007	671.076.00	ROBINET GAZ SABAF COD.615647810144			
0008	671.077.00	ROBINET GAZ SABAF COD.615647810165			
0009	663.041.00	PULSANTE ACCENSIONE F.00150/1			
0010	663.075.00	GENERATORE 6 VIE PIEZO			
0013	675.322.00	COLL.RUB.BRUC.RAP.ANT.60/60 PCG D.8			
0014	675.323.00	COLL.RUB.BRUC.RAP.POST.60/60PCG D.8			
0015	675.328.00	COLL.RUB.BRUC.TC ANT.60/60 PCG D.8			
0016	675.329.00	COLL.RUB.BRUC.TC POST.60/60 PCG D.8			
0017	256.011.00	KIT CONDUT. TC CENT. + DADI/BICONI			
0018	675.401.00	ASS.RAMPA 60/90 CFGE			
0019	683.091.00	GRID 1 FLAME S.6 H.58 ENAMELLED			
0020	683.063.00	2-RING GRILL S.6 ENAMELLED			
0021	683.015.00	PAN SUPPORT RAIL FOR ELECTRIC OVEN			
0022	641.013.00	FIXING PIN FOR GRIDS'SUPPORT			
0023	610.185.00	GRUPPO FITTIZIO PORTA FORNO 60/90			
0024	684.011.00	PORTE-ROULER			
0025	652.014.00	JOINT DE PORTE FOUR ELEC.GN1/11			
0026	6211258.00	SCHIENALE INF. 60/90 CF			
0027	661.027.00	OFEN-THERMOSTAT			
0028	661.000.00	COMMUTATEUR 15 A 49.41015.300			
0029	612.081.00	CONTROL KNOB D.62 EL. 50-180 GREY			
0030	661.045.00	SAFETY THERMOSTAT WITH SHEATH 350°			
0031	M569010100	MOTOR FAN FOR OVEN 220-240V 50/60HZ			
0032	663.044.00	ORANGE PILOT LIGHT			

VUE ÉCLATÉE

Pos.	Réf.	Description	De	À	
0033	663.043.00	GREEN PILOT LIGHT			
0034	665.093.00	HEATING ELEM. 230V-3000W			
0035	912.104.00	ASS. MORS.COMP.B.DIN 3 POLI 2,5 MMQ			
011a	672.106.00	BURNER BASE 3 CROWN 0940-31			
011b	672.107.00	CHAPEAU BRULEUR			
011c	672.108.00	LID EXT. 0744-31			
011d	672.109.00	CENTRAL LID. 0943.31			
011e	256.003.00	KIT BURN. SPARK PLUG 3 CROWN+SPRING			
011f	256.004.00	KIT THERMOC.L.750 JACK+DICE/OR			
012a	672.111.00	BURNERS PAIRS RAPIDO II 0803-3			
012b	672.112.00	CHAPEAU BRULEUR			
012c	672.113.00	BURNER LID RAPIDO II 0809-3			
012d	256.005.00	KIT CANDELA BRUC. RAPIDO + MOLLA			
012e	256.006.00	KIT THERMOC.L.600 JACK + NUT/OR			
023a	684.009.00	CHARNIÈRE DROIT			
023b	684.010.00	CHARNIÈRE GAUCHE			