

12/2019

# **Mod: AROMA/3EW**

**Production code: QUADRANT 3 DSP WHITE**

# MÁQUINA CAFÉ ESPRESSO

## ESPRESSO COFFEE MACHINE



**MÁQ. CAFÉ AROMA/3EB**  
**ESPRESSO COFFEE MACHINE AROMA/3EB**

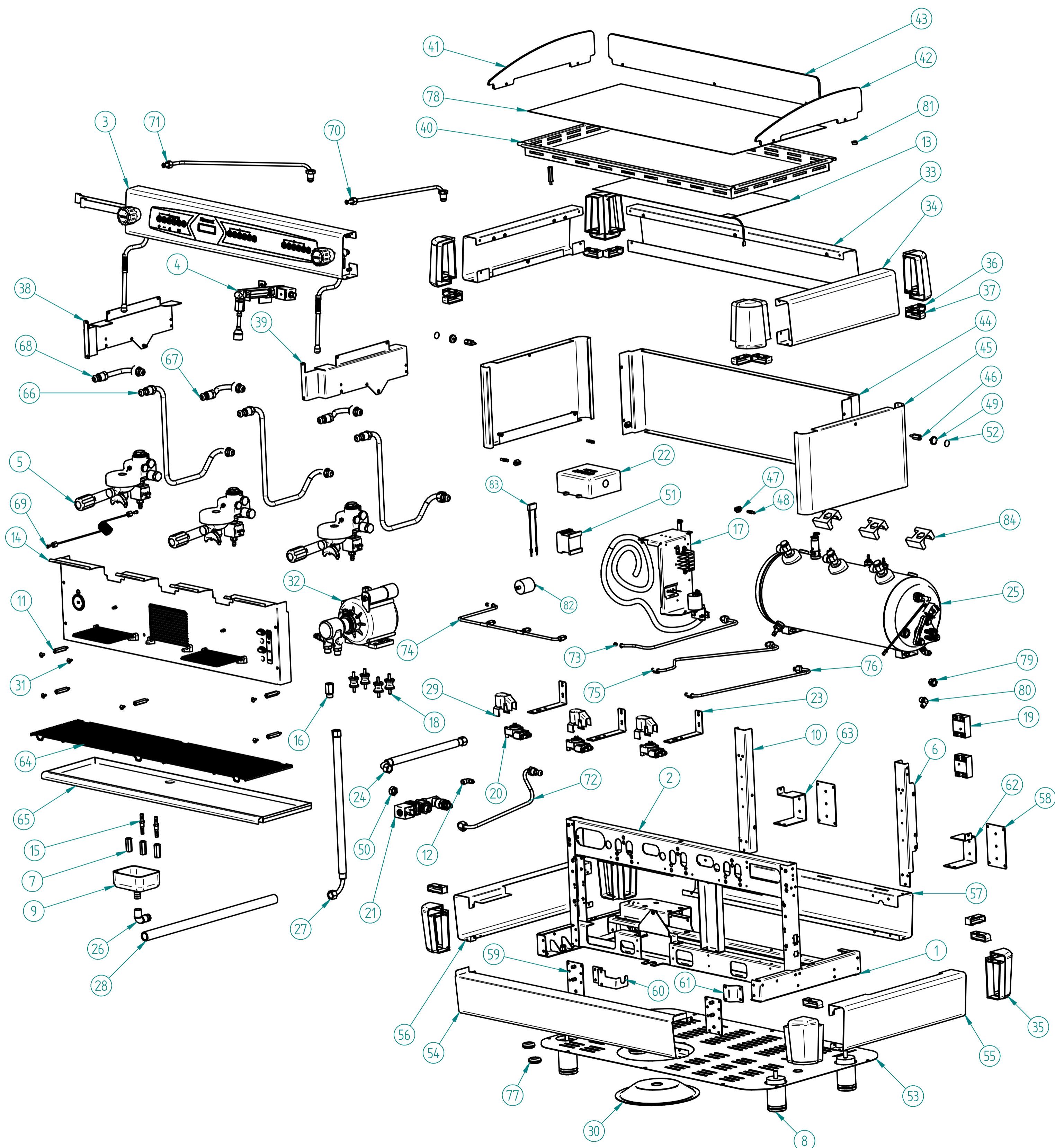


**MÁQ. CAFÉ AROMA/3EW**  
**ESPRESSO COFFEE MACHINE AROMA/3EW**

<b>POTÊNCIA</b> .....	<b>4600 W</b>
<b>POWER</b>	
<b>TENSÃO DE ALIMENTAÇÃO</b> .....	<b>~ 220-240V / 400V-2N - 50/60Hz</b>
<b>POWER SUPPLY</b>	
<b>GRUPOS</b> .....	<b>3</b>
<b>GROUPS</b>	
<b>CAPACIDADE DA CALDEIRA</b> .....	<b>17 L</b>
<b>BOLLER CAPACITY</b>	
<b>TORNEIRAS DE AGUA / VAPOR</b> .....	<b>1 / 2</b>
<b>WATER TAP / STEAM TAP</b>	
<b>PESO LIQUIDO</b> .....	<b>79 kg</b>
<b>NET WEIGHT</b>	
<b>PESO BRUTO</b> .....	<b>98 kg</b>
<b>GROSS WEIGHT</b>	
<b>DIMENSÕES (LxPxH)</b> .....	<b>960 x 600 x 595 mm</b>
<b>DIMENSIONS</b>	
<b>DIMENSÕES DA EMBALAGEM (LxPxH)</b> .....	<b>1080 x 710 x 750 mm</b>
<b>PACKAGE DIMENSIONS</b>	

## MÁQ. CAFÉ AROMA/3EB\_3EW

ESPRESSO COFFEE MACHINE AROMA/3EB\_3EW

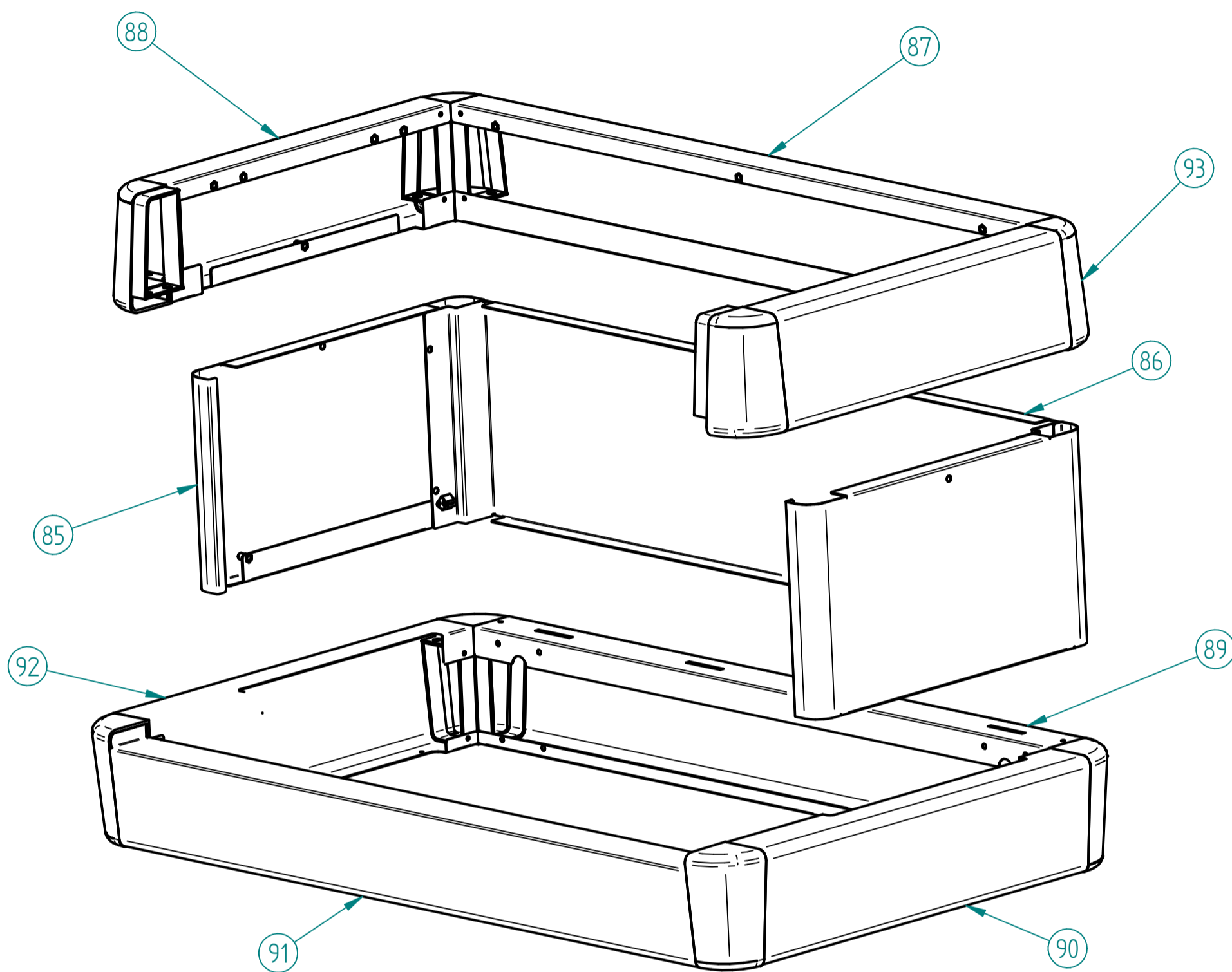


## MÁQ. CAFÉ AROMA/3EB

ESPRESSO COFFEE MACHINE AROMA/3EB

Os elementos deste desenho podem ser alterados sem aviso prévio.  
This drawing may be altered without previous notice.

**MÁQ. CAFÉ AROMA/3EB\_3EW**  
*ESPRESSO COFFEE MACHINE AROMA/3EB\_3EW*



**MÁQ. CAFÉ AROMA/3EW**  
*ESPRESSO COFFEE MACHINE AROMA/3EW*

**MÁQ. CAFÉ AROMA/3EB\_3EW**
**ESPRESSO COFFEE MACHINE AROMA/3EB\_3EW**
**LISTA DE COMPONENTES E ACESSÓRIOS**
**Spare parts list**

ITEM Nº	CÓDIGO	DESIGNAÇÃO	DESIGNATION	QUANT.
1	7.0.018.5511	CHASSI HORIZONTAL ATLANTIC 3 ECC	HORIZONTAL CHASSIS ATLANTIC 3 ECC	1
2	7.0.018.5512	CHASSI VERTICAL ATLANTIC 3 ECC	VERTICAL CHASSIS ATLANTIC 3 ECC	1
3	PRÉ-MONTAGEM	PM_PAINEL COMANDO SUPERIOR CONJ. AROMA/3E	UPPER COMMAND PANEL ASS. AROMA/3E	1
4	7.0.007.0105	TORNEIRA AGUA COMPASS	WATER TAP COMPASS	1
5		GRUPO ECC-07 C/ ACESSORIOS	ECC-07 GROUP W/ ACCESS.	3
6	7.0.033.0041	CANTO POSTERIOR DIR. QUADRANT	RIGHT REAR SUPPORT QUADRANT	1
7	4.0.000.0190	CAMPANULA DESCARGA GRUPO	OUTER RACORD OF THE DRAINAGE ASSEMBLY	3
8	4.0.000.0801	PE MAQ. DE CAFE 50X80	FEET FOR COFFE MACHINE 50X80	4
9	4.0.000.0840	DEPOSITO ESGOTO PLASTICO	DRAIN TRAY	1
10	7.0.033.0043	CANTO POSTERIOR ESQ. QUADRANT	LEFT REAR SUPPORT QUADRANT	1
11	4.0.028.0070	SEPARADOR BLINDAGEM ELECTROV. GRUPOS	SHIELD GROUP SEPARATOR	6
12	5.0.000.0728	RACORD L G1/8-G1/8F	RACORD L G1/8-G1/8F	1
13	5.0.000.0809	RESIST. ESCALDA CHAV. 530X230MM 75W 230V	HEATING ELEMENT FOR CUP HEATING	1
14	PRE-MONTAGEM	PM_PAINEL FRONTAL CONJ. AROMA/3E	FRONT PANEL AROMA/3E	1
15	4.0.000.0195	RACORD CAMPANULA DESCARGA GRUPO	INNER RACORD OF THE DRAINAGE ASSEMBLY	2
16	4.0.000.0040	PORTA FILTRO ENT. AGUA C/ FILTRO NIPLESS	FILTER HOLDER OF WATER INLET	1
17	7.0.034.0101	CABO H07RN-F 5G2,5 - 1,8MT CONJ. MAQ. CAFE 3GR	3GR COFFEE MACHINES CABLE H07RN-F 5G2,5 - 1,8MT	1
18	4.0.000.0032	APOIO MOTOR	MOTOR SUPPORT	4
19	4.0.000.0991	RELE ESTATICO 25A	25A SOLID STATE RELAY	2
20	PRE-MONTAGEM	CONTADOR VOLUMETRICO CONJ. MÁQ. CAFE 2GR / 3GR	ASS. VOLUMETRIC DOSER PRESTIGE, ATLANTIC 2/3CV ECC	3
21	7.0.016.0065	BLOCO ENTRADA AGUA ECC-07 (AUT.) CONJ.	WATER INLET ASS.	1
22	4.0.000.0954	UNIDADE ELECTRONICA DELUXE GICAR 230V	DELUXE ELECTRONIC UNIT	1
23	7.0.007.0207	SUPORTE CONTADOR VOL. COMPASS MB	VOLUMETRIC DOSER SUPPORT	3
24	5.0.000.0912	TUBO LIGAÇÃO BOMBA C/ CURVA 330MM	PUMP CONNECTION W/ ELBOW 330MM	1
25		CALDEIRA 17LT 4400W C/ ACESSORIOS	17LT BOILER W/ ACCESS.	1
26	4.0.000.0845	RACORD L DEPOSITO ESGOTO PLASTICO	ANGLE RACORD	1
27	4.0.000.0818	TUBO ALIMENTAÇÃO C/ CURVA 1500MM	WATER INLET PIPE 1500MM	1
28	4.0.000.0222	TUBO ESGOTO	DRAIN TUBE	1
29	5.0.000.1013	BLINDAGEM CONTADOR VOLUMETRICO	SHIELD VOLUMETRIC DOSER	3
30	4.0.007.0207	SAIDA BLINDAGEM FUNDO COMPASS TC	EXIT BOTTOM SHIELD COMPASS TC	1
31	4.2.000.9116	PARAFUSO CAB. OVAL LARGA M5X10 NIQ	SCREW M5X10	6
32	7.0.007.0125	MOTOR BOMBA CONJ. RPM	PUMP-MOTOR ASS. RPM	1
33	7.0.034.0138	PAINEL POSTERIOR SUP. QUADRANT 3 BLACK	UPPER REAR PANEL QUADRANT 3 BLACK	1
34	7.0.033.0134	PAINEL LATERAL SUP. QUADRANT BLACK	UPPER SIDE PANEL QUADRANT BLACK	2
35	4.0.007.0092	CANTO COMPASS BLACK	CORNER COMPASS BLACK	8
36	4.0.007.0005	POSTIÇO 2 CANTO COMPASS	CORNER INSERT 2 COMPASS	7
37	4.0.007.0004	POSTIÇO 1 CANTO COMPASS	CORNER INSERT 1 COMPASS	7
38	7.0.033.0033	SUPORTE PAINEL LAT. SUP. ESQ. QUADRANT	LEFT PANEL UPPER FASTENER	1
39	7.0.033.0031	SUPORTE PAINEL LAT. SUP. DIR. QUADRANT	RIGHT PANEL UPPER FASTENER	1
40	7.0.034.0025	TABULEIRO SUPERIOR QUADRANT 3	UPPER TRAY QUADRANT 3	1
41	4.0.033.0001	ACRILICO LATERAL ESQ. QUADRANT	ACRYLIC LEFT SIDE QUADRANT	1
42	4.0.033.0003	ACRILICO LATERAL DIR. QUADRANT	ACRYLIC RIGHT SIDE QUADRANT	1
43	4.0.034.0006	ACRILICO POSTERIOR QUADRANT 3	REAR ACRYLIC QUADRANT 3	1
44	7.0.034.0073	PAINEL POSTERIOR QUADRANT 3 TC BLACK	REAR PANEL QUADRANT 3 TC BLACK	1
45	7.0.033.0063	PAINEL LATERAL QUADRANT TC BLACK	SIDE PANEL QUADRANT TC BLACK	2
46	4.0.016.5052	SEPARADOR PAINEL LAT. ATLANTIC ECC	SIDE PANEL SEPARATOR ATLANTIC ECC	2
47	4.0.025.0085	MOLA FIXADORA PAINEL LAT.	FIXER SPRING	2
48	4.0.025.0090	PERNO FIXAÇÃO PAINEL LAT.	FIXER PIN	4
49	4.0.016.5054	PARAFUSO PAINEL LAT. ATLANTIC ECC	SCREW SIDE PANEL ATLANTIC ECC	2
50	4.0.016.0014	TAMPAO G3/8F LATAO	BRASS COVER G3/8F	1
51	4.0.091.0003	CONTACTOR 22A-AC1 BOBINE 230V	CONTACTOR 22A-AC1 230V	1
52	4.0.016.5057	AUTOCOLANTE PAINEL LAT. NEUTRO	SIDE PANEL STICKER	2
53	7.0.008.0292	BLINDAGEM FUNDO NV COMPASS 3 TC	BOTTOM SHIELD NV COMPASS 3 TC	1
54	7.0.008.0501	PAINEL FRONTAL INF. COMPASS 3 BLACK	LOWER FRONTAL PANEL COMPASS 3 BLACK	1
55	7.0.007.0506	PAINEL LATERAL INF. DIR. COMPASS BLACK	LOWER RIGHT SIDE PANEL COMPASS BLACK	1
56	7.0.007.0511	PAINEL LATERAL INF. ESQ. COMPASS BLACK	LOWER LEFT SIDE PANEL COMPASS BLACK	1
57	7.0.008.0516	PAINEL POSTERIOR INF. COMPASS 3 BLACK	LOWER REAR PANEL COMPASS 3 BLACK	1
58	7.0.007.0015	REFORÇO PAINEL POST. INF. COMPASS	REAR PANEL LOWER COMPASS	2
59	7.0.007.0010	REFORÇO PAINEL FRONTAL INF. COMPASS	FRONT PANEL LOWER SUPPORT	2
60	7.0.007.0012	FIXADOR PAINEL FRONTAL INF. / BLOCO COMPASS	FRONT PANEL LOWER FASTENER	1
61	7.0.007.0011	FIXADOR PAINEL FRONTAL INF. COMPASS	FRONT PANEL LOWER FASTENER	1
62	7.0.033.0035	FIXADOR PAINEL POST. INF. DIR. QUADRANT	RIGHT REAR PANEL LOWER FASTENER	1
63	7.0.033.0037	FIXADOR PAINEL POST. INF. ESQ. QUADRANT	LEFT REAR PANEL LOWER FASTENER	1
64	4.0.008.0150	GRELHA TABULEIRO INF. ARAME COMPASS 3	WIRE TRAY GRID COMPASS 3	1
65	7.0.008.0081	TABULEIRO INFERIOR COMPASS 3	LOWER TRAY COMPASS 3	1
66	5.0.000.0947	TUBO INFEROR CARTUCHO GRUPO 12mm	LOWER TUBE CARTRIDGE/GROUP 12MM	3
67	7.0.000.0054	TUBO SUP. CART. 1ºGR (DIR.) REVOL.	TUBE CARTRIDGE/GROUP	2
68	5.0.025.6483	TUBO SUP CART. 1ºGR (DIR) EVOL./2ºGR (ESQ/CENT) REVOL.	TUBE CARTRIDGE/GROUP	1
69	7.0.000.0022	TUBO CAPILAR 1,27X2,5X1000	CAPILLARY TUBE	1
70	7.0.000.0042	TUBO CALDEIRA TORN. VAPOR ESQ. ATLANTIC	TUBE BOILER/LEFT STEAM TAP	1
71	7.0.000.0070	TUBO CALDEIRA TORN. VAPOR ESQ. QUADRANT	TUBE BOILER/LEFT STEAM TAP QUADRANT	1
72	7.0.000.0065	TUBO BLOCO CALDEIRA	TUBE DISTRIB. GROUP/BOILER	1
73	7.0.000.0111	TUBO CONT. VOL. INJECTOR ESQ. (2GR/3GR)	TUBE VOL. DOSER/INJECTOR	1
74	7.0.000.0103	TUBO BLOCO CONT VOL. 3GR	TUBE DISTRIB. GROUP/VOL. DOSER 3GR	1
75	7.0.000.0112	TUBO CONT. VOL. INJECTOR DIR./ CENT. (2GR/3GR)	TUBE VOL. DOSER/INJECTOR	1
76	7.0.000.0113	TUBO CONT. VOL. INJECTOR DIR. (1GR/3GR)	TUBE VOL. DOSER/INJECTOR	1
77	4.0.000.0372	PASSA FIOS P/ FURO Ø25MM	WIRE PROTECTION	2
78	7.0.034.0081	GRELHA REDE 795X360	WIRE MESH GRID 795X360	1
79	4.0.000.0118	RACORD G3/8-G1/4F NIQ.	G3/8-G1/4F NICKEL RACORD	1
80	4.0.000.0109	RACORD L G1/4 TUBO TEFLON Ø6	Ø6 G1/4 TEFLON TUBE L RACORD	1
81	4.0.028.0075	TAPA FURDS Ø13,5MM	COVER Ø13,5MM	1
82	4.0.000.0997	FILTRO EMC MAQ. CAFE	EMC FILTER COFFEE MACHINE	1
83	4.0.000.0998	FILTRO RC MAQ. CAFE	COFFEE MACHINE RC FILTER	1
84	7.0.000.0540	MAGNETICO P/ CART. CIRCUITO GRUPO	MAGNETIC FOR GROUP CIRCUIT	3
85	7.0.033.0061	PAINEL LATERAL QUADRANT TC WHITE	SIDE PANEL QUADRANT TC WHITE	2
86	7.0.034.0071	PAINEL POSTERIOR QUADRANT 3 TC WHITE	REAR PANEL QUADRANT 3 TC WHITE	1
87	7.0.034.0137	PAINEL POSTERIOR SUP. QUADRANT 3 WHITE	UPPER REAR PANEL QUADRANT 3 WHITE	1
88	7.0.033.0133	PAINEL LATERAL SUP. QUADRANT WHITE	UPPER SIDE PANEL QUADRANT WHITE	2
89	7.0.008.0515	PAINEL POSTERIOR INF. COMPASS 3 WHITE	LOWER REAR PANEL COMPASS 3 WHITE	1
90	7.0.007.0505	PAINEL LATERAL INF. DIR. COMPASS WHITE	LOWER RIGHT SIDE PANEL COMPASS WHITE	1
91	7.0.008.0500	PAINEL FRONTAL INF. COMPASS 3 WHITE	LOWER FRONTAL PANEL COMPASS 3 WHITE	1
92	7.0.007.0510	PAINEL LATERAL INF. ESQ. COMPASS WHITE	LOWER LEFT SIDE PANEL COMPASS WHITE	1
93	4.0.007.0091	CANTO COMPASS WHITE	CORNER COMPASS WHITE	8

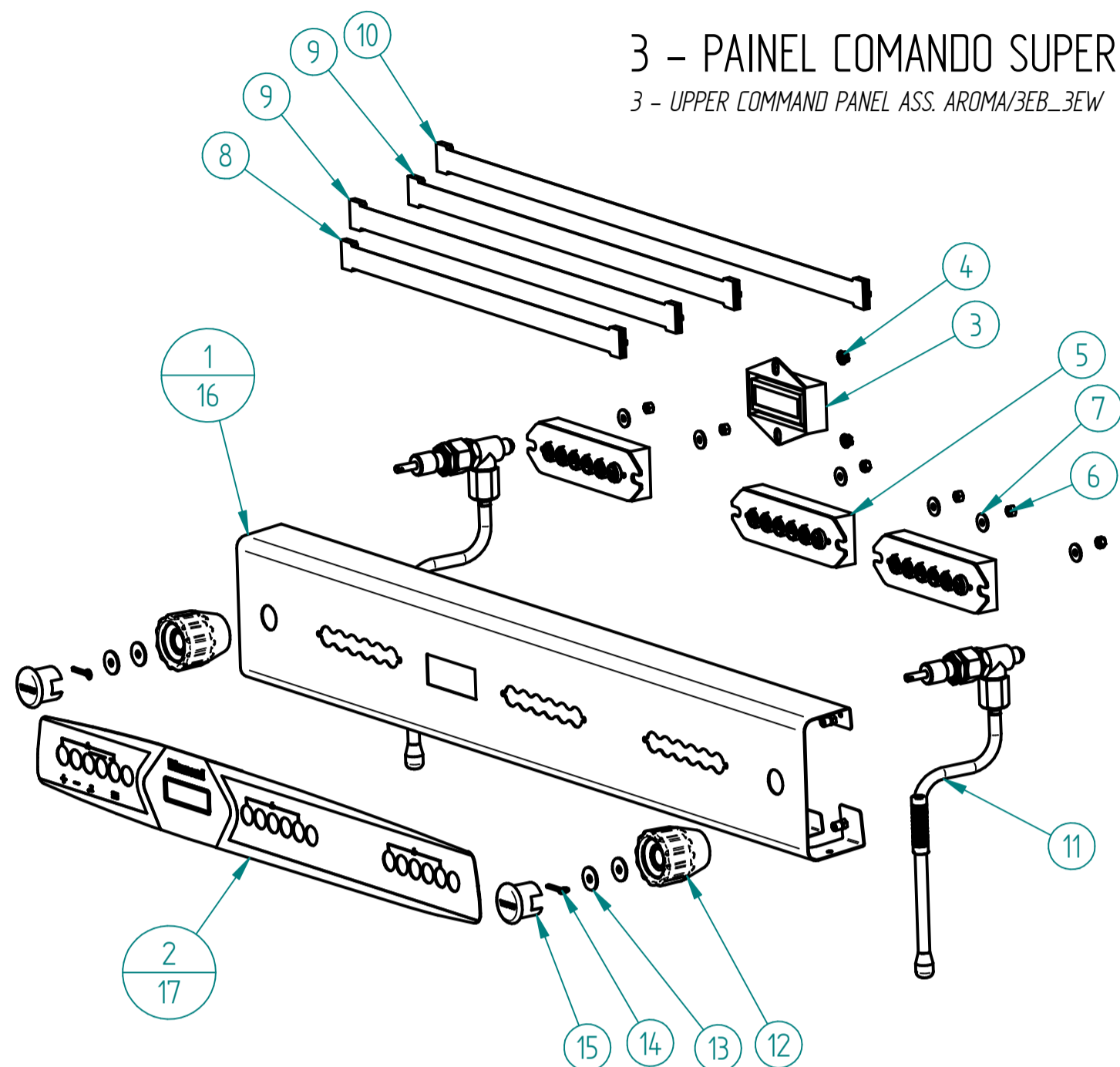
Os elementos deste desenho podem ser alterados sem aviso prévio.  
This drawing may be altered without previous notice.

# MÁQ. CAFÉ AROMA/3EB\_3EW

ESPRESSO COFFEE MACHINE AROMA/3EB\_3EW

## 3 - PAINEL COMANDO SUPERIOR CONJ. AROMA/3EB\_3EW

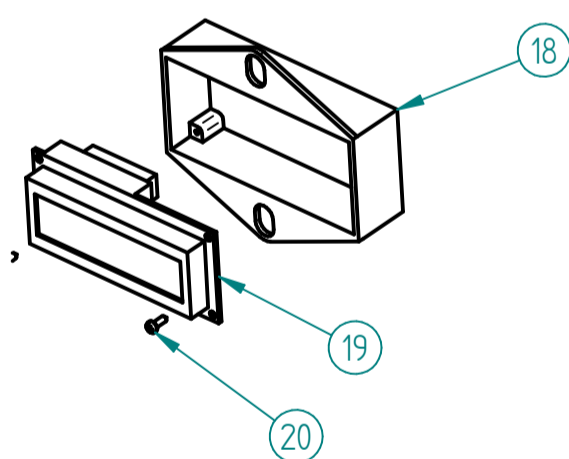
3 - UPPER COMMAND PANEL ASS. AROMA/3EB\_3EW



ITEM Nº	CÓDIGO	DESIGNAÇÃO	DESIGNATION	QUANT.
1	7.0.034.0129	PAINEL COMANDO SUP. QUADRANT 3 DSP WHITE	UPPER CONT. PANEL QUADRANT 3 DSP WHITE	1
2	4.0.034.0072	PAINEL PERSONALIZADO QUADRANT 3 DSP DIAMOND BLACK	PAINEL PERSONALIZADO QUADRANT 3 DSP DIAMOND BLACK	1
3	7.0.007.0115	DISPLAY LCD 16X2 AZUL CONJ.	BLUE LCD DISPLAY 16X2 ASSEMB.	1
4	4.2.000.9180	PORCA M5 ZINC. C/ RECART. DIN6923	M5 NUT ZINC. DIN6923	2
5	7.0.007.0109	TECLADO 6T Ø16 CONJ. COMPASS	Ø16 6T KEYBOARD ASS. COMPASS	3
6	4.2.000.9172	PORCA M5 ZINC. DIN934	M5 NUT ZINC. DIN934	6
7	4.2.000.9164	ANILHA PLANA M5X15 ZINC. DIN9021	ZINC-PLATED M5X15 FLAT RING DIN9021	6
8	4.0.000.0971	CABO UNIDADE ELECTR. TECLADO 16 PIN 600MM	CABLE FOR ELECTR. UNIT KEYBOARD 16 PIN 600MM	1
9	4.0.000.0972	CABO UNIDADE ELECTR. TECLADO 16 PIN 850MM	CABLE FOR ELECTR. UNIT KEYBOARD 16 PIN 850MM	2
10	4.0.000.0973	CABO UNIDADE ELECTR. TECLADO 16 PIN 1100MM	CABLE FOR ELECTR. UNIT KEYBOARD 16 PIN 1100MM	1
11	7.0.028.1169	TORNEIRA ECC-07 G1/4-G1/8F (CONJ. VAPOR) PACIFIC MB	PACIFIC MB (STEAM GROUP) ECC-07 G1/4-G1/8F TAP	2
12	4.0.028.0023	MANIPULO TORNEIRA ECC-07 STAR	TAP HANDLE STAR	2
13	4.0.016.0026	ANILHA LATAO 1,3MM MAN. TORN. ECC-07	MS WASHER 1,3MM	4
14	4.0.016.0025	GOLPILHA INOX MAN. TORN. ECC-07	TAP ECC-07 LOCKER	2
15	4.0.016.0031	TAMPAO MAN. TORN. ECC-07 (VAPOR) CROM.	ECC-07 TAP HANDLE CROM. COVER (STEAM)	2
16*	7.0.034.0130	PAINEL COMANDO SUP. QUADRANT 3 DSP BLACK	UPPER CONT. PANEL QUADRANT 3 DSP BLACK	1
17*	4.0.034.0074	PAINEL PERSONALIZADO QUADRANT 3 DSP DIAMOND CHROME	CUSTOM. PANEL QUADRANT 3 DSP DIAMOND CHROME	1

## 3 - 7.0.07.0115 - DISPLAY LCD 16X2 AZUL CONJ.

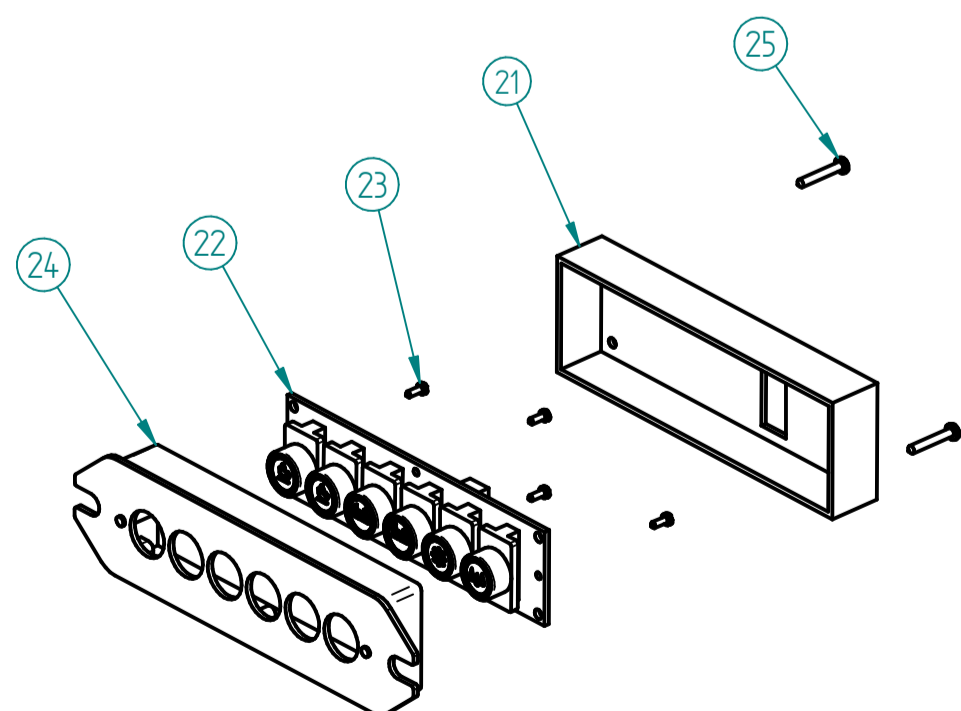
BLUE LCD DISPLAY 16X2 ASSEMB.



ITEM Nº	CÓDIGO	DESIGNAÇÃO	DESIGNATION	QUANT.
18	4.0.007.0115	CAIXA FIXAÇÃO DISPLAY 16X2	DISPLAY SUPPORT BOX 16X2	1
19	4.0.000.0958	DISPLAY LCD 16X2 AZUL	DISPLAY LCD 16X2 BLUE	1
20	4.2.000.9682	PARAFUSO ROSCA CHAPA B2,2X6,5 ZINC. DIN7981	SHEET METAL SCREW B2,2X6,5 ZINC. DIN7981	2

## 5 - 7.0.07.0109 - TECLADO 6T Ø16 CONJ. COMPASS

Ø16 6T KEYBOARD ASS. COMPASS



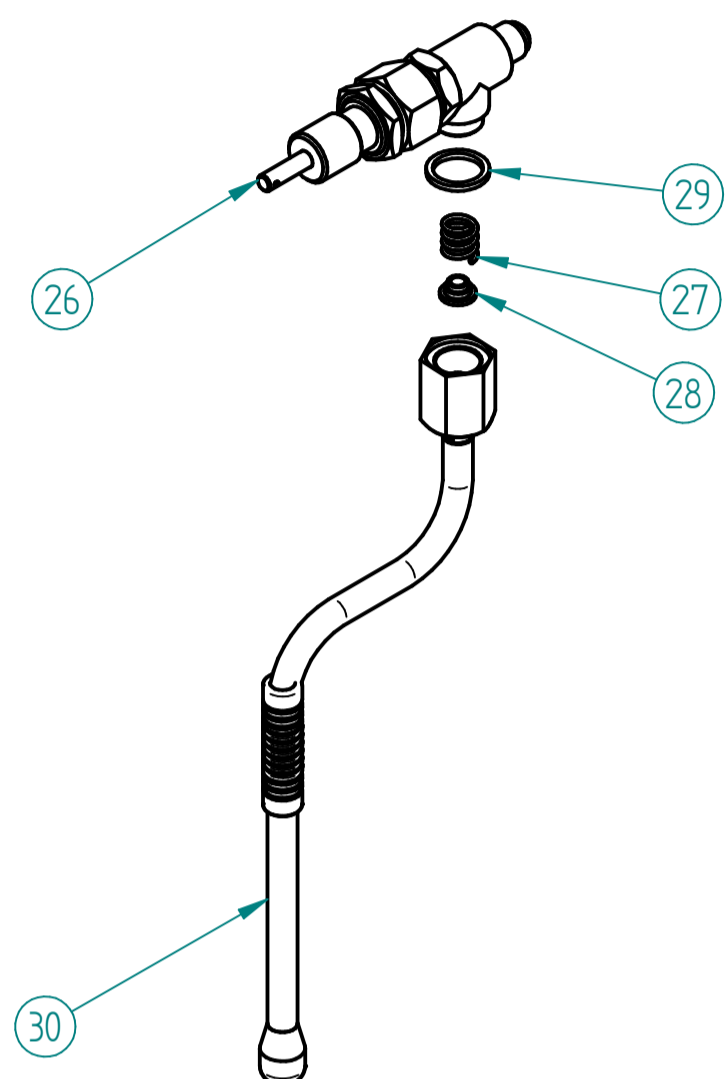
ITEM Nº	CÓDIGO	DESIGNAÇÃO	DESIGNATION	QUANT.
21	4.0.000.0988	BLINDAGEM TECLADO ILUMINADO 6T	PUSH-BUTTON PANEL 6 BTS Ø16 FIAMMA	1
22	4.0.000.0988	TECLADO ILUMINADO Ø16 6T FIAMMA	PUSH-BUTTON PANEL 6 BTS Ø16 FIAMMA	1
23	4.2.000.9682	PARAFUSO ROSCA CHAPA B2,2X6,5 ZINC. DIN7981	SHEET METAL SCREW B2,2X6,5 ZINC. DIN7981	4
24	4.0.007.0112	CAIXA 6 TECLAS REDONDAS	6 ROUND BUTTONS BOX	1
25	4.2.000.9684	PARAFUSO ROSCA CHAPA B2,9X19 ZINC. DIN7981	SHEET METAL SCREW B2,9X19 ZINC. DIN7981	2

Os elementos deste desenho podem ser alterados sem aviso prévio.  
This drawing may be altered without previous notice.

## MÁQ. CAFÉ AROMA/3EB\_3EW

**ESPRESSO COFFEE MACHINE AROMA/3EB\_3EW**

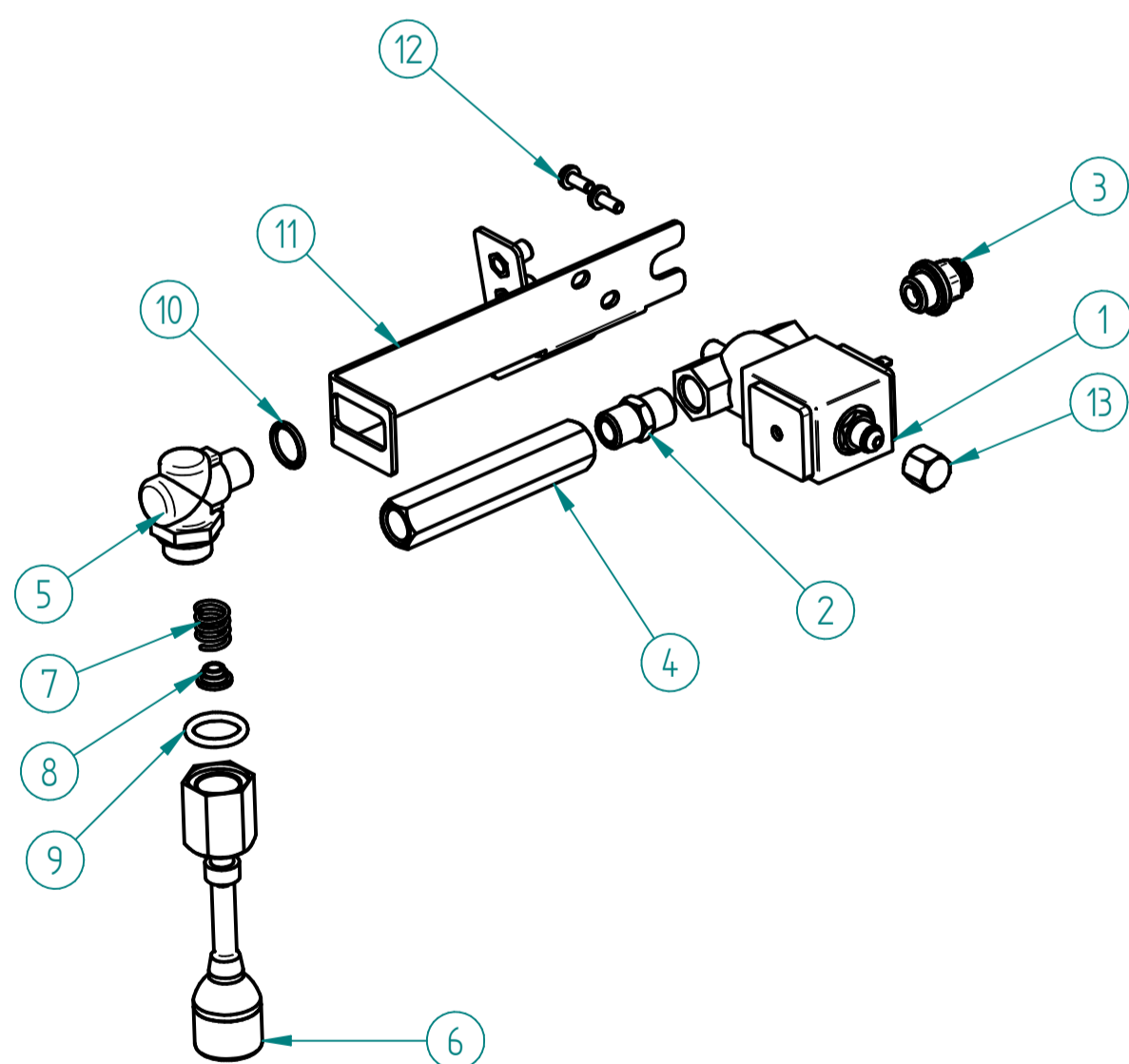
11 - 7.0.028.1169 -TORNEIRA ECC-07 G1/4-G1/8F (CONJ. VAPOR) PACIFIC MB  
 PACIFIC MB (STEAM GROUP) ECC-07 G1/4-G1/8F TAP



ITEM Nº	CÓDIGO	DESIGNAÇÃO	DESIGNATION	QUANT.
26	5.0.016.0350	TORNEIRA ECC-07 G1/4-G1/8F	TAP ECC-07	1
27	5.0.025.7060	MOLA TUBO AGUA/VAPOR TORN. EVOL.	SPRING TAP	1
28	5.0.025.6508	GUIA MOLA TUBO AGUA/VAPOR TORN. EVOL.	GUIDE BUSH	1
29	5.0.025.1386	JUNTA TEFLON 21X16,8X2	TEFLON GASKET	1
30	5.0.028.0320	TUBO TORNEIRA VAPOR PACIFIC (CONJ.)	PACIFIC STEAM TAP TUBE (GROUP)	1

## 4 - 7.0.007.0105 - TORNEIRA AGUA COMPASS

4 - WATER TAP COMPASS



ITEM Nº	CÓDIGO	DESIGNAÇÃO	DESIGNATION	QUANT.
1	5.0.000.0120	ELECTROVALVULA 3 VIAS 220-240V /50HZ-G1/4F-G1/4F-G1/8	220-240V 3 WAY ELECTROVALVE	1
2	4.0.000.0117	RACORD G1/4 - G1/4 NIQ.	G1/4-G1/4 NICKEL RACORD	1
3	4.0.000.0099	RACORD G1/4 TUBO Ø6	FITTING G1/4 - Ø6 PIPE	1
4	4.0.028.0018	RACORD SAIDA ELECT. 3 VIAS 230V MIST.	3 WAY 230V SOLENOID EXIT RACORD	1
5	4.0.028.0030	RACORD L G1/4-G3/8 - TUBO TORN. AGUA	KNEE G1/4-G3/8 - WATER TAP TUBE	1
6	5.0.016.0330	TUBO TORNEIRA AGUA ATLANTIC (CONJ.)	WATER TAP TUBE ASS.	1
7	5.0.025.7060	MOLA TUBO AGUA/VAPOR TORN. EVOL.	SPRING TAP	1
8	5.0.025.6508	GUIA MOLA TUBO AGUA/VAPOR TORN. EVOL.	GUIDE BUSH	1
9	4.0.000.0012	ANILHA 16x22MM (G3/8) COBRE	GASKET G3/8 CU	1
10	4.0.000.0013	ANILHA 13x17MM (G1/4) COBRE	GASKET G1/4 CU	1
11	7.0.007.0059	SUPORTE TORNEIRA AGUA COMPASS	SUPPORT WATER TAP COMPASS	1
12	4.2.000.9125	PARAFUSO CAB. PH M4X10 ZINC. C/ RECART.	M4X10 ZINC. PH HEAD SREW	2
13	4.0.000.0150	TAMPAO G1/8F LATAO	BRASS COVER G1/8F	1

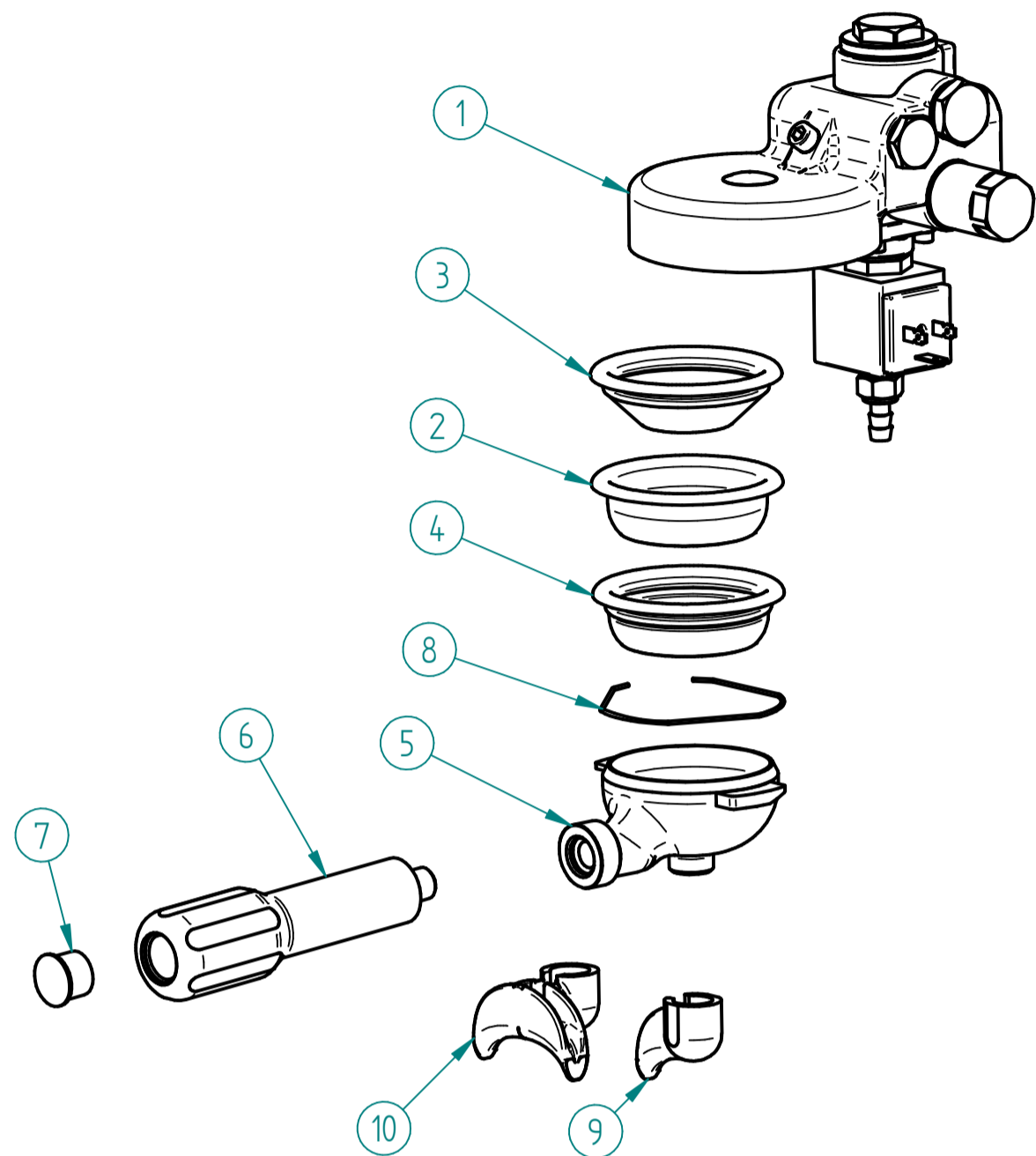
Os elementos deste desenho podem ser alterados sem aviso prévio.  
 This drawing may be altered without previous notice.

# MÁQ. CAFÉ AROMA/3EB\_3EW

ESPRESSO COFFEE MACHINE AROMA/3EB\_3EW

## 5 - GRUPO ECC-07 C/ ACESSORIOS

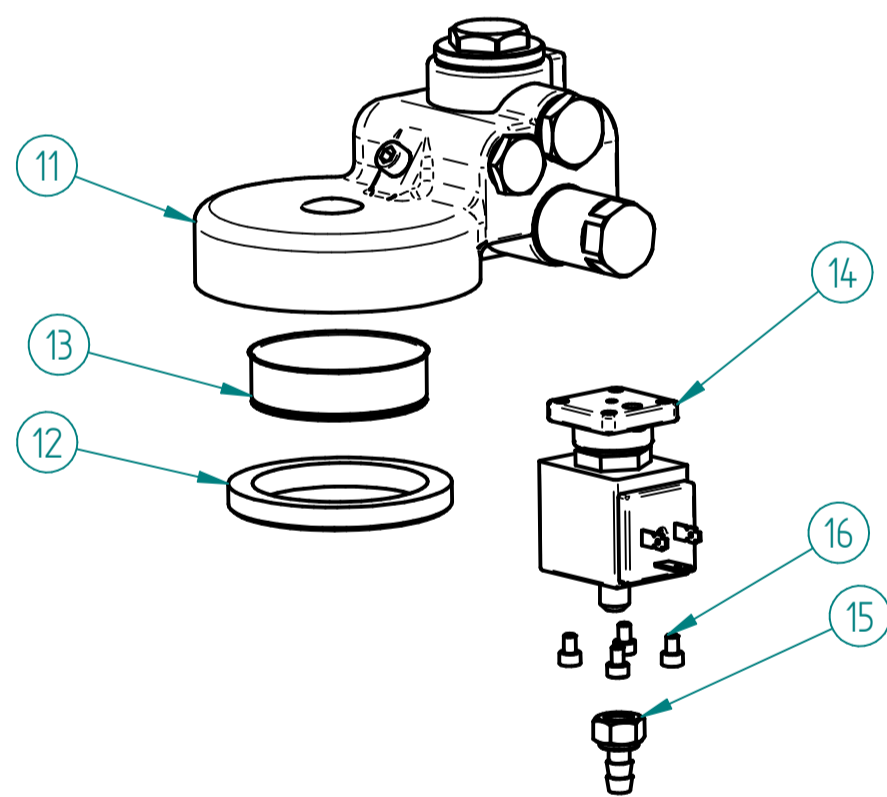
5 - ECC-07 GROUP W/ ACCESS.



1 - 7.0.016.0080 - GRUPO ECC-07 CONJ.  
1 - GROUP ECC-07 ASS.

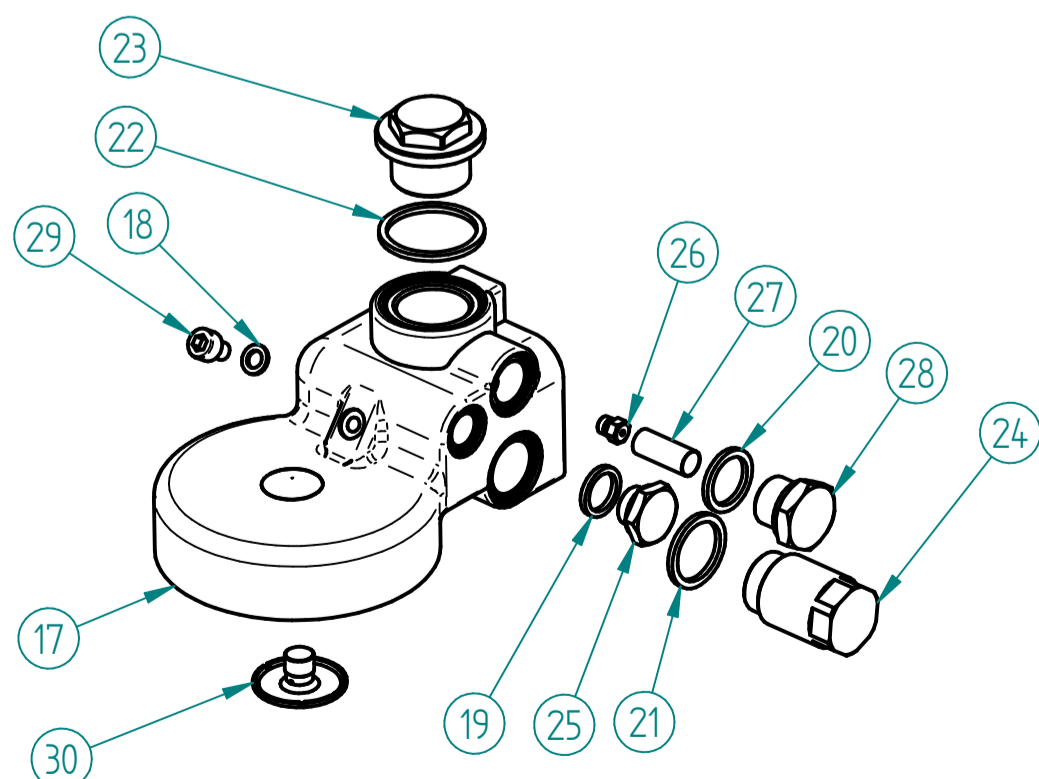
ITEM Nº	CÓDIGO	DESIGNAÇÃO	DESIGNATION	QUANT.
1	7.0.016.0080	GRUPO ECC-07 CONJ.	ECC-07 GROUP ASS.	1
2	5.0.000.0167	FILTRO CEGO	BLIND FILTER	1
3	5.0.000.0162	FILTRO 1 BICA 6GR NV	6GR 1 CUP FILTER	1
4	5.0.000.0173	FILTRO 2 BICAS 12 GR	2 COFFEES FILTER 12 GR	1
5	5.0.000.0657	PORTA FILTRO INCLIN. - FIX. 6 MM	FILTER HOLDER	1
6	5.0.000.0655	PUNHO PORTA FILTRO INCLIN.	HANDGRIP FOR FILTER HOLDER	1
7	5.0.000.0654	TAMPA PUNHO PORTA FILTRO INCLIN.	PLUG FOR HANDGRIP	1
8	5.0.000.0411	MOLA PORTA FILTRO 1,2MM	FILTER HOLDER SPRING	1
9	5.0.000.0104	DISTRIBUIDOR 1 BICA CURVO	1 COFFEE SPECIAL OUTLET	1
10	5.0.000.0106	DISTRIBUIDOR 2 BICAS	2 COFFEES OUTLET	1

CÓDIGO	DESIGNAÇÃO	DESIGNATION
5.0.000.0651	PORTA FILTRO M12 INCLIN. CONJ. - 1 BICA	1 COFFEE FILTER HOLDER ASS.
5.0.000.0652	PORTA FILTRO M12 INCLIN. CONJ. - 2 BICAS	2 COFFEE FILTER HOLDER ASS.
5.0.000.0668	PORTA FILTRO M12 INCLIN. CONJ. - CAPSULAS	CAPSULES FILTER HOLDER ASS.



11 - 4.0.016.0000 - GRUPO ECC-07  
11 - GROUP ECC-07

ITEM Nº	CÓDIGO	DESIGNAÇÃO	DESIGNATION	QUANT.
11	4.0.016.0000	GRUPO ECC-07	GROUP ECC-07	1
12	5.0.025.0012	JUNTA PORTA FILTRO 58X74X8,5MM (GR B-61/ECC-07)	FILTER HOLDER GASKET	1
13	5.0.025.0010	CRIVO GRUPO B-61/ECC-07	GROUP B-61 SIEVE	1
14	5.0.000.0123	ELECTROVALVULA 3 VIAS 230V - GRUPO	230V 3 WAY ELECTROVALVE GROUP	1
15	4.0.000.0198	RACORD DESCARGA ELECTROVALVULA	ELECTROVALVE DRAINAGE RACCORD	1
16	4.2.000.9606	PARAF. UMBRACO M4X6 INOX DIN912	M4X6 INOX DIN912 UMBRACO SCREW	4



ITEM Nº	CODIGO	DESIGNAÇÃO	DESIGNATION	QUANT.
17	5.0.016.0100	CORPO GRUPO ECC-07	BODY OF THE GROUP ECC-07	1
18	5.0.025.0015	JUNTA TEFLON 10X6X1	TEFLON GASKET	1
19	5.0.000.0315	JUNTA TEFLON 18X13,5X2MM	TEFLON GASKET	1
20	5.0.025.0022	JUNTA TEFLON 22X17X2	TEFLON GASKET	1
21	5.0.016.0106	JUNTA TEFLON 26X 21X2	TEFLON GASKET	1
22	5.0.025.0002	JUNTA TEFLON 35X30X2	TEFLON GASKET	1
23	5.0.016.0102	TAMPAO SUPERIOR M26X1,5 CROM. GR ECC-07	UPPER CHROM. COVER M26X1,5 (GR ECC-07)	1
24	5.0.016.0105	INFUSOR GRUPO ECC-07	INFUSER OF GROUP ECC-07	1
25	5.0.016.0104	TAMPAO LATERAL G1/4 CROM. GR ECC-07	CHROM. SIDE COVER G1/4 (GR ECC-07)	1
26	5.0.016.0110	INJECTOR 0.7 M6X0,75 (GR ECC-07)	INJECTOR 0,7 M6X0,75 (GR ECC-07)	1
27	5.0.025.0023	FITRO INOX INJECTOR	GROUP GIGLEUR FILTER	1
28	5.0.025.0021	TAMPAO G3/8 CROM. (GR B-61/GR ECC-07)	CHROM. COVER G3/8 (GR B-61/GR ECC-07)	1
29	5.0.025.0003	PARAFUSO UMBRACO M6X10 INOX (GR B-61/ECC-07)	FRONT INOX SCREW M6X10 OF THE GROUP B-61	1
30	5.0.025.0009	DISTRIBUIDOR GRUPO B-61/ECC-07	OUTLET GROUP B-61/ECC-07	1

Os elementos deste desenho podem ser alterados sem aviso prévio.  
This drawing may be altered without previous notice.

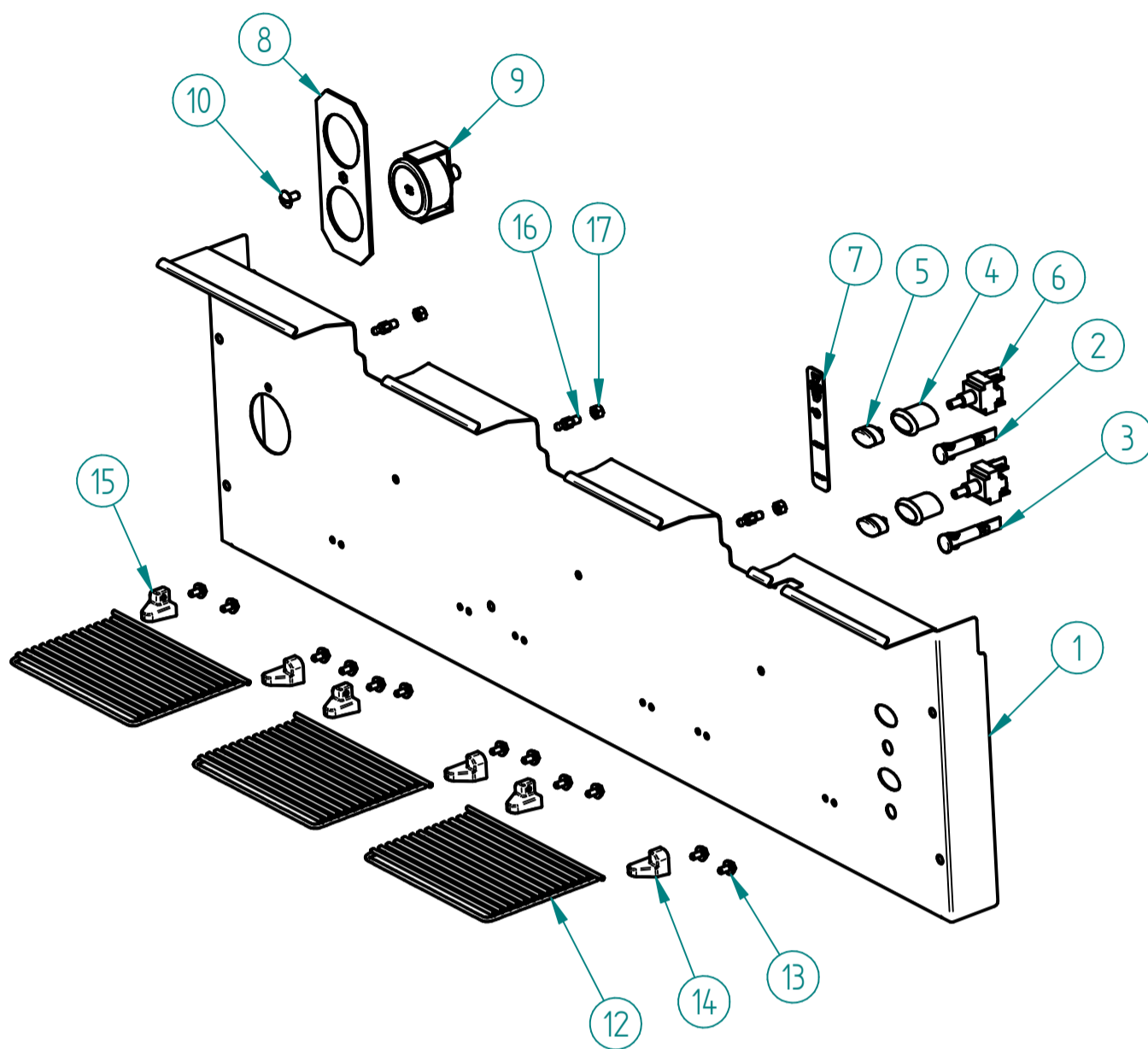


## MÁQ. CAFÉ AROMA/3EB\_3EW

ESPRESSO COFFEE MACHINE AROMA/3EB\_3EW

### 14 - PAINEL FRONTAL CONJ. AROMA/3E

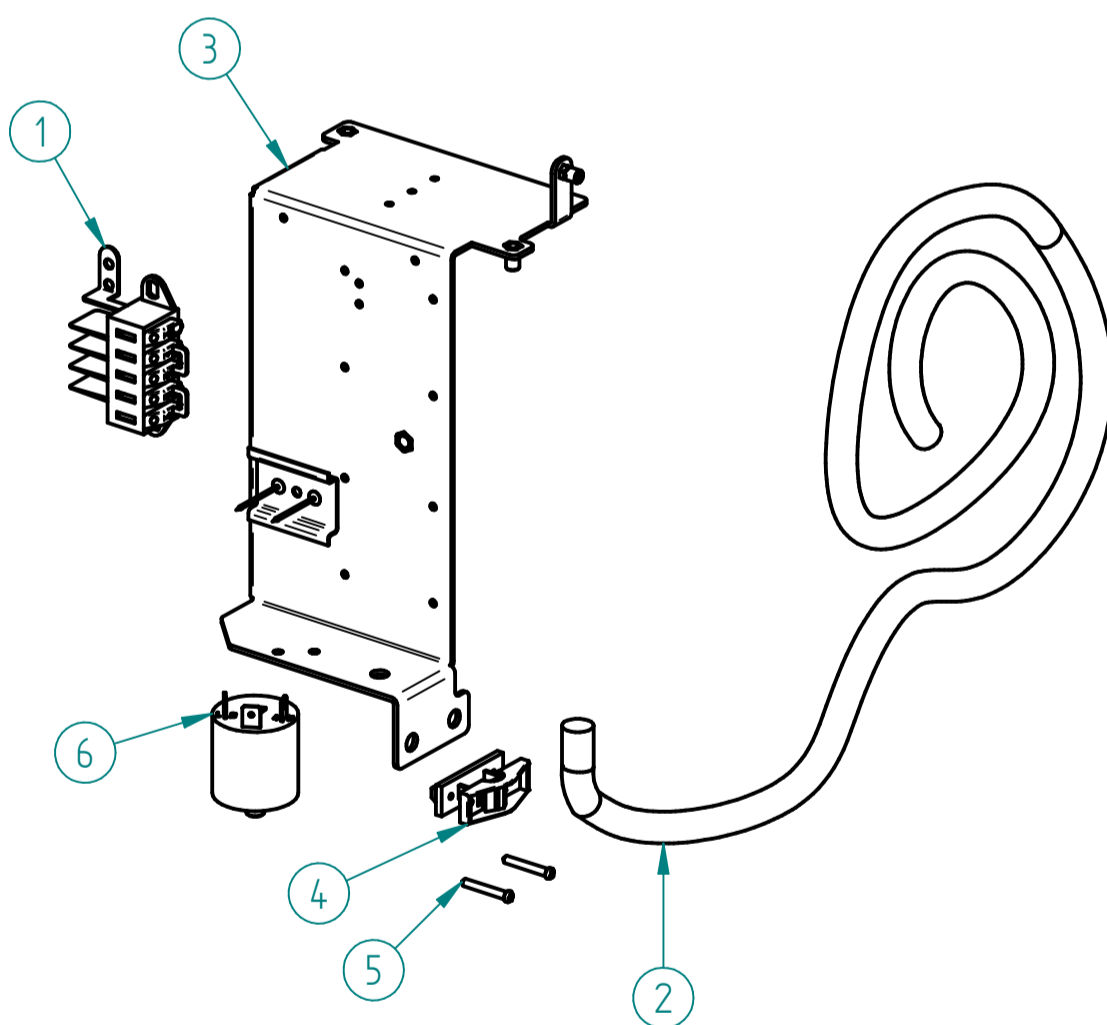
14 - FRONT PANEL QUADRANT 3 DSP TC



ITEM Nº	CÓDIGO	DESIGNAÇÃO	DESIGNATION	QUANT.
1	7.0.034.0024	PAINEL FRONTAL GRELHA ARAME QUADRANT 3 DSP TC	FRONT PANEL QUADRANT 3 DSP TC	1
2	4.0.025.0130	SINALIZADOR VERDE Ø10MM TERM. MACHO	GREEN LED Ø10MM	1
3	4.0.025.0135	SINALIZADOR LARANJA Ø10MM TERM. MACHO	ORANGE LED Ø10MM	1
4	4.0.000.0503	CAIXA ELIPSE D16	BOX D16 ELIPSE	2
5	4.0.000.0507	TASTO ELIPSE D16	SWITCH KEY D16	2
6	4.0.000.0513	INTERRUPTOR BIPOLAR E0070	TWO POLES SWITCH E0070	2
7	4.0.007.0064	AUTOCOLANTE INTERRUPTOR GERAL COMPASS	COMPASS MAIN SWITCH DECAL	1
8	7.0.016.0204	SUPORTE MANÔMETROS ATLANTIC	ATLANTIC GAUGE SUPPORT	1
9	5.0.000.0394	MANOMETRO 0-16BAR NEUTRO	PRESSURE GAUGE 0-16BAR	1
10	4.2.000.9116	PARAFUSO CAB. OVAL LARGA M5X10 NIQ	SCREW M5X10	1
12	4.0.016.7015	GRELHA CHAVENAS ARAME CARAVEL/COMPASS/QUADRANT	WIRE COFFEE TRAY GRID	3
13	4.2.000.9126	PARAFUSO ROSCA PLASTICO K40X8 ZINC.	SCREW K40X8	12
14	4.0.016.7017	SUPORTE DIREITO GRELHA CHAVENAS ARAME	WIRE CUP RIGHT SUPPORT	3
15	4.0.016.7018	SUPORTE ESQUERDO GRELHA CHAVENAS ARAME	WIRE CUP LEFT SUPPORT	3
16	4.0.016.7020	FIXADOR GRELHA CHAVENAS ARAME	FIXER PIN	3
17	4.2.000.9172	PORCA M5 ZINC. DIN934	M5 NUT ZINC. DIN934	3

### 17 - 7.0.034.0101 - CABO H07RN-F 5G2,5-1,8MT CONJ. MAQ. CAFE 3GR

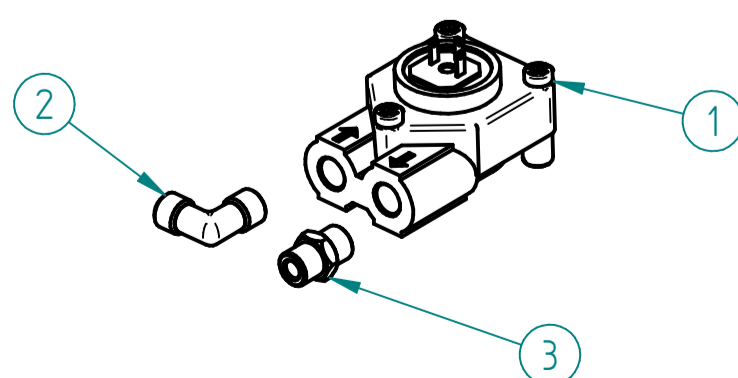
17 -CABLE H07RN-F 5G2,5-1,8MT ASSEMB. 3GR



ITEM Nº	CÓDIGO	DESIGNAÇÃO	DESIGNATION	QUANT.
1	4.0.028.0015	LIGADOR RAPIDO 5 POLOS	FAST LINKER	1
2	4.0.091.0010	CABO H07RN-F 5G2,5	H07RN-F 5G2,5 CABLE	1
3	7.0.033.0051	SUPORTE LIGADOR QUADRANT	QUADRANT CONNECTOR SUPPORT	1
4	4.0.000.0496	CERRA CABOS PA 268	CABLE FASTENER PA 268	1
5	4.2.000.9129	PARAFUSO ROSCA PLASTICO KB3,5X25 ZINC.	SCREW KB3,5X25	2
6	4.0.000.0997	FILTRO EMC MAQ. CAFE	EMC FILTER COFFEE MACHINE	1

### 20 - CONTADOR VOLUMETRICO CONJ. MÁQ. 2GR / 3GR

20 - ASS. VOLUMETRIC DOSER COFFEE MACHINES 2GR / 3GR



ITEM Nº	CÓDIGO	DESIGNAÇÃO	DESIGNATION	QUANT.
1	5.0.000.1012	CONTADOR VOLUMETRICO D1,15-G1/8 C/ LED	VOLUMETRIC DOSER D1,15-G1/8 W/ LED	1
2	5.0.000.0730	RACORD L G1/8-G1/8	RACORD L G1/8-G1/8	1
3	5.0.000.0725	RACORD G1/8-G1/8 NIQ.	RACORD G1/8-G1/8 NIQ.	1

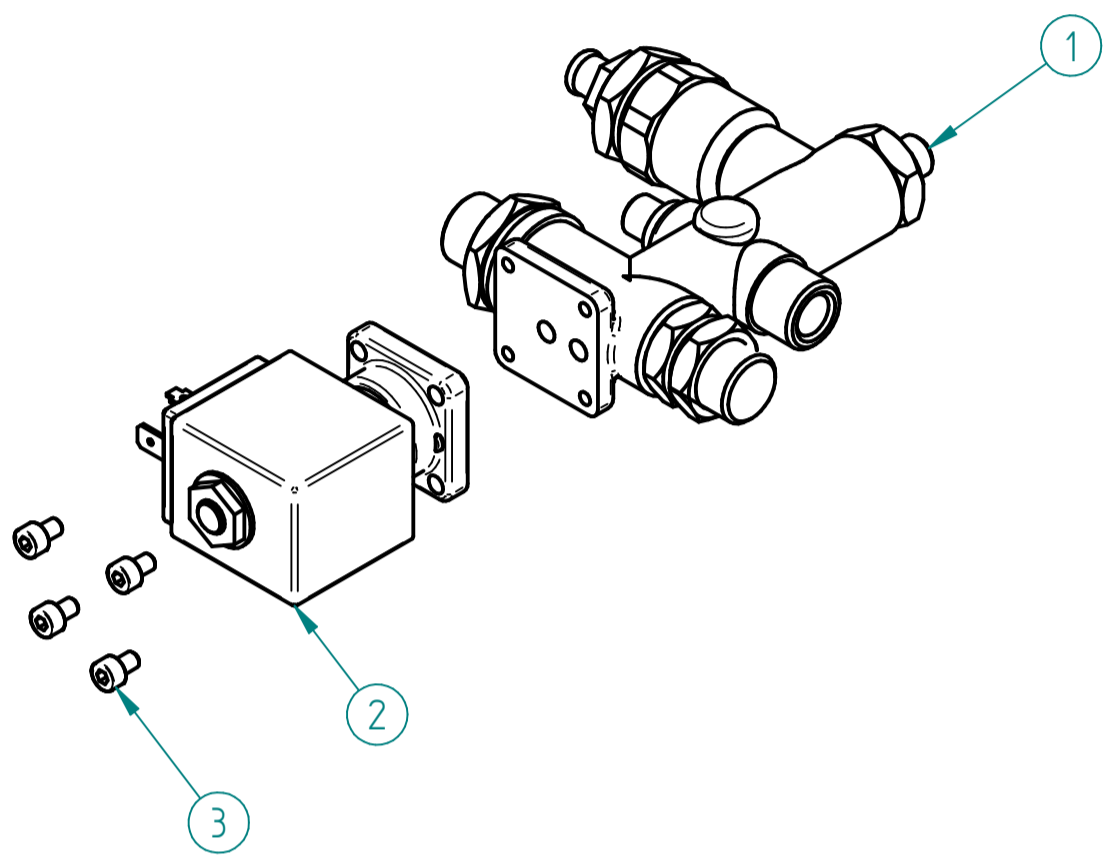
Os elementos deste desenho podem ser alterados sem aviso prévio.  
This drawing may be altered without previous notice.

## MÁQ. CAFÉ AROMA/3EB\_3EW

**ESPRESSO COFFEE MACHINE AROMA/3EB\_3EW**

21 - 7.0.016.0065 - BLOCO ENTRADA AGUA ECC-07 (AUT.) CONJ.

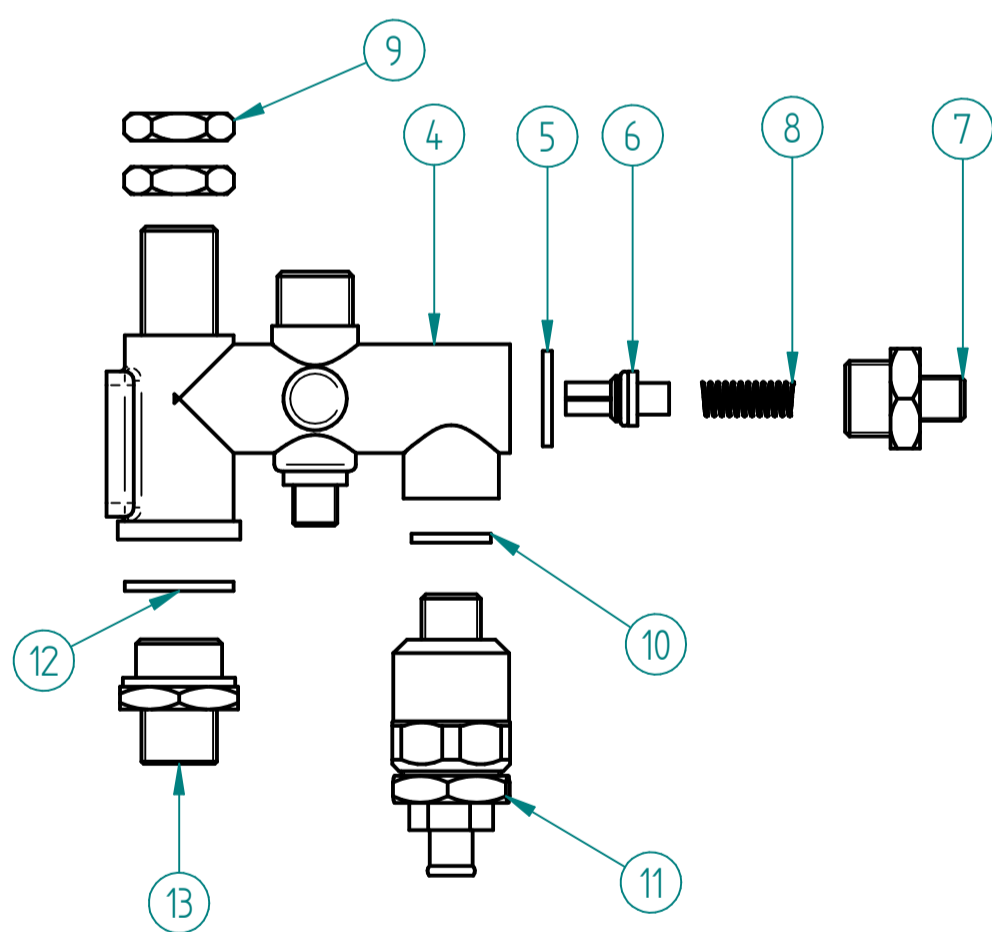
21 - WATER INLET ASS.



ITEM Nº	CÓDIGO	DESIGNAÇÃO	DESIGNATION	QUANT.
1	4.0.016.0010	BLOCO ENTRADA AGUA ECC-07 (AUT.)	WATER INLET ASS.	1
2	5.0.000.0124	ELECTROVAL. 2 VIAS 230V/50HZ-ENT. AGUA PARAL.	2 WAYS ELECTROVALVE	1
3	4.2.000.9606	PARAF. UMBRACO M4X6 INOX DIN912	M4X6 INOX DIN912 UMBRACO SCREW	4

1 - 4.0.016.0010 - BLOCO ENTRADA AGUA ECC-07 (AUT.)

1 - WATER INLET ASS.



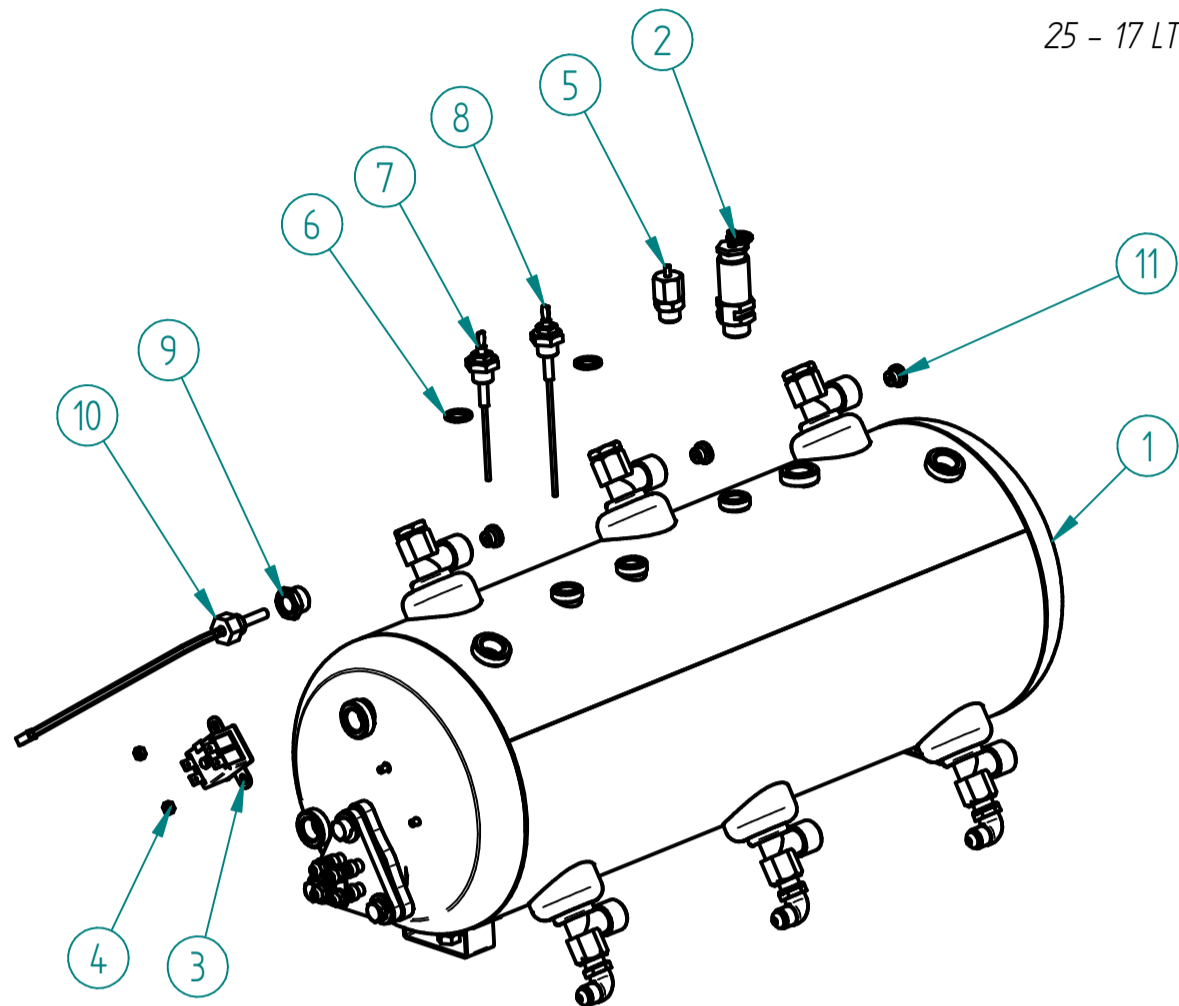
ITEM Nº	CODIGO	DESIGNAÇÃO	DESIGNATION	QUANT.
4	5.0.016.0200	CORPO BLOCO AUT. ECC-07	DISTRIBUTION GROUP BODY (AUT. ECC-07)	1
5	5.0.025.1386	JUNTA TEFLON 21X16,8X2	TEFLON GASKET	1
6	5.0.016.0231	VALVULA ANTI-RETORNO BLOCO ECC-07	ANTI-BACKFLOW VALVE	1
7	5.0.016.0235	RACORD G3-8 x G1-8 BLOCO ECC-07	RACORD G3/8XG1/8 (DISTRIB. GROUP ECC-07)	1
8	5.0.016.0234	MOLA VALVULA ANTI-RETORNO BLOCO ECC-07	ANTI-BACKFLOW VALVE SPRING	1
9	4.0.000.0045	PORCA G3/8 LATAO (SEXT. 21MM)	BRASS NUT G3/8 (21MM)	2
10	5.0.000.0315	JUNTA TEFLON 18X13,5X2MM	TEFLON GASKET	1
11	5.0.016.0220	VALVULA EXPANSAO BLOCO ECC-07	EXPANSION VALVE (DISTRIB. GROUP ECC-07)	1
12	5.0.016.0211	JUNTA TEFLON 24X19X2	TEFLON GASKET	1
13	5.0.016.0215	RACORD M20x1,5-G3/8 BLOCO ECC-07	RACORD M20X1,5-G3/8	1

# MÁQ. CAFÉ AROMA/3EB\_3EW

ESPRESSO COFFEE MACHINE AROMA/3EB\_3EW

## 25 - CALDEIRA 17 LT C/ ACESSORIOS

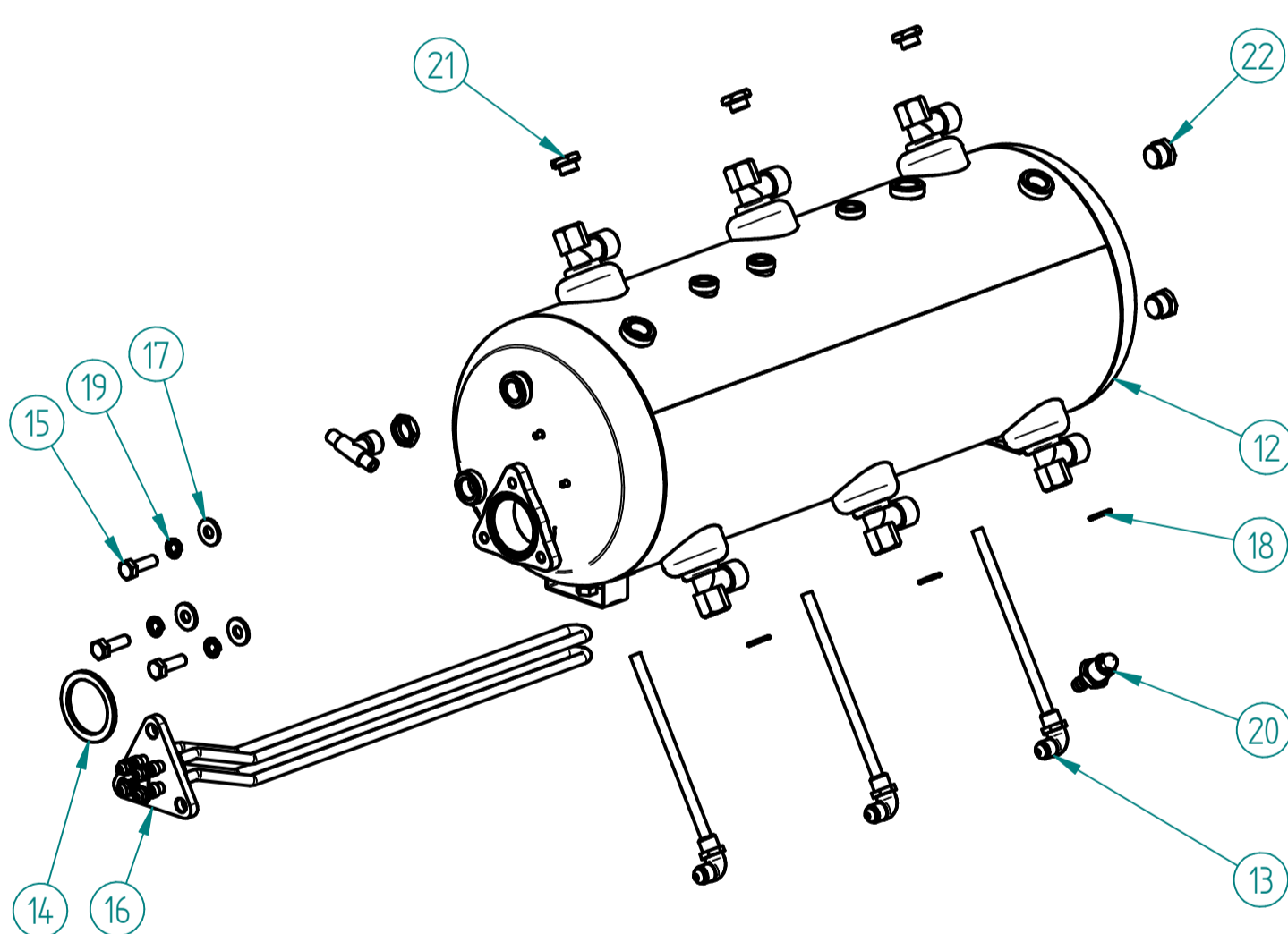
25 - 17 LT BOILER W/ ACCESS



ITEM Nº	CÓDIGO	DESIGNAÇÃO	DESIGNATION	QUANT.
1		CALDEIRA 3 GR 17 LT C/ ACESSORIOS	3 GROUP 17LT BOILER W/ ACCESS.	1
2	4.0.000.0051	VALVULA SEGURANÇA CALDEIRA	BOILER SECURITY VALVE	1
3	4.0.000.0250	TERMOSTATO SEGURANÇA 130°	SAFETY THERMOSTAT 130°	1
4	4.2.000.9184	PORCA M4 LATAO DIN934	BRASS M4 NUT DIN934	2
5	5.0.000.1002	VALVULA ANTI-VACUO	ANTI VACUUM VALVE	1
6	5.0.000.0315	JUNTA TEFLON 18X13,5X2MM	TEFLON GASKET	2
7	7.0.016.0070	SONDA Ø2,5X105MM CONJ.	Ø2,5X105MM PROBE ASS.	1
8	7.0.025.0002	SONDA Ø2,5X135MM CONJ.	Ø2,5X135MM PROBE ASS.	1
9	4.0.000.0118	RACORD G3/8-G1/4F NIQ.	G3/8-G1/4F NICKEL RACORD	1
10	4.0.000.0941	SONDA TEMPERATURA G1/4-280MM	TEMPERATURE PROBE G1/4-280MM	1
11	5.0.000.0748	REDUTOR CAUDAL 2,5MM	FLOW REDUCER 2,5MM	3

## 1 - CALDEIRA 3GR 17 LT C/ ACESS.

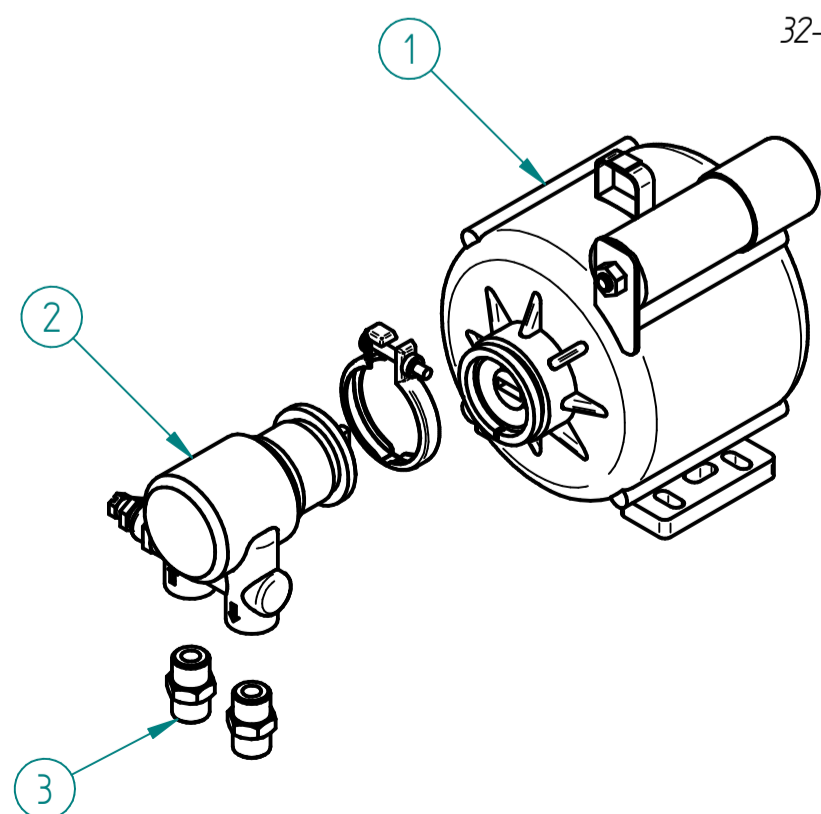
1 - 3 GROUP 17 LT BOILER W/ ACCESS.



ITEM Nº	CÓDIGO	DESIGNAÇÃO	DESIGNATION	QUANT.
12	7.0.000.0546	CALDEIRA 3GR 17LT (RACORD SOLD.)	3 GROUP 17LT BOILER	1
13	7.0.000.0120	RACORD INJECTOR C/ TUBO	INJECTION RACORD W/ TUBE	3
14	5.0.000.0307	JUNTA RESISTENCIA REDONDA	HEATING ELEMENT GASKET	1
15	4.2.000.9086	PARAFUSO CAB. SEXT. M8X25 ZINC. DIN933	SCREW M8X25	3
16	4.0.000.0223	RESISTENCIA FLANGE TRIANG. 4400W 3GR	TRIANGULAR HEATING ELEMENT (4400 W)	1
17	7.2.000.0015	ANILHA PLANA 2X20X8,5 ZINC.	FLAT RING 2X20X8,5	3
18	4.0.000.0013	ANILHA 13x17MM (G1/4) COBRE	GASKET G1/4 CU	3
19	4.2.000.9147	ANILHA MOLA M8 ZINC. DIN127B	M8 SPRING WASHER	3
20	4.0.000.0188	RACORD DESCARGA CALDEIRA	BOILER DRAINAGE RACCORD	1
21	4.0.000.0151	TAMPAO G1/4 LATAO	BRASS COVER G1/4	3
22	4.0.012.0020	TAMPAO G3/8 LATAO	BRASS COVER G3/8	2

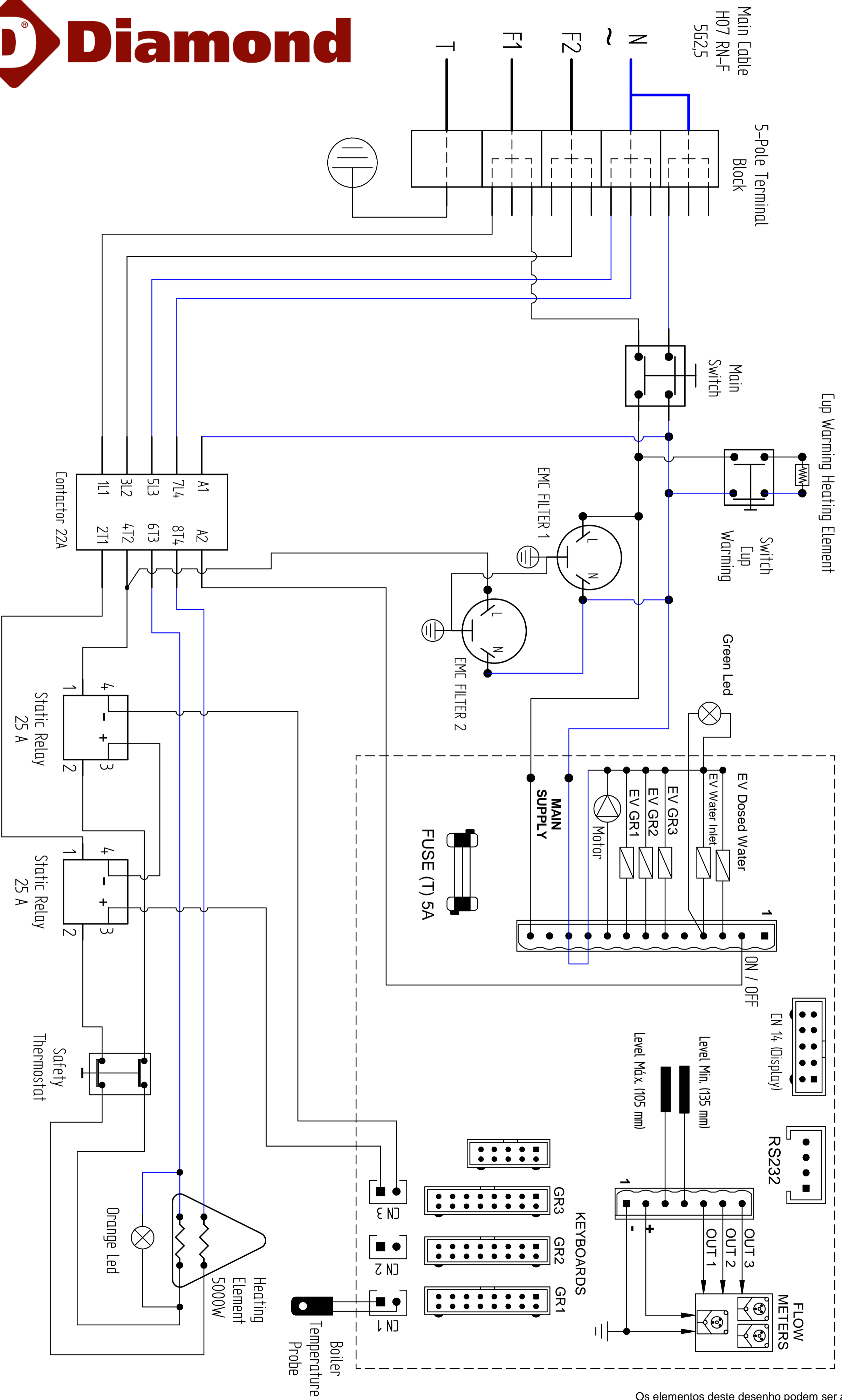
## 32 - 7.0.007.0125 - MOTOR BOMBA CONJ. RPM

32- PUMP-MOTOR ASS. RPM



ITEM Nº	CÓDIGO	DESIGNAÇÃO	DESIGNATION	QUANT.
1	5.0.000.0464	MOTOR RPM 230V/50HZ	MOTOR RPM 230V 50HZ	1
2	5.0.000.0040	BOMBA AGUA	WATER PUMP	1
3	4.0.000.0115	RACORD G3/8-G3/8 (BOMBA)	PUMP'S METAL SLEEVE	2

Os elementos deste desenho podem ser alterados sem aviso prévio.  
This drawing may be altered without previous notice.



Os elementos deste desenho podem ser alterados sem aviso prévio.  
This drawing may be altered without previous notice.