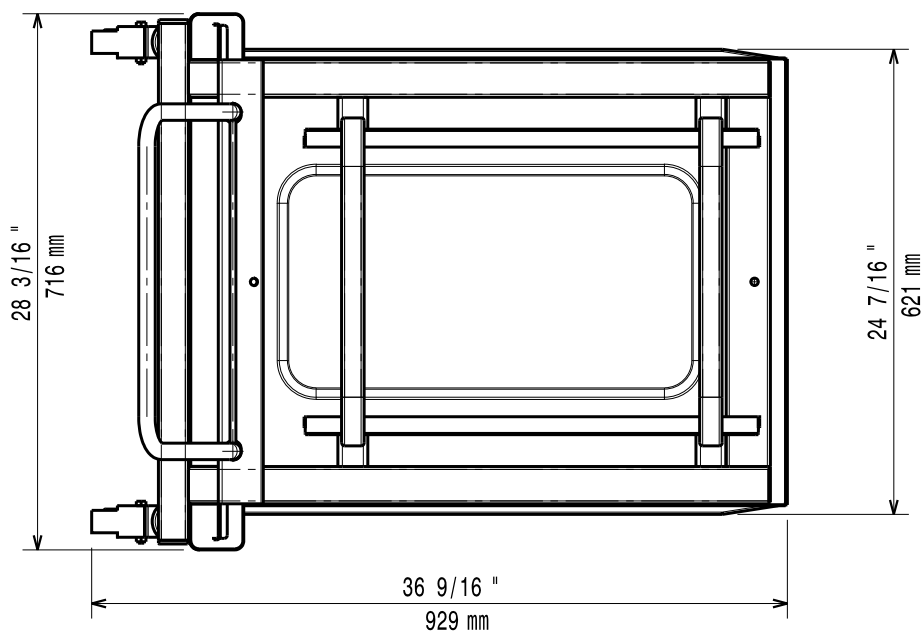
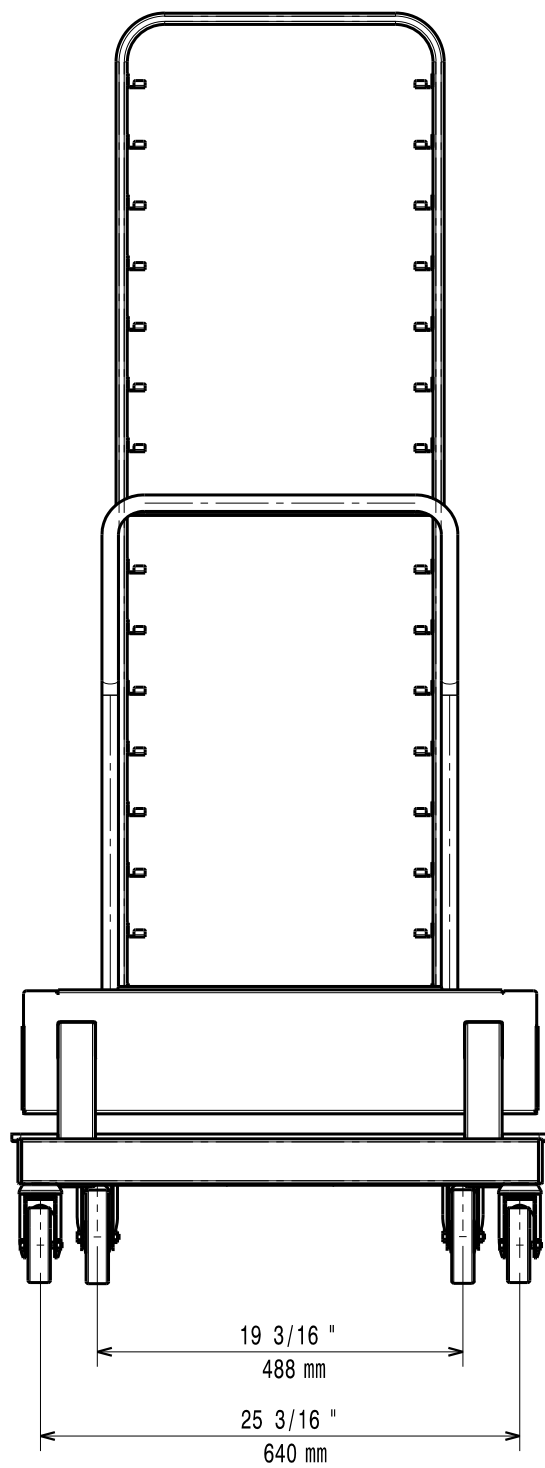
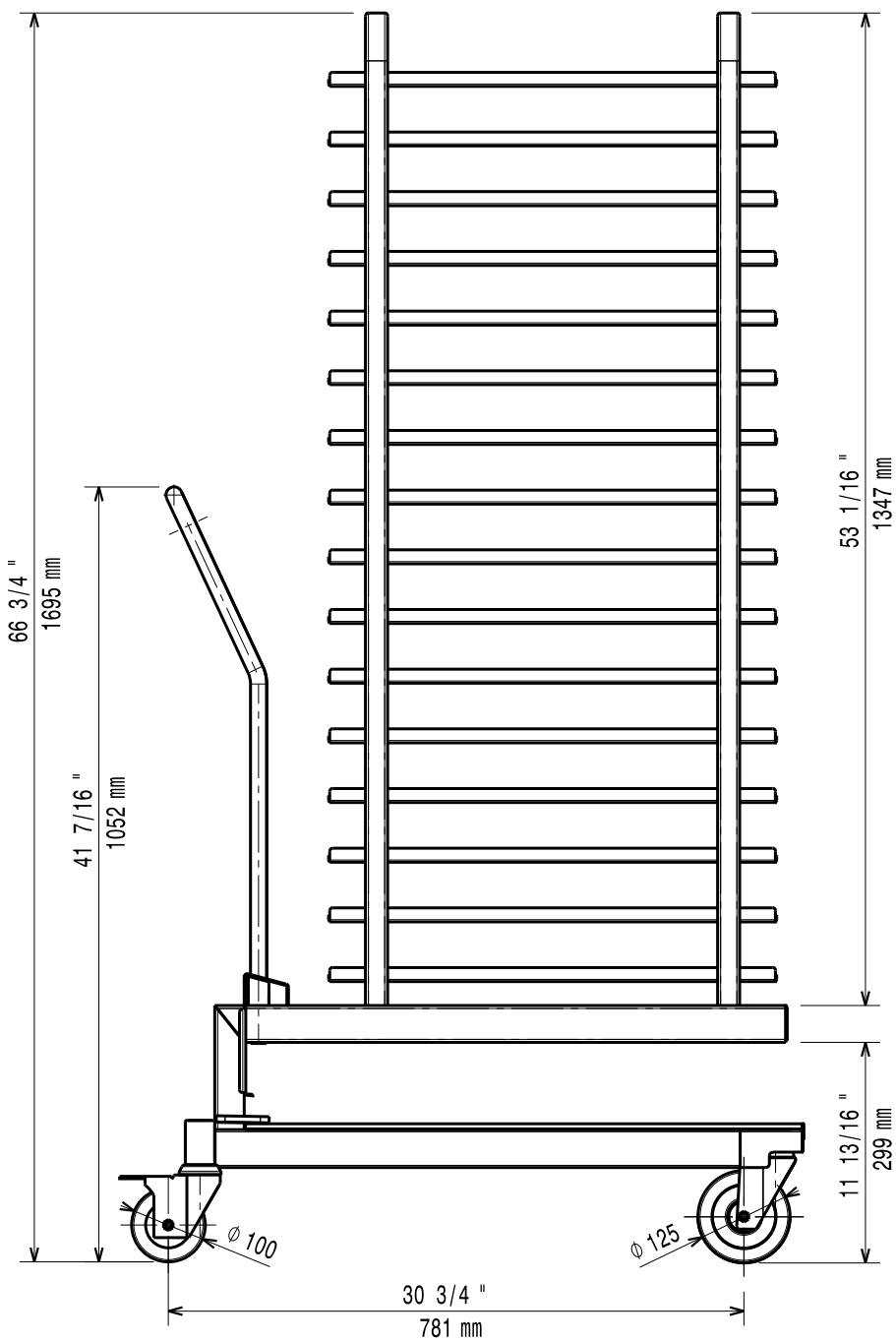


10/2020

Mod: AC/2P22-1680-X

Production code: 922762



597400P01