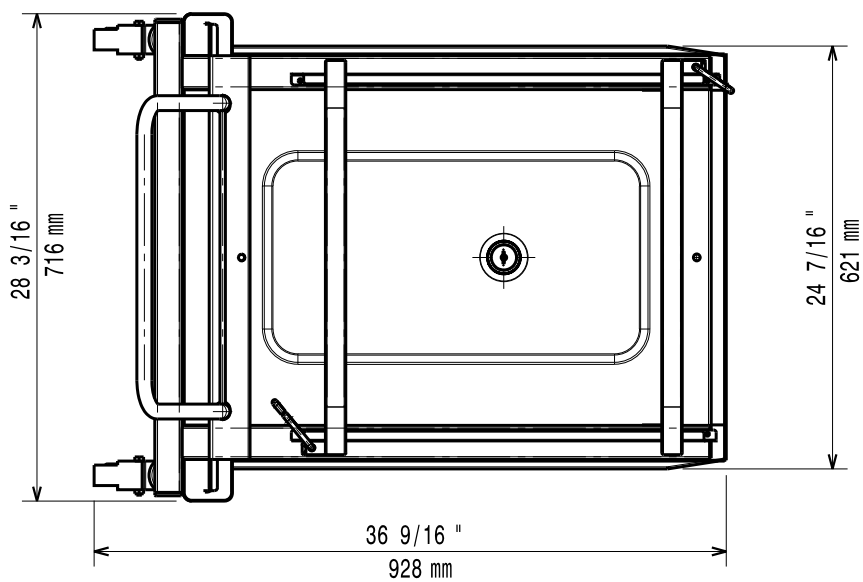
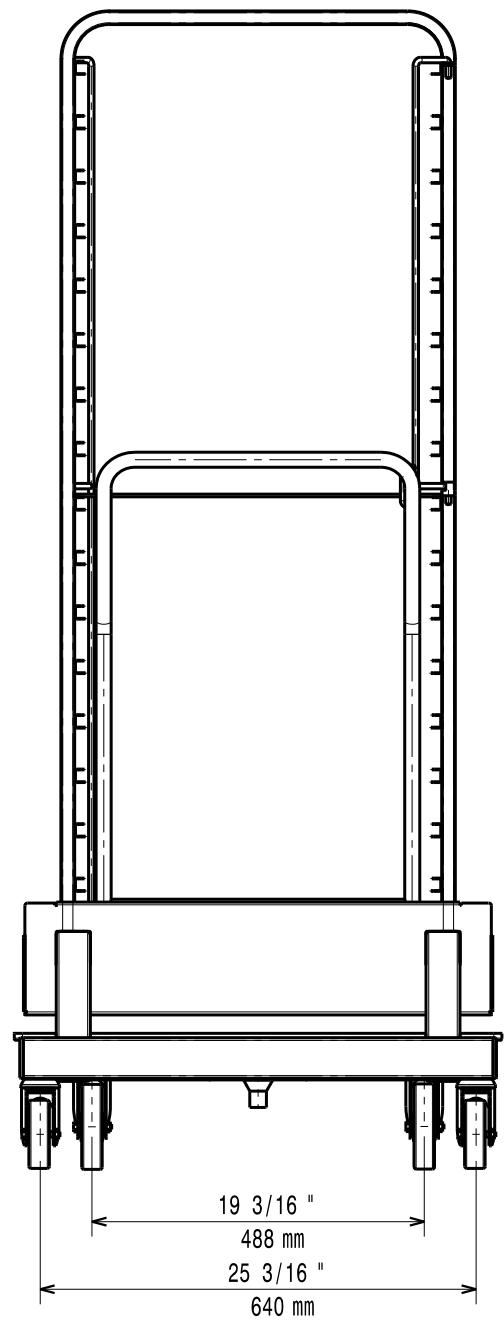
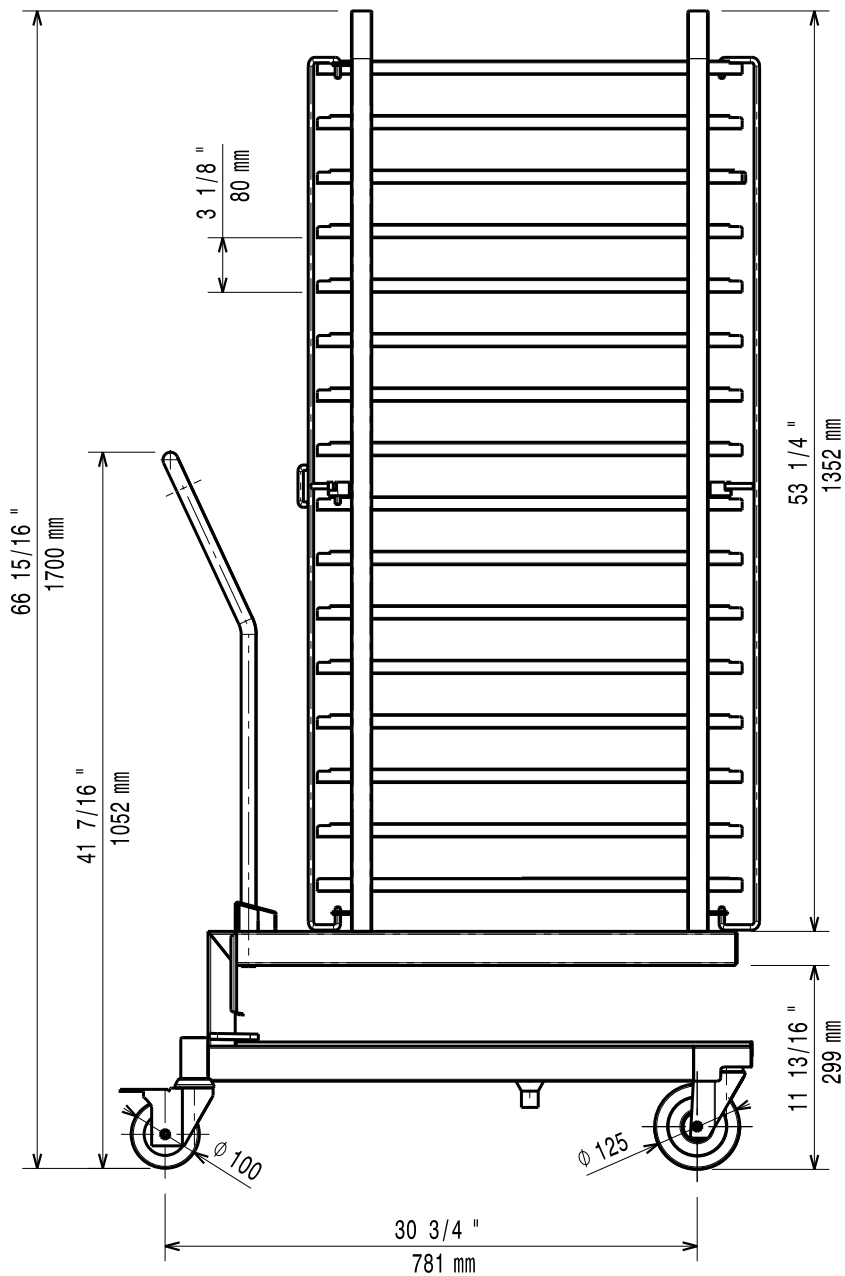


10/2020

Mod: AC-2G22-1680-X

Production code: 922758



597400F01