

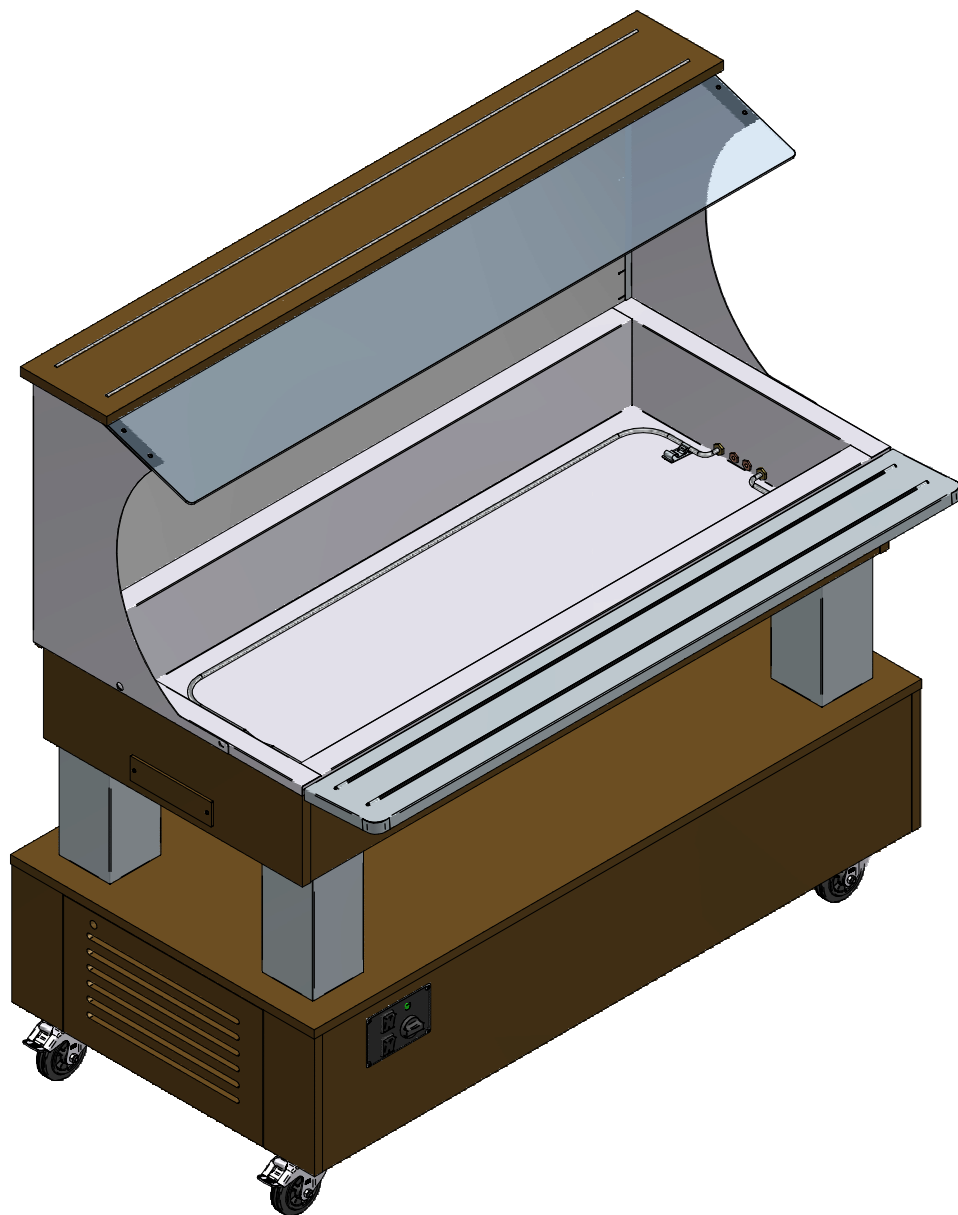
09/2018

Mod: **ABM/4N-A1**

Production code: SBM 40 C4



Diamond
catering equipment



SBM 40 C B

Vue 3D

DT208

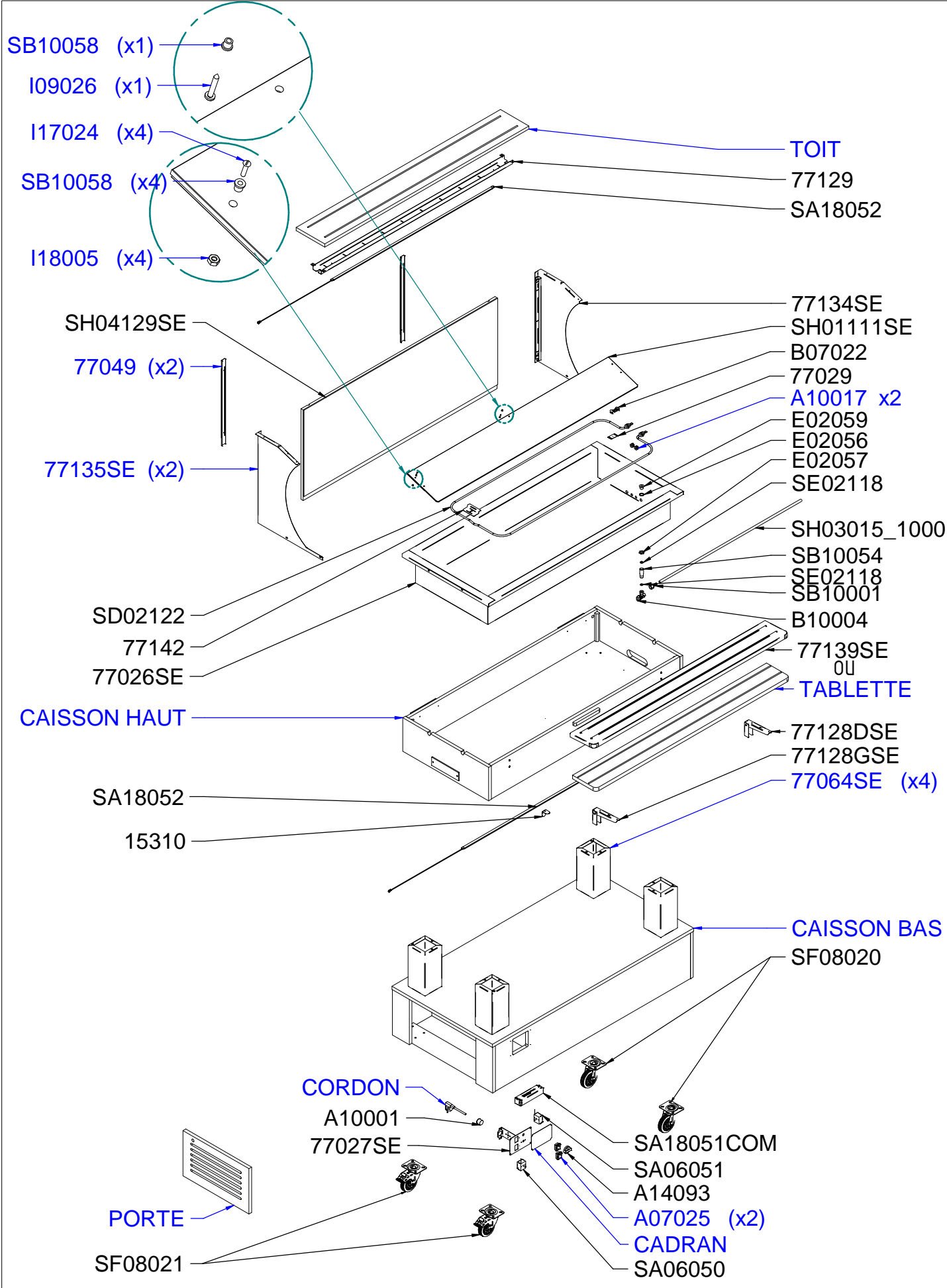
Date :
21/09/2018

Dessiné par :
R.L

Approuvé par :
R.Schoenberger

Date :
21/09/2018

Indice
B



SBM 40 C B

Vue éclatée

DT208	Date : 21/09/2018	Dessiné par : R.L	Approuvé par :	Date : 21/09/2018	Indice B
-------	----------------------	----------------------	----------------	----------------------	-------------

CODE	QTE	PIECE	SPARE PART
15310	1	BRIDE ISOLANT FCV 280	INSULATION HOLDER FCV 280
77026SE	1	CUVE SALAD'BAR CHAUD	CONTAINER HOT SALAD'BAR
77027SE	1	TABLEAU COMPOSANT SALAD'BAR CHAUD	CONTROL PANEL HOLDER WARMING SALAD'BAR
77029	1	SUPPORT BULBE THERMOSTAT SALAD'BAR CHAUD	THERMOSTAT BULB HOLDER SBC
77049	2	CACHE FIL LED SALAD'BAR MURAL	COVER WIRE LED
77064SE	4	S/E PLOT INOX SALAD'BAR	STAINLESS STEEL STUD ASSEMBLY SLB
77128DSE	1	S/E CHARNIERE DROITE SALAD'BAR	RIGHT HINGE ASSEMBLY SALAD'BAR
77128GSE	1	S/E CHARNIERE GAUCHE SALAD'BAR	LEFT HINGE ASSEMBLY SALAD'BAR
77129	1	TRAVERSE TOIT SB 40	ROOF CROSSING SB 40
77134SE	1	S/E MONTANT DROIT SBM	RIGHT UPRIGHT ASSEMBLY SBM
77135SE	1	S/E MONTANT GAUCHE SALAD'BAR MURAL	LEFT UPRIGHT ASSEMBLY SBM
77139SE	1	S/E TABLETTE INOX SB 40	STAINLESS STEEL SHELF ASSEMBLY SB 40
77142	1	SERRE RESISTANCE SALAD'BAR CHAUD/MIXTE	HEATING ELEMENT HOLDER SB 40
A07025	2	INTERRUPTEUR NOIR ETANCHE BIP 20A/250V	BLACK SWITCH BIP 20A/250V
A08009	1	VOYANT VERT DIAM 12	GREEN PILOT LIGHT DIAM 12
A10001	1	SERRE CABLE PA 107	CORD CLOSER PA 107
A10017	2	PRESSE ETOUPE	SEAL
A14093	1	BOUTON NOIR FOUR 26 L 12H	BLACK KNOB OVEN 26 L 12H
B07022	1	CLIPS SUPPORT DE BULBE RF	CLIPS HOLDER BULB
B10004	1	ROBINET	TAP
CADRAN	1	CADRAN	FRONT PANEL
CORDON	1	CORDON	CORD
E02056	1	JOINT CAOUTCHOUC 17 x 23	RUBBER SEAL 17 x 23
E02057	1	CONTRE ECROU	LOCK NUT
E02059	1	BAGUE 3/8	RING 3/8
I09026	1	TOLE POZ 3.5X22 INOX	STEEL SCREW 6 x 22
I17024	4	VIS POELIER M 3 x 12	SCREW M 3 x 12
I18005	4	ECROU HU DIAM 3 INOX	STEEL NUT DIAM 3
SA06050	1	THERMOSTAT REGULATION	REGULATION THERMOSTAT
SA06051	1	THERMOSTAT SECURITE	SAFETY THERMOSTAT
SA18051COM	1	ALIMENTATION LED ASSEMBEE 60 W 12 V	ASSEMBLY LED ALIMENTATION 60 W 12 V
SA18052	2	TUBE LED 1150 mm	LED TUBE Lg 1150 mm
SB10001	1	RACCORD ROBINET SLB	TAP FITTING SLB
SB10054	1	RALLONGE CUVE SALAD'BAR	EXTENSION TANK SALAD'BAR
SB10058	5	BAGUE PLASTIQUE	PLASTIC RING
SD02122	1	RESISTANCE 3000 W 230 V	HEATING ELEMENT 3000 W 230 V
SE02118	2	JOINT 12 x 17	SEAL 12 x 17
SF08020	2	ROULETTE NOIRE SS FREIN Diam 100	BLACK WHEEL WITHOUT BRAKE Diam 100
SF08021	2	ROULETTE NOIRE + FREIN Diam 100 SLB	BLACK WHEEL WITH BRAKE Diam 100 SLB
SH01111SE	1	VERRE 1420 x 215 Ep 5 mm SLB 40	GLASS 1420 x 215 Ep 5 mm SLB 40
SH03015_1000	1	TUYAU SILICONE 8 x 12	SILICONE PIPE 8 x 12
SH04129SE	1	S/E SUPPORT BOIS + MIROIR SLB MURAL	GLASS + WOOD HOLDER ASSEMBLY SBM
PIECE / SPARE PART		COULEUR / COLOR:	ACAJOU / WENGE / CHENE CLAIR / BLANC
MEUBLE COMPLET			SH04127 / SH04125 / SH04124 / SH04126
MEUBLE COMPLET ss tablette			SH04127TI / SH04125TI / SH04124TI / SH04126TI
CAISSON BAS	1		SH04127X1 / SH04125X1 / SH04124X1 / SH04126X1
CAISSON HAUT	1		SH04127X2 / SH04125X2 / SH04124X2 / SH04126X2
PORTE	1		SH04127X5 / SH04125X5 / SH04124X5 / SH04126X5
TABLETTE	1		SH04051 / SH04057 / SH04054 / X
TOIT	1		SH04065 / SH04064 / SH04063 / SH04014

SBM 40 C B

Nomenclature

DT208

Date :
21/09/2018

Dessiné par :
R.L

Approuvé par :
J.Godéré

Date :
21/09/2018

Indice
B