
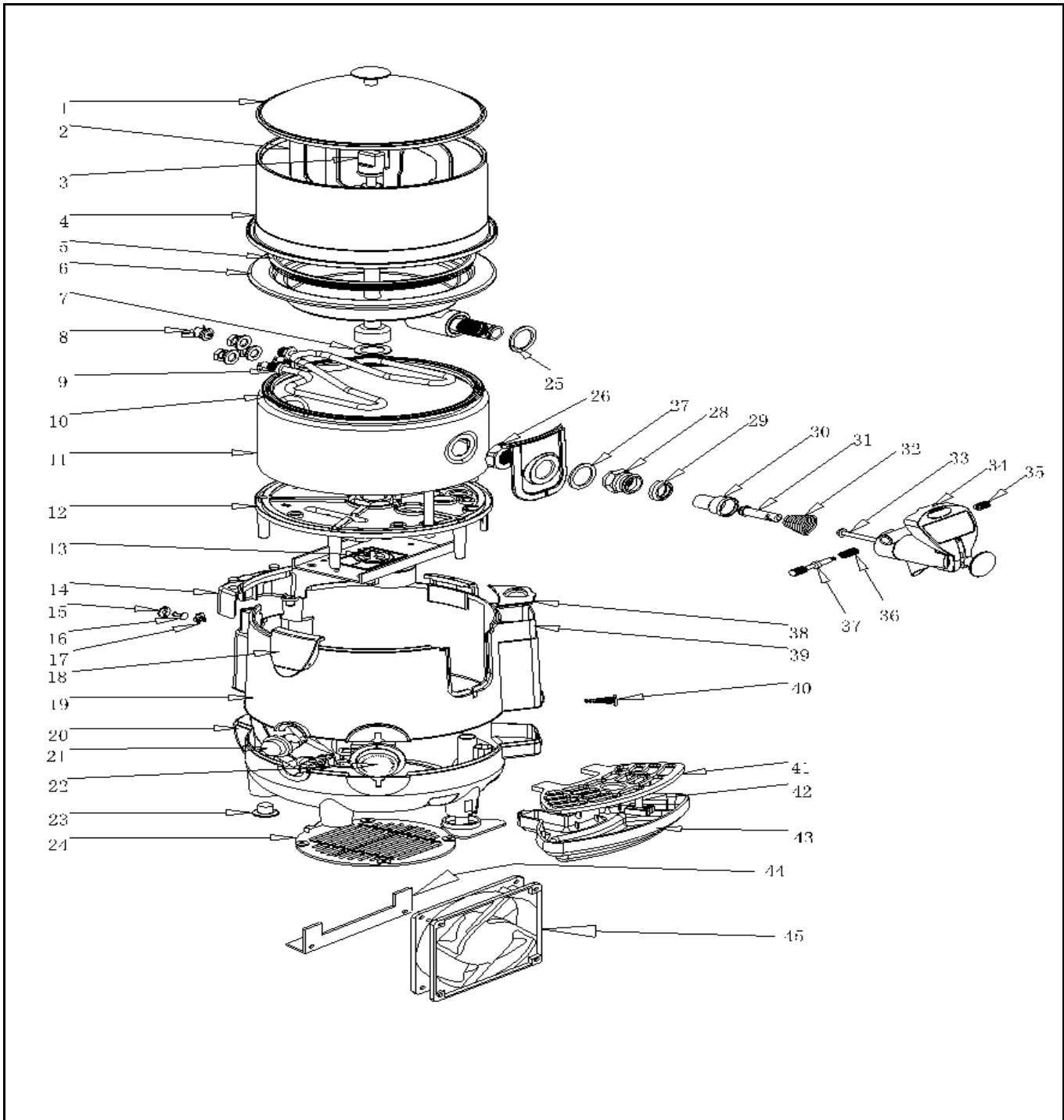



Drawing

 <b>HENDI</b> FOOD SERVICE EQUIPMENT  <b>Hendi B.V.</b> Steenoven 21 3911 TX Rhenen The Netherlands	<b>Batch #</b>	<b>Appliance part#</b>
	Batch nr 502263 and up	<b>274125</b>
	<b>Description</b>	
	Hot Chocolate Dispenser	

<b>Date</b>	17-05-2016	<b>Revision #</b>	Revision version
<b>Revision</b>	First bill of materials (BOM)		



### Bill of materials (BOM)

 <p><b>Hendi B.V.</b> Steenoven 21 3911 TX Rhenen The Netherlands</p>	<b>Batch #</b>	<b>Appliance part#</b>
	Batch nr 502263 and up	<b>274125</b>
	<b>Description</b>	
<b>Hot Chocolate Dispenser</b>		


<b>Date</b>	17-05-2016	<b>Revision #</b>	Revision version
<b>Revision</b>	First bill of materials (BOM)		

Item	Description	Part#	Quantity	Remark	Picture
1	Lid	935538	1		
2	Mixing arm	935545	1		
3	Stirring rod	935552	1		
4	Container	935576	1		
5	Gasket container	935583	1		
6	Pan	935590	1		
7	Gasket	n/a	1		
8	Hi-limiter	935606	1		
9	Element 230V 1006W	935613	1		
10	Gasket	n/a	1		
11	Upper housing	n/a	1		
12	Bracket	n/a	1		
13	Motor	935620	1		
14	Back cover	n/a	1		
15	Cover hi-limiter	n/a	1		
16	Push rod	n/a	1		
17	Stopper	n/a	1		
18	Hinge	n/a	2		
19	Midldle housing	n/a	1		
20	Lower housing	n/a	1		
21	Switch on/off	935637	1		
22	Thermostat	935644	1		
23	Foot	n/a	3		
24	Bottom cover	n/a	1		
25	Washer	n/a	1		
26	Nut	nss	1	Available as 935668	
27	Gasket	nss	1	Available as 935668	
28	Nut	nss	1	Available as 935668	
29	Seat sealing	935651	1	Also in set 935668	
30	Sealing	n/a	1	Available as 935668	
31	Pin	nss	1	Available as 935668	
32	Spring	nss	1	Available as 935668	
33	Shaft	nss	1	Available as 935668	
34	Faucet	935668	1	Incl item 26,27,28,29,30,31,32,33,34,35,36,37	
35	Screw	nss	1	Available as 935668	
36	Spring	nss	1	Available as 935668	
37	Pin	nss	1	Available as 935668	
38	Lid watertank	935675	1		
39	Water container	n/a	1		
40	Drain plug	935682	1		
41	Lid driptray	nss	1	Available as 935699	
42	Driptray level indicator	nss	1	Available as 935699	
43	Driptray complete assembly	935699	1	Incl item 41,42	
44	Bracket	n/a	1		
45	Fan	939963	1		

n/a -> not available

nss -> not sold separately

**Circuit diagram**

 <p><b>Hendi B.V.</b> Steenoven 21 3911 TX Rhenen The Netherlands</p>	<b>Batch #</b>	<b>Appliance part#</b>
	Batch nr 502263 and up	<b>274125</b>
	<b>Description</b>	
	Hot Chocolate Dispenser	

<b>Date</b>	17-05-2016	<b>Revision #</b>	Revision version
<b>Revision</b>	First bill of materials (BOM)		

