

REV.00
(08/2020)

TYPE 3405-3410

TAV.0

**CATALOGO PARTI DI RICAMBIO
SPARE PARTS CATALOGUE
CATALOGUE PIECES DETACHEES
ERSATZTEILKATALOG
CATALOGO DE PIEZAS DE RICAMBIO
CATALOGO PEÇAS DE REPOSIÇÃO**

**TYPE 3405-3410
Dishwasher basket 50x50
Partial double skinned
Electromechanical controls**

INFORMAZIONI GENERALI

- A. Il catalogo serve per richiedere con esattezza le parti di ricambi, in base al **MODEL** indicato nella matricola della macchina. Negli ordini indicare la posizione, il codice, la descrizione e la quantità delle parti di ricambio;
- B. I disegni delle parti di ricambio sono indicativi e NON rappresentano il pezzo reale;
- C. I dati contenuti in questo catalogo sono indicativi e possono essere soggetti a modifiche senza preavviso.

GENERAL INFORMATION

- A. This catalog order exactly the right spare parts, according to the **MODEL** indicated on the identification plate of the machine. When ordering, specify the position, the code, the description and the quantity of spare parts;
- B. The spare parts drawings are general and DO NOT represent the real part;
- C. The contents of this catalog are general, and can undergo changes without prior notice.

INFORMATIONS GÉNÉRALES

- A. Ce catalogue est utilisé pour commander exactement les pièces détachées, selon le **MODEL** indiqué sur la plaque d'identification de la machine. Les commandes doivent indiquer la position, le code, la description et la quantité des pièces détachées;
- B. Les dessins des pièces détachées sont indicatif, et NE représentent pas le pièces concernée;
- C. Les données de ce catalogue sont citées seulement à titre indicatif et peuvent être l'objet de modifications sans avis préalable.

LETTURA DELLA MATRICOLA MACCHINA

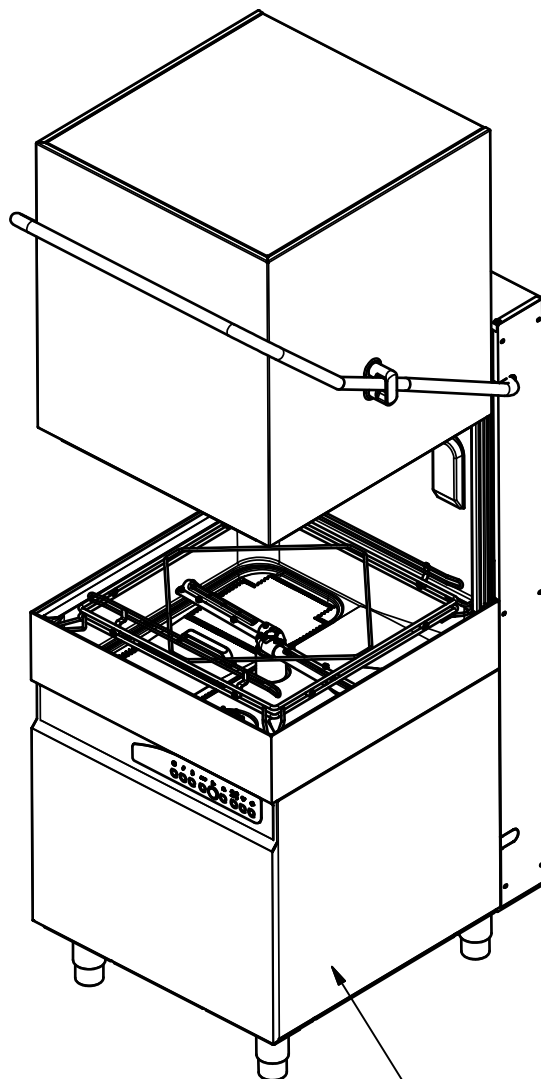
CONSTRUCTION OF MACHINE ID NUMBER

LECTURE DONNÉE DE LA MACHINE

DATI IDENTIFICATIVI
IDENTIFICATION DATA
DONNÉES D'IDENTIFICATION

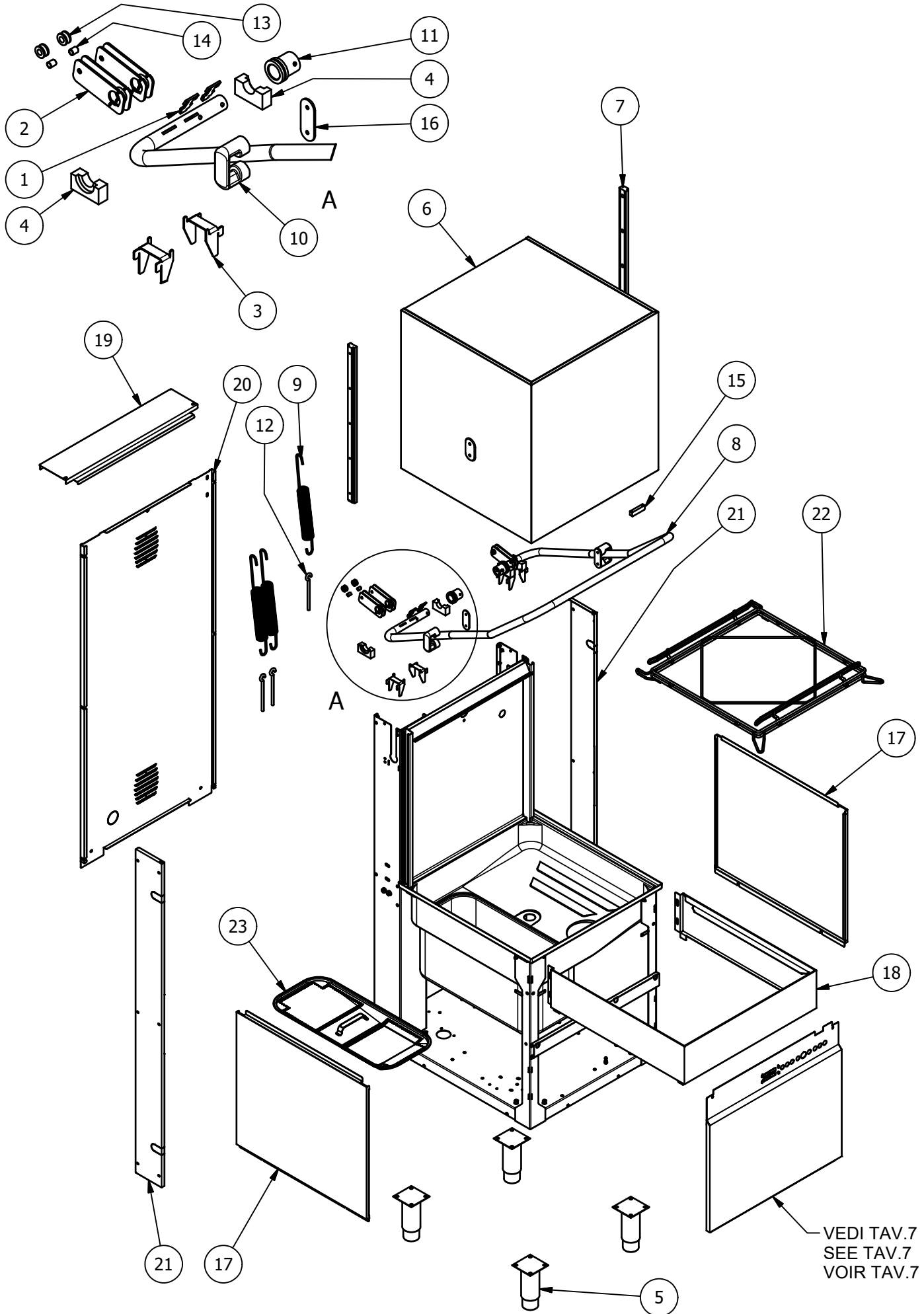
LOGO FABBRICANTE MANUFACTURER LOGO	INDIRIZZO FABBRICANTE MANUFACTURER ADDRESS
MODEL TYPE CODE 1234-123456 SERIAL No. YYYYYYYY ARTICLE	220-240V~50Hz 14A Power 3185 W IP25
WATER SUPPLY 200+500 kPa/MAX 50°C Electronic code: XXXX PW: XXXX	

DATI TECNICI
TECHNICAL SPECIFICATIONS
DONNÉES TECHNIQUES



MATRICOLA
IDENTIFICATION PLATE
PLAQUE D'IDENTIFICATION

TAV 1	CARROZZERIA	BODY	CARROSSERIE
TAV 2	COMPONENTI ELETTRICI	ELECTRICAL COMPONENTS	COMPOSANTS ÉLECTRIQUES
TAV 3	COMPONENTI IDRAULICI	HYDRAULIC COMPONENTS	COMPOSANT HYDRAULIQUES
TAV 4	BRACCI LAVAGGIO / RISCIAQUO	WASH/RINSE ARMS	BRAS DE LAVAGE ET RINÇAGE
TAV 5	POMPA DI SCARICO	DRAIN PUMP	POMPE DE VIDANGE
TAV 6	ADDOLCITORE	WATER SOFTNER	ADOUCESSEUR
TAV 7	PANNELLO DI CONTROLLO	FRONT PANEL	PANNEAU DE CONTROLE
TAV 8	POMPA DI LAVAGGIO	WASHING PUMP	POMPE DE LAVAGE
TAV 9	DOSATORE DETERATIVO E BRILLANTANTE	DETERGENT AND RINSE AID DISPENSER	DOSEURS PRODUIT DE LAVAGE ET RINÇAGE



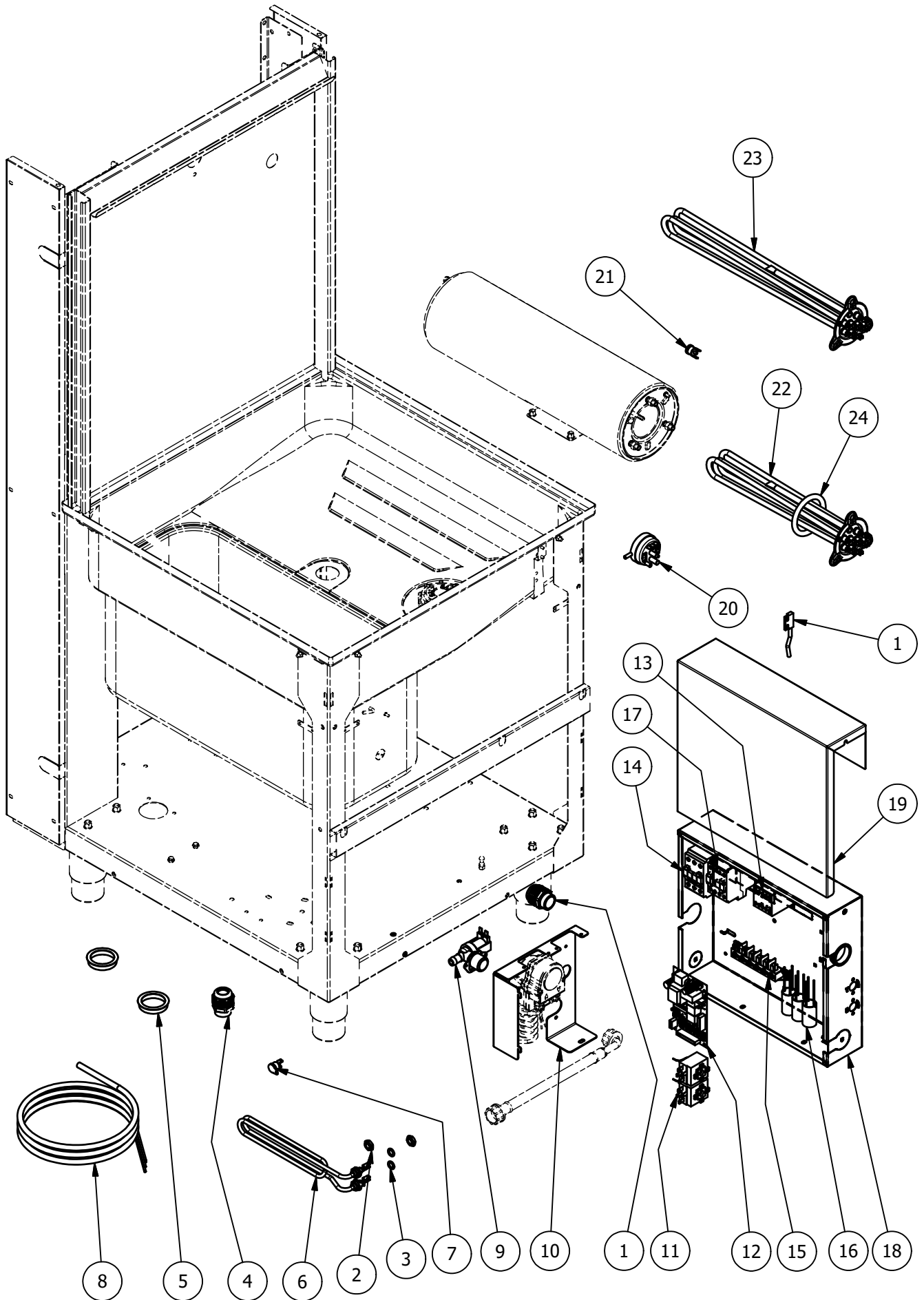
REV.00
(08/2020)

TYPE 3405-3410
CARROZZERIA - BODY - CARROSSERIE

TAV.1_2

ELEM.	CODICE	DA/FROM MATR.	DESCRIZIONE	DESCRIPTION [EN]	DESCRIPTION [FR]	U.M.
1	3056-0038		PROFILO BLOCCA PIASTRA MOLLE	SPRING PLATE LOCK	ARRET DE RESSORT	No.
2	3051-0031		PIASTRA FISSAGGIO MOLLE	SPRING PLATE	ASSIETTE DU RESSORT	No.
3	3002-0054		SUPPORTO FISSAGGIO MANIGLIONE	HANDLE FIXING PLATE	PLAQUE DE FIXATION DE LA POIGNÉE	No.
4	00014390		SUPPORTO MANIGLIONE	HANDLE SUPPORT	SUPPORT DE POIGNÉE	No.
5	00012041		PIEDINO FLANGIATO	ADJUSTABLE FEET	PIEDS RÉGLABLES	No.
6	8302-0019		CAPPOTTINA SALDATA SINGOLA PARETE	HOOD ASSY	CAPOT ASSY	No.
7	00014398		GUIDA SCORRIMENTO	RAIL GUIDE	GUIDE DE RAIL DE CAPOT	No.
8	00016878		MANIGLIONE	HOOD LIFT HANDLE	POIGNÉE DE LEVAGE DU CAPOT	No.
9	00002543		MOLLA A TRAZIONE (*)	TRACTION SPRING (*)	RESSORT DE TRACTION (*)	No.
10	00014789		GUIDA SCORRIMENTO MANIGLIONE	GUIDE FOR HOOD LIFT HANDLE	GUIDE POUR POIGNÉE DE LEVAGE DU CAPOT	No.
11	00014616		BOCCOLA PER TUBO MANIGLIONE	BUSHING FOR HOOD LIFT HANDLE	BAGUE POUR POIGNÉE DE LEVAGE DU CAPOT	No.
12	00006558		GANCIO M8x120	HOOK M8x120	CROCHET M8x120	No.
13	00002576		RULLINO PER MOLLA	SPRING ROLLER	ROULEAU DE RESSORT	No.
14	00002574		BUSSOLA PER RULLINO	SLEEVE BEARING	ROULEMENT À MANCHON	No.
15	00016006		UNITA' MAGNETICA (*)	MAGNETIC UNIT (*)	UNITÉ MAGNÉTIQUE (*)	No.
16	3051-0032		PIASTRA INTERNA	INTERNAL PLATE	PLAQUE INTERNE	No.
17	3011-0005		PANNELLO LATERALE DX-SX	SIDE PANEL RH-LH	PANNEAU LATÉRAL DR-GAU	No.
18	3009-0001		FASCIA COPRI BORDO ALTA	TANK COVER BAND	BANDE DE COUVERCLE DE RÉSERVOIR	No.
19	3012-0008		SCHIENALE SUPERIORE	UPPER PANEL	PANNEAU SUPÉRIEUR	No.
20	3012-0007		SCHIENALE INTERO	REAR PANEL	PANNEAU ARRIÈRE	No.
21	3011-0006		PANN. COPRI LONGHERONE DX-SX	ROOF PANEL RH-LH	PANNEAU DE TOIT DR-GAU	No.
22	00015360		ASS. PORTACESTO	BASKET FRAME ASSY	CADRE DE PANIER ASSY	No.
23	00014801		FILTRO VASCA	TANK FILTER	FILTRE DE RÉSERVOIR	No.

(*) RICAMBI CONSIGLIATI / RECOMMENDED SPARE PARTS / PIECES DETACHEES RECOMMANDEES

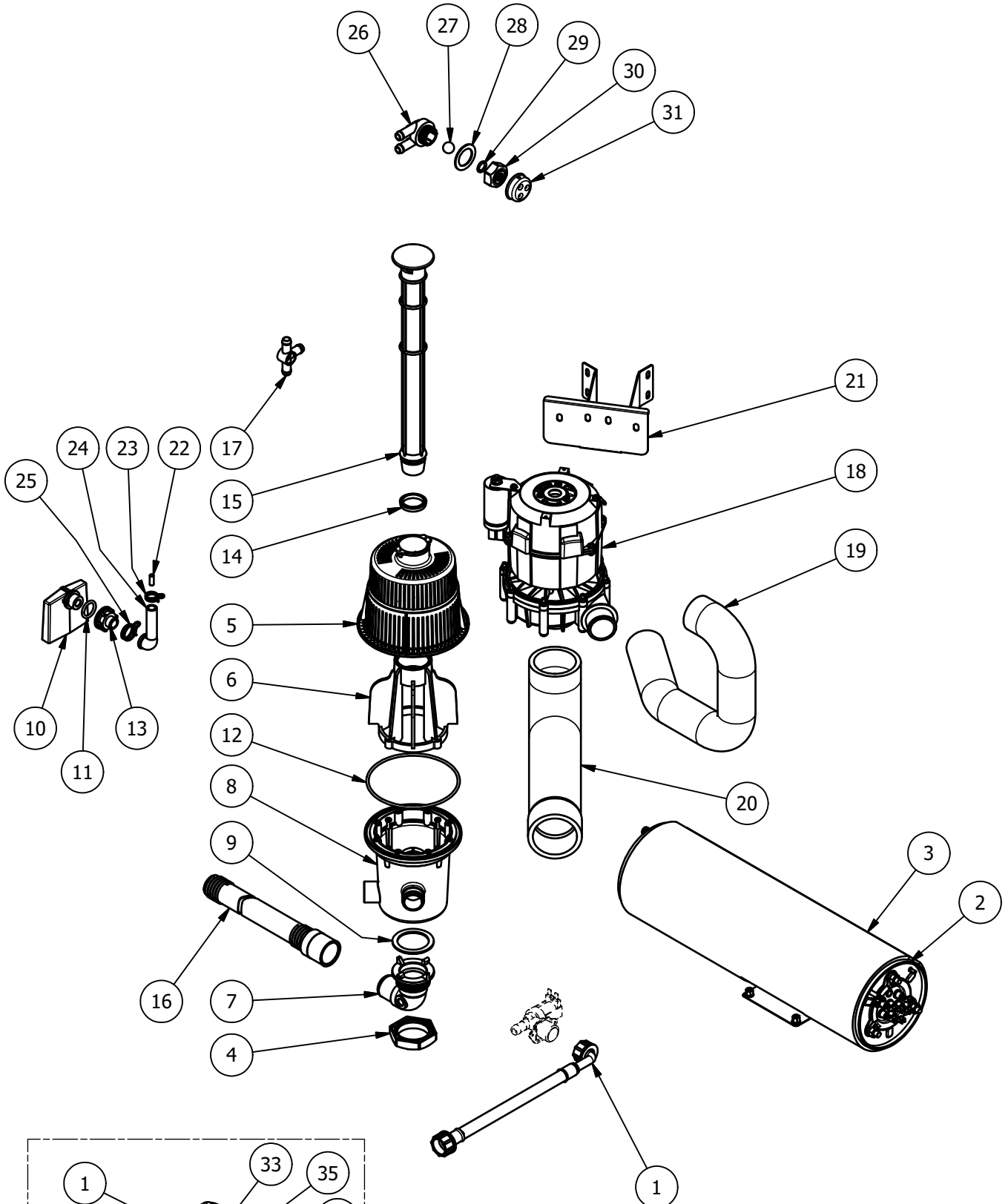


REV.00
(08/2020)TYPE 3405-3410
COMPONENTI ELETTRICI - ELECTRICAL COMPONENTS - COMPOSANT ELECTRIQUES

TAV.2_2

ELEM.	CODICE	DA/FROM MATR.	DESCRIZIONE	DESCRIPTION [EN]	DESCRIPTION [FR]	U.M.
1	00012685		MICROINTERRUTTORE MAGNETICO (*)	MICRO SWITCH (*)	CAPTEUR MAGNETIQUE OUV. DE PORTE (*)	No.
2	00000267		DADO M10 OTTONE	M10 BRASS NUT	ÉCROU M10 LAITON	No.
3	00000697		OR 112	OR 112	OR 112	No.
4	00000462		FISSACAVO PG 21	PG 21 CABLE CLAMP	GUIDE DU CABLE PG 21	No.
5	00014489		PASSACAVO	CABLE GUIDE	GUIDE DU CABLE	No.
6	00014795		RESISTENZA 230V 2.8kW (*)	RESISTANCE 230V 2.8kW (*)	RÉSISTANCE 230V 2.8kW (*)	No.
7	00004066		TERMOSTATO BIMETALL. A R.M. (*)	MANUAL RESET SAFETY THERMOSTAT (*)	THERMOSTAT DE SECURITÉ À RÉARM. MANUEL (*)	No.
8	00001679		CAVO ALIMENTAZIONE 5G 4	POWER CABLE 5G 4	CABLE D'ALIMENTATION 5G 4	No.
9	00000394		ELETTRIVALV. SING. 90° 230V (*)	SINGLE SOLEN. VALVE 90° 230V (*)	ELECTROV. UNIQUE 90° 230V (*)	No.
10	00014349		SUPPORTO DOSATORI TERMOSTATI	DETERGENT DISPENSER SUPPORT	DOSEUR SOUTIEN	No.
11	00000359		TERMOSTATO DA 0 A 90°C (*)	WORKING THERMOSTAT 0-90°C (*)	THERM. DE TRAVAIL 0-90°C (*)	No.
12	00017093		TIMER ELETTRONICO MULTIFUNZIONE (*)	MULTIFUNCTION ELECTRONIC TIMER (*)	MINUTERIE ÉLECTRONIQUE MULTI TEMPS (*)	No.
13	00005140		TELERUTTORE 230V 50/60Hz (*)	CONTACTOR 230V 50-60Hz (*)	TELERUPETUR 230V 50-60Hz (*)	No.
14	4016-0001		TELERUTTORE BF26 230 45	CONTACTOR BF26 230 45	TELERUPETUR BF26 230 45	No.
15	4055-0001		MORSETTIERA FV122 40A 450V	TERMINAL BOARD FV122 40A 450V	BLOC TERMINAL FV122 40A 450V	No.
16	00002779		FILTRO ANTIDISTURBO 0,47 uF	FILTER 0,47 uF	FILTRE ANTIPARASITE 0.47 uF	No.
17	00004375		TELERUTTORE 230V 50Hz BF09 4.2kW	CONTACTOR 230V 50Hz BF09 4.2kW	TELERUPETUR 230V 50Hz BF09 4.2kW	No.
18	3024-0001		SCATOLA QUADRO ELETTRICO	WIRING METAL BOX	BOÎTE ÉLECTRIQUE	No.
19	3022-0004		PANNELLO CHIUSURA SCATOLA ELETTRICA	WIRING METAL BOX COVER	COUVERTURE BOÎTE ÉLECTRIQUE	No.
20	00016037		PRESSOSTATO LIVELLO 125/45 (*)	PRESSURE SWITCH 125/45 (*)	PRESSOSTAT DE NIVEAU D'EAU 125/45 (*)	No.
21	00004913		TERMOSTATO BIMETALL. A R.M. (*)	MANUAL RESET SAFETY THERMOSTAT (*)	THERMOSTAT DE SECURITÉ À RÉARM. MANUEL (*)	No.
22	00016572		RESISTENZA 230V 6kW	RESISTANCE 230V 6kW	RÉSISTANCE 230V 6kW	No.
23	00014802		RESISTENZA 230V 9kW (OPT)	RESISTANCE 230V 9kW (OPT)	RÉSISTANCE 230V 9kW (OPT)	No.
24	00000057		OR PER FLANGIA BOILER (*)	OR FOR BOILER FLANGE (*)	OR POUR BRIDE DU CHAUD. (*)	No.

(*) RICAMBI CONSIGLIATI / RECOMMENDED SPARE PARTS / PIECES DETACHEES RECOMMANDEES



OPTIONAL:

KIT POMPA AUMENTO PRESSIONE - cod. 00005819

KIT BOOSTER PUMP - cod. 00005819

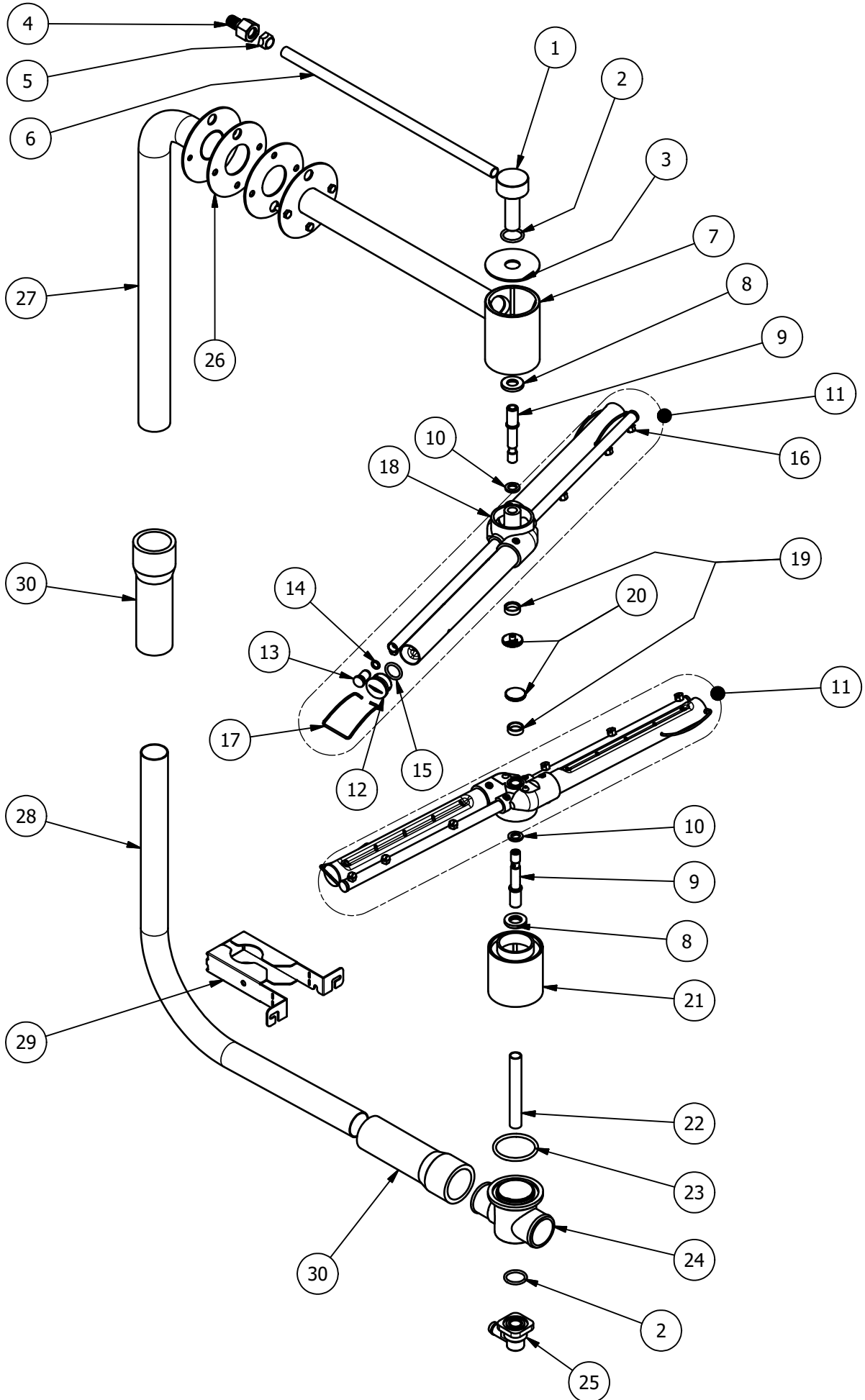
KIT POMPE AUGMENTATION PRESSION - cod. 00005819

REV.00
(08/2020)TYPE 3405-3410
COMPONENTI IDRAULICI - HYDRAULIC COMPONENTS - COMPOSANT HYDRAULIQUES

TAV.3_2

ELEM.	CODICE	DA/FROM MATR.	DESCRIZIONE	DESCRIPTION [EN]	DESCRIPTION [FR]	U.M.
1	00000139		TUBO CARICO L=2000mm	WATER INLET HOSE L=2000mm	TUYAU D'ENTRÉE L=2000mm	No.
2	8309-0001		ASS. BOILER 8L	8L BOILER ASSY	ENS. DU CHAUDIÈRE 8L	No.
3	00015380		COIBENTAZIONE BOILER	BOILER INSULATION BAND	ISOLATION DE LA CHAUDIÈRE	No.
4	00000203		DADO PILETTA	DRAIN SCREW	ÉCROU TASSE D'ÉCHAPP.	No.
5	00017156		FILTRO GRUPPO FILTR.	FILTER OF FILT. GROUP	FILTRE CUVE	No.
6	00017157		GHIERA GRUPPO FILTR.	THREADED RING	BAGUE POUR FILTRE	No.
7	00017159		PILETTA DI SCARICO	DRAIN	TASSE D'ÉCHAPPEMENT	No.
8	00017158		POZZETTO SCARICO	EXHAUST COCKPIT	PUITS DU FILTRE	No.
9	00000204		GUARNIZIONE POZZETTO	EXHAUST COCKPIT GASKET	JOINT DU Puits DU FILTRE	No.
10	00003535		GABBIA D'ARIA VASCA (*)	AIR TRAP (*)	TRAPPE D'AIR (*)	No.
11	00002934		OR 4081	OR 4081	OR 4081	No.
12	00015315		OR 4500	OR 4500	OR 4500	No.
13	00003536		DADO GABBIA D'ARIA	NUT FOR AIR TRAP	ÉCROU POUR TR. DE L'AIR	No.
14	000017178		GUARNIZIONE TROPPOPIENO	OVERFLOW GASKET	JOINT DU TROP PLEIN	No.
15	00017160		TROPPOPIENO VASCA	OVERFLOW	TROP PLEIN EN PLASTIQUE	No.
16	00002188		TUBO SCARICO L=2000mm	WATER OUTLET HOSE L=2000mm	TUYAU D'ENTRÉE L=2000mm	No.
17	00004120		DISTRIBUTORE 3 VIE	THREE-WAY DISTRIBUTOR	DISTRIBUTEUR TROIS VOIES	No.
18	00015237		POMPA LAV. 230V 50Hz 0.75 kW	W. PUMP 230V 50Hz 0.75 kW	POMPE DE LAV. 230V 50Hz 0.75 kW	No.
18A	00016655		POMPA LAV. 230V 60Hz 0.75 kW	W. PUMP 230V 60Hz 0.75 kW	POMPE DE LAV. 230V 60Hz 0.75 kW	No.
19	00015203		MANICOTTO MANDATA POMPA	INLET PUMP HOSE	TUYAU D'ENTRÉE A LA POMPE	No.
20	00015201		MANICOTTO ASPIRAZIONE POMPA	OUTLET PUMP HOSE	TUYAU DU SORTIE DA LA POMPE	No.
21	00015199		SUPP. POMPA LAVAGGIO	WASHING PUMP SUPP.	SUPP. DU LA POMPE	No.
22	00002933		TUBO TENUTA GABBIA D'ARIA	AIR TRAP JUNCTION	JONC. POUR TRAPPE D'AIR	No.
23	00000388		FASCETTA BIFIL. Ø14.4X15.1	CLAMP Ø14.4X15.1	COLLIER Ø14.4X15.1	No.
24	00002927		RACCORDO ANTICONDENSA	FITTING	RACCORD ANTI-COND.	No.
25	00000391		FASCETTA BIFIL. Ø19.6x20.6	CLAMP Ø19.6x20.6	COLLIER Ø19.6x20.6	No.
26	00002802		CORPO VALVOLA ANTIRIF.	NO RETURN VALVE BODY	CORPS VANNE ANTI REFLUX	No.
27	00000144		SFERA 5/8" PTFE (*)	SPHERE 5/8" PTFE (*)	BALLE 5/8" PTFE (*)	No.
28	00003086		GUARNIZIONE GOMMA	RUBBER GASKET	JOINT	No.
29	00000123		OR 115	OR 115	OR 115	No.
30	00002803		GHIERA VALVOLA ANTIRIF.	NO RETURN VALVE RING NUT	ECROU CLAPET ANTI-RETOUR	No.
31	00016213		COP. VALVOLA ANTIRIF.	COVER NO RETURN VALVE	COUV. CLAPET ANTI-RETOUR	No.
32	00004316		CURVA 90°	90° BEND	COURBE 90°	No.
33	2015-0001		RACC. RIDUZIONE 3/4 M 3/8 M	REDUC. 3/4 M 3/8 M	REDUC. 3/4 M 3/8 M	No.
34	00001387		RACCORDO	FITTING	RERÉDUCTION	No.
35	00000380		POMPA AUM. PRESS. 230V 50Hz	BOOSTER PUMP 230V 50Hz	POMPE AUGM. PRESS. 230V 50Hz	No.
35A	00004951		POMPA AUM. PRESS. 230V 60Hz	BOOSTER PUMP 230V 60Hz	POMPE AUGM. PRESS. 230V 60Hz	No.
36	00005314		CAVO POMPA SUPPLEMENTARE	BOOSTER PUMP WIRING	CABLAGE POMPE AUGM. PRESS	No.

(*) RICAMBI CONSIGLIATI / RECOMMENDED SPARE PARTS / PIECES DETACHEES RECOMMANDEES



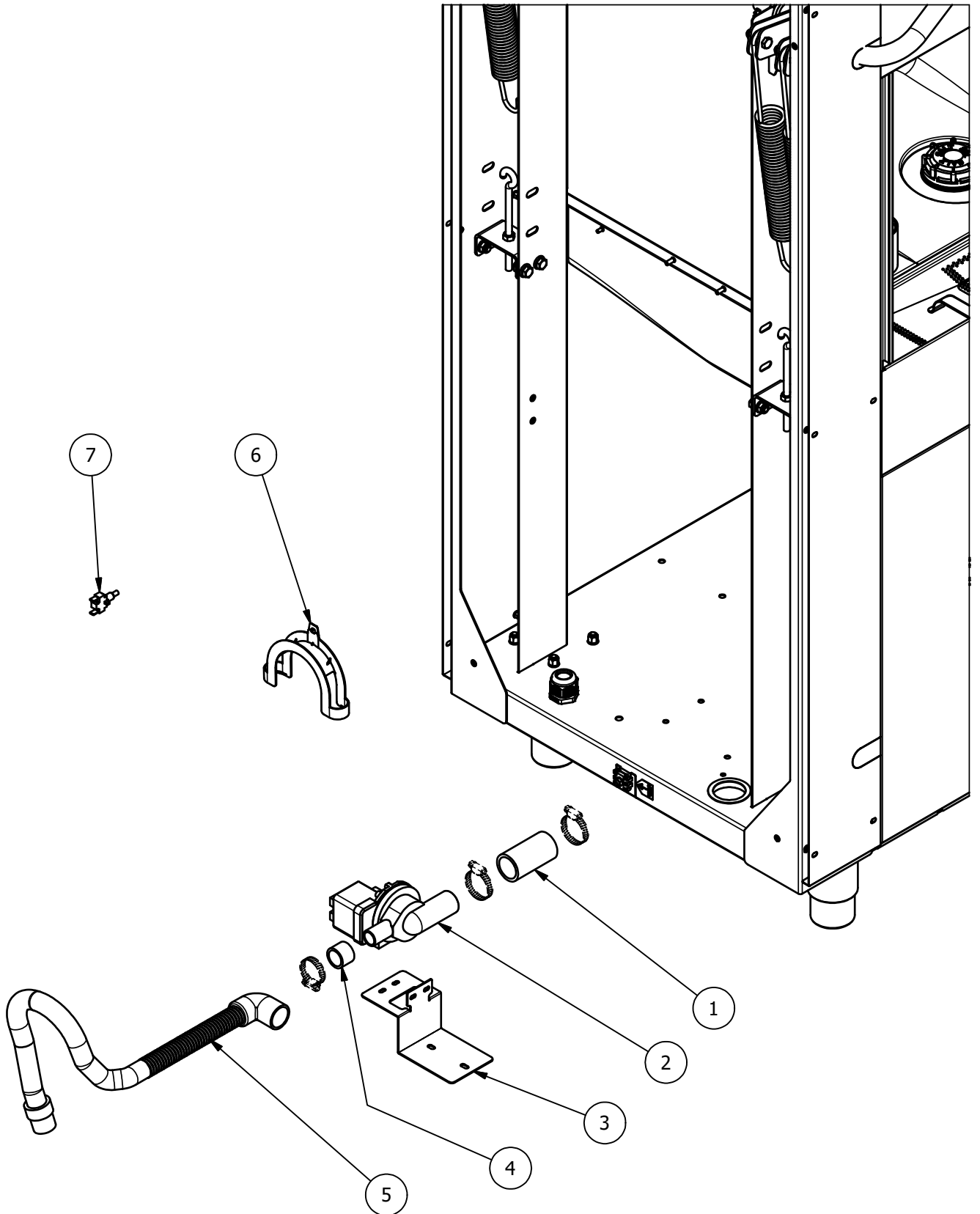
REV.00
(08/2020)

TYPE 3405-3410
BRACCI DI LAVAGGIO/RISCIACQUO - WAS/RINSE ARMS - BRAS DE LAVAGE/RINCAGE

TAV.4_2

ELEM.	CODICE	DA/FROM MATR.	DESCRIZIONE	DESCRIPTION [EN]	DESCRIPTION [FR]	U.M.
1	3065-0009		RACCORDO A 90°	90° ELBOW	RACCORD 90°	No.
2	00000025		OR128	OR128	OR128	No.
3	00014371		DISCO FONDELLO COPRITIRANTE	WASHER	RONDELLE	No.
4	00011992		RACCORDO PER TIRANTE INOX	SS TENSIONER CONNECTION	RACCORD EN INOX POUR TIRANT	No.
5	00003265		DADO M12x1	NUT M12x1	ÉCROU M12x1	No.
6	00014376		TUBO RISCIACQUO SUP.	UPPER RINSE PIPE	TUYAU SUP. DU RINCAGE	No.
7	00014379		ASS. RAMPA DI LAVAGGIO	WASHING PIPE ASSY	ENS. DE TUBES DE LAVAGE	No.
8	00004671		RONDELLA DI APPOGGIO	SUPPORTING WASHER	RONDELLE DE SUPPORT	No.
9	00002153		FULCRO INOX CROCIERA	SS WASHING SHAFT PIN	AXE BRAS LAVAGE INOX	No.
10	00001173		RONDELLA PER GIRANTE (*)	WASHING ARM WASHER (*)	RONDELLE POUR BRAS DE LAVAGE (*)	No.
11	8304-0001		ASS. GIRANTE LAVAGGIO	WASHING ARM	BRAS DE LAVAGE	No.
12	00002650		TAPPO TUBI LAVAGGIO (*)	WASHING ARM CAP (*)	BOUCH. BRAS DE LAVAGE (*)	No.
13	00002502		TAPPO RISCIACQUO (*)	RINSE ARM PLUG (*)	BOUCHON BRAS DE RINCAGE (*)	No.
14	00002531		OR 106	OR 106	OR 106	No.
15	00000093		OR 121	OR 121	OR 121	No.
16	00017155		UGELLO RISCIACQUO INOX	RINSE NOZZLE	GICLEUR RINCAGE	No.
17	00002654		MOLLA AD ARCHETTO	SPRING	RESSORT	No.
18	00001954		DISTRIBUTORE 4RP (*)	CONNECTOR (*)	CONNECTEUR (*)	No.
19	00002808		ANELLO PTFE (*)	PTFE RING (*)	JOINT EN PTFE (*)	No.
20	00001133		VITE INOX GODRONATA (*)	S.S. KNURLED SCREW (*)	VIS INOX GODRONNE (*)	No.
21	00014385		COPRITIRANTE	COVER	COUVRE-TIRANT	No.
22	00010740		TIRANTE INFERIORE	FIXING PART	TIRANT INFERIEUR	No.
23	00001633		OR147	OR147	OR147	No.
24	00002149		DISTRIBUTORE DOPPIO LAVAGGIO	DOUBLE WASH DISTRIBUTOR	DISTRIBUTEUR DOUBLE LAVAGE	No.
25	00010620		RACCORDO 90° M13x1	90° M13x1 CONNECTION	RACCORD 90° M13x1	No.
26	00010955		GUARNIZIONE FLANGIA LAVAGGIO	GASKET FOR WASHING FLANGE	JOINT PUOR TUBES DE LAVAGE	No.
27	00010953		ASS. RAMPA POST. SUPERIORE	REAR SUP. WASHING PIPE ASSY	ENS. DE TUBES DE LAVAGE SUP.	No.
28	00014732		RAMPA DI LAVAGGIO	WASHING PIPE	TUBES DE LAVAGE	No.
29	00015381		SUPP. RAMPA LAVAGGIO	WASHING PIPE SUPPORT	SUPP. TUBES DE LAVAGE	No.
30	00003072		MANICOTTO	HOSE	TUYAU	No.

(*) RICAMBI CONSIGLIATI / RECOMMENDED SPARE PARTS / PIECES DETACHEES RECOMMANDEES



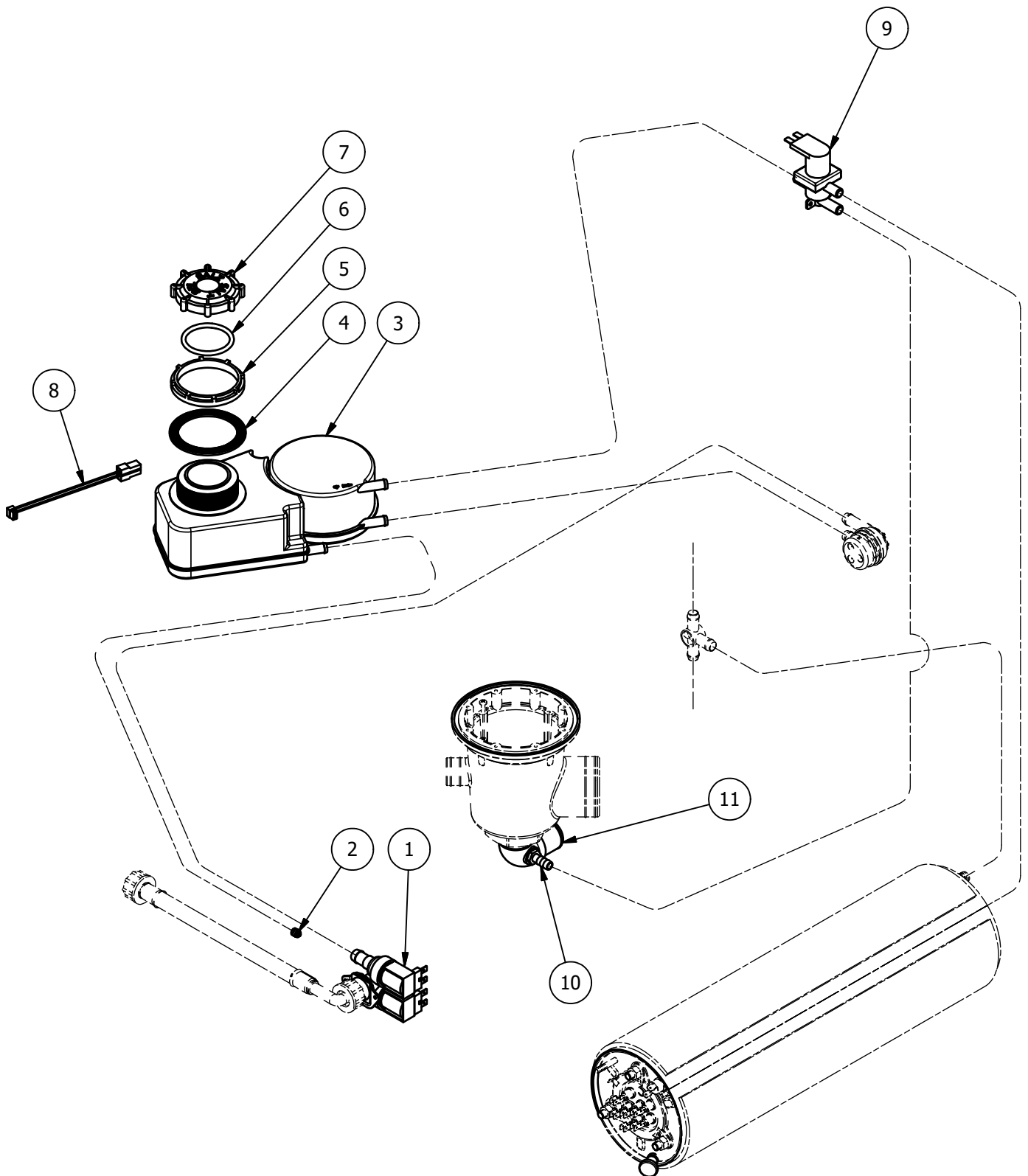
REV.00
(08/2020)

TYPE 3405-3410
KIT POMPA DI SCARICO - KIT DRAIN PUMP - KIT POMPE DE VIDANGE

TAV.5_2

ELEM.	CODICE	DA/FROM MATR.	DESCRIZIONE	DESCRIPTION [EN]	DESCRIPTION [FR]	U.M.
1	00003072		MANICOTTO	HOSE	TUYAU	No.
2	00000379		POMPA DI SVUOTAMENTO 230V 50Hz (*)	DRAIN PUMP 230V 50Hz (*)	POMPE DE VIDANGE 230V 50Hz (*)	No.
2A	6006-0002		POMPA DI SVUOT. 230V 60Hz (*)	DRAIN PUMP 230V 60Hz (*)	POMPE DE VIDANGE 230V 60Hz (*)	No.
3	00014606		SUPPORTO POMPA SCARICO	DRAIN PUMP SUPPORT	SUPPORT DU POMPE DE VIDANGE	No.
4	3040-0002		TUBO EPDM	EPDM HOSE	TUYAU EN EPDM	No.
5	0271500002		TUBO SCARICO L= 2500 mm	DRAIN HOSE L= 2500 mm	TUYAU D'ÉCHAPPEMENT L= 2500 mm	No.
6	00016395		CURVA SUPPORTO TUBO SCARICO	DRAIN HOSE SUPPORT	SUPPORT DU TUYAU D'ÉCHAPPEMENT	No.
7	00004322		PULSANTE CM-NA (*)	CM-NO PUSH BUTTON (*)	CM-NO BOUTON (*)	No.

(*) RICAMBI CONSIGLIATI / RECOMMENDED SPARE PARTS / PIECES DETACHEES RECOMMANDEES



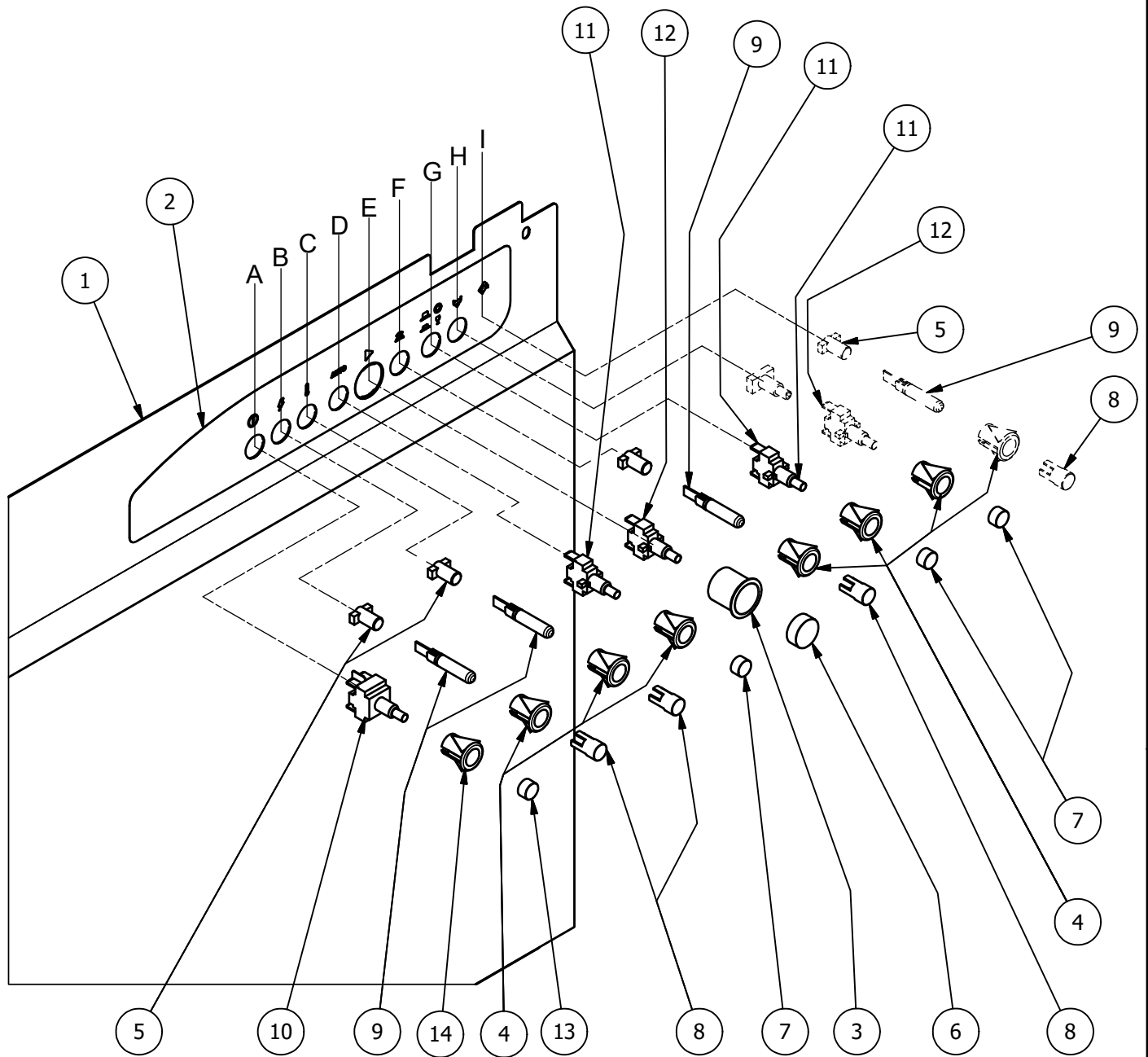
REV.00
(08/2020)

TYPE 3405-3410
ADDOLCITORE - WATER SOFTNER - ADOUCISSEUR

TAV.6_2

ELEM.	CODICE	DA/FROM MATR.	DESCRIZIONE	DESCRIPTION [EN]	DESCRIPTION [FR]	U.M.
1	2017-0001		ELETTROVALVOLA DOPPIA 90° 230V 50/60 Hz (*)	SOLENOID VALVE 90° 230V 50/60 Hz (*)	ÉLECTROVANNE 90° 230V 50/60 Hz (*)	No.
2	00006524		RIDUTTORE DI PORTATA USCITA 0.5 L/MIN	FLOW REDUCER 0.5 L/MIN	RÉDUCTEUR DE DÉBIT 0.5 L/MIN	No.
3	00017209		ASS. ADDOLCITORE AUTOMATICO	AUTOM. WATER SOFTNER ASSY	ENS. DU L'ADOU CISSEUR	No.
4	00006152		GUARNIZIONE	GASKET	JOINT	No.
5	2019-0001		GHIERA ADDOLCITORE	THREADED RING OF WATER SOFTNER	BAGUE POUR L'ADOU CISSEUR	No.
6	2060-0004		OR TAPPO ADDOLCITORE	CAP OR	OR DU CAP	No.
7	2006-0001		TAPPO ADDOLCITORE	WATER SOFTNER CAP	CAP DU L'ADOU CISSEUR	No.
8	4040-0003		CAVO COLLEGAMENTO ADDOLCITORE AUTOMATICO	WATER SOFTNER CONNECTION CABLE	CÂBLAGE DU L'ADOU CISSEUR	No.
9	00015785		ELETTROV. DOPPIA USCITA (*)	SOLENOID VALVE DOBLE EXIT (*)	ÉLECTROVANNE À DOUBLE SORTIE (*)	No.
10	00017298		PORTAGOMMA INOX 1/4"	SS FITTING 1/4"	RACCORD INOX 1/4"	No.
11	00017299		PILETTA DI SCARICO	DRAIN CUP	TASSE D'ÉCHAPPEMENT	No.

(*) RICAMBI CONSIGLIATI / RECOMMENDED SPARE PARTS / PIECES DETACHEES RECOMMANDEES



A	ON-OFF	ON-OFF	ON-OFF
B	LAMPADA SPIA PRES. TENSIONE	LIGHT: THE MACHINE IS WORKING	LAMPE TEMOIN: MACHINE EN MARCHÉ
C	LAMPADA SPIA MACCHINA PRONTA	LIGHT: MACHINE READY TO WASHING	LAMPE TEMOIN: MACHINE PRETE
D	PARTENZA AUTOMATICA CICLO	AUTOM. START CYCLE	DEMARRAGE DU LAVAGE AUTOM.
E	STAR CICLO	START CYCLE	DEMARRAGE DU LAVAGE
F	LAMPADA SPIA CICLO	LIGHT: TURNS ON DURING THE CYCLE	LAMPE TEMOIN: MACHINE EN LAVAGE
G	SELETTORE CICLO	CYCLE SELECTOR	SELECTION DU CYCLE
H	POMPA DI SCARICO (OPT)	DRAIN PUMP BUTTON (OPT)	BOUTON POMPE DE VIDANGE (OPT)
I	LAMPADA SPIA PRES. SALE (OPT)	LIGHT: NO SALT INDICATOR (OPT)	LAMPE TEMOIN: ABSENCE DE SEL (OPT)

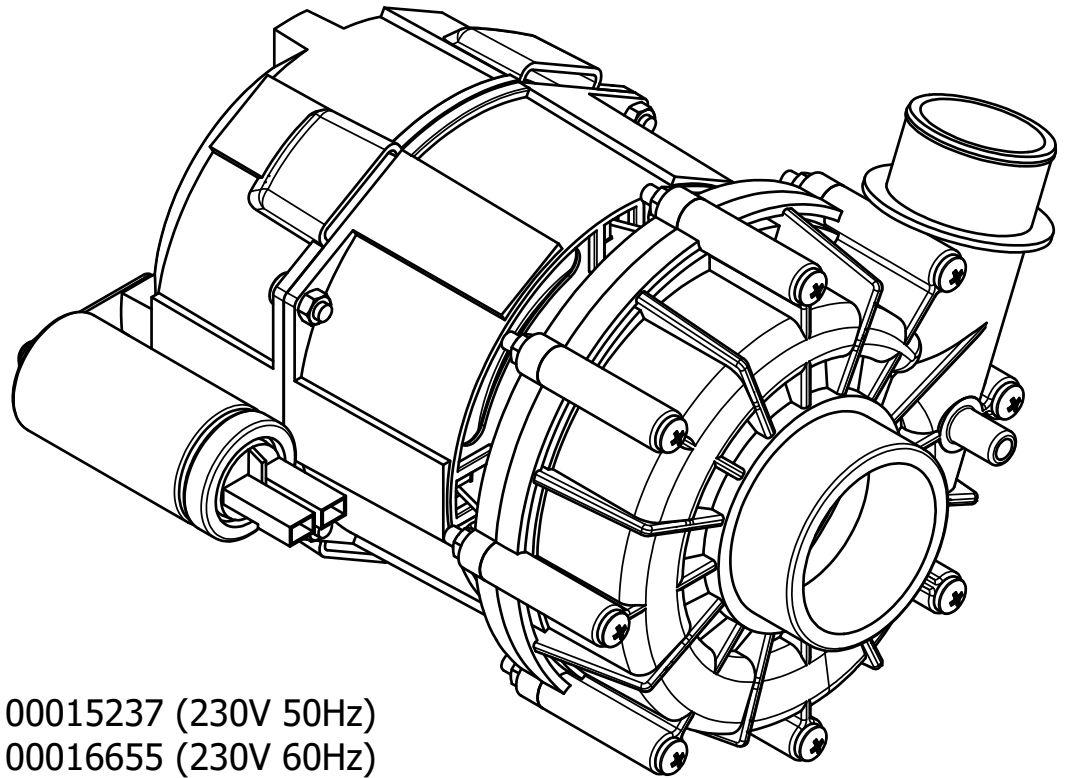
REV.00
(08/2020)

TYPE 3405-3410
PANNELLO COMANDI - FRONT PANEL - PANNEAU DE CONTROLE

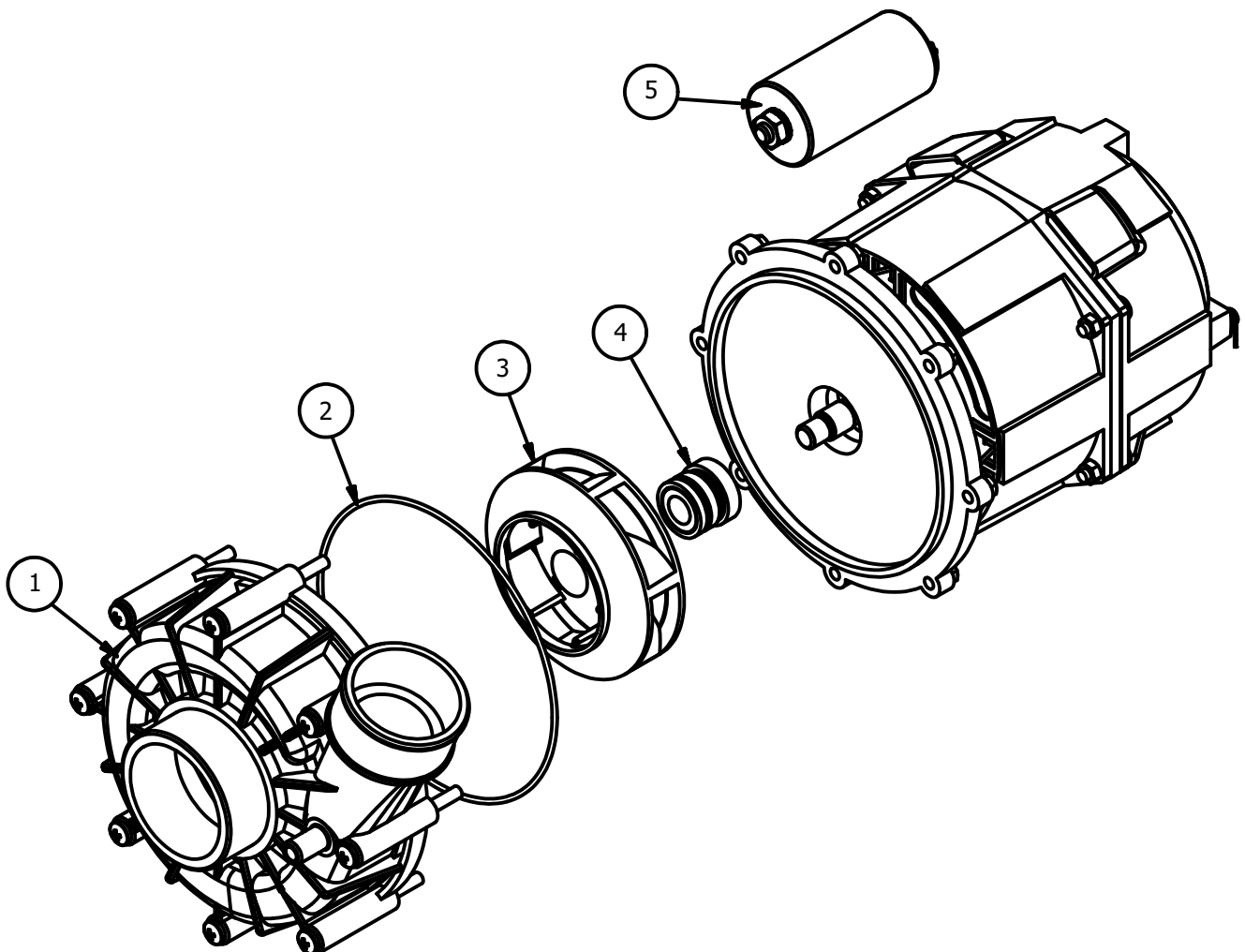
TAV.7_2

ELEM.	CODICE	DA/FROM MATR.	DESCRIZIONE	DESCRIPTION [EN]	DESCRIPTION [FR]	U.M.
1	3013-0007		PANNELLO FRONTALE	FRONT PANEL	PANNEAU AVANT	No.
2	3501-0061		MEMBRANA AUTOADESIVA	ADHESIVE LABEL	MEMBRANE ADHÉSIVE	No.
3	2005-0001		SUPPORTO D.25 BLU	D.25 BLUE SUPPORT	D.25 SUPPORT BLEU	No.
4	00017650		SUPPORTO D.16 GRIGIO SCURO	D.16 DARK GREY SUPPORT	D.16 SUPPORT GRIS FONCÉ	No.
5	00004045		STRUTTURA GUIDA (*)	LIGHT INDICATOR HOLDER (*)	SUPPORT D'IND. LUMINEUX (*)	No.
6	2010-0001		TASTO GOFFRATO D.25 BLU	D.25 BLUE EMBOSSED BUTTON	D.25 BOUTON GAUFRÉ BLEU	No.
7	00017649		TASTO GOFFRATO D.16 GRIGIO SCURO	D.16 DARK GREY EMBOSSED BUTTON	D.16 BOUTON GAUFRÉ GRIS FONCÉ	No.
8	00004049		GEMMA NEUTRA	NEUTRAL COVER FOR LAMP	COUVERTURE TRANSPAR.	No.
9	00004051		LAMPADA TRASPARENTE 230V (*)	230V TRANSPARENT IND. LIGHT (*)	230V INDICATEUR TRANSPARENT (*)	No.
10	00004323		INTERRUTTORE CM-NA BIPOLARE (*)	CM-NO TWO POLE SWITCH (*)	CM-NO COMMUTATEUR BIPOLAIRE (*)	No.
11	00006992		PULSANTE CM-NA (*)	CM-NO PUSH BUTTON (*)	CM-NO BOUTON (*)	No.
12	00004322		PULSANTE CM-NA (*)	CM-NO PUSH BUTTON (*)	CM-NO BOUTON (*)	No.
13	00017777		TASTO GOFFRATO D.25 GRIGIO SCURO	D.25 DARK GREY EMBOSSED BUTTON	D.25 BOUTON GAUFRÉ GRIS FONCÉ	No.
14	00017778		SUPPORTO D.25 GRIGIO SCURO	D.25 DARK GREY SUPPORT	D.25 SUPPORT GRIS FONCÉ	No.

(*) RICAMBI CONSIGLIATI / RECOMMENDED SPARE PARTS / PIÉCES DÉTACHÉES RECOMMANDÉES



COD. 00015237 (230V 50Hz)
COD. 00016655 (230V 60Hz)



REV.02
(08/2020)

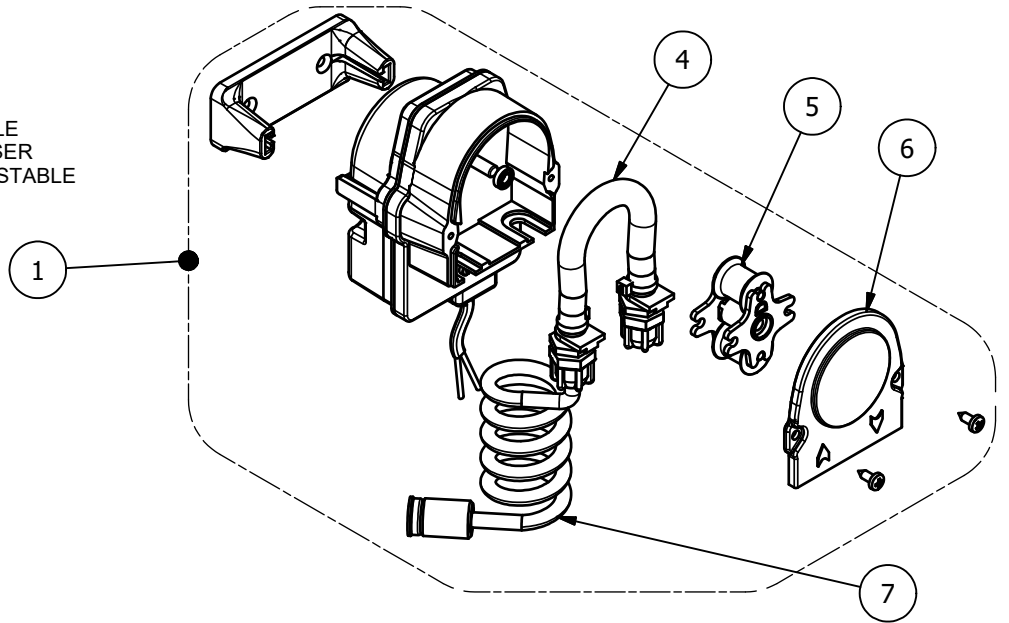
TYPE 3405-3410
POMPA DI LAVAGGIO - WASHING PUMP - POMPE DE LAVAGE

TAV.8_2

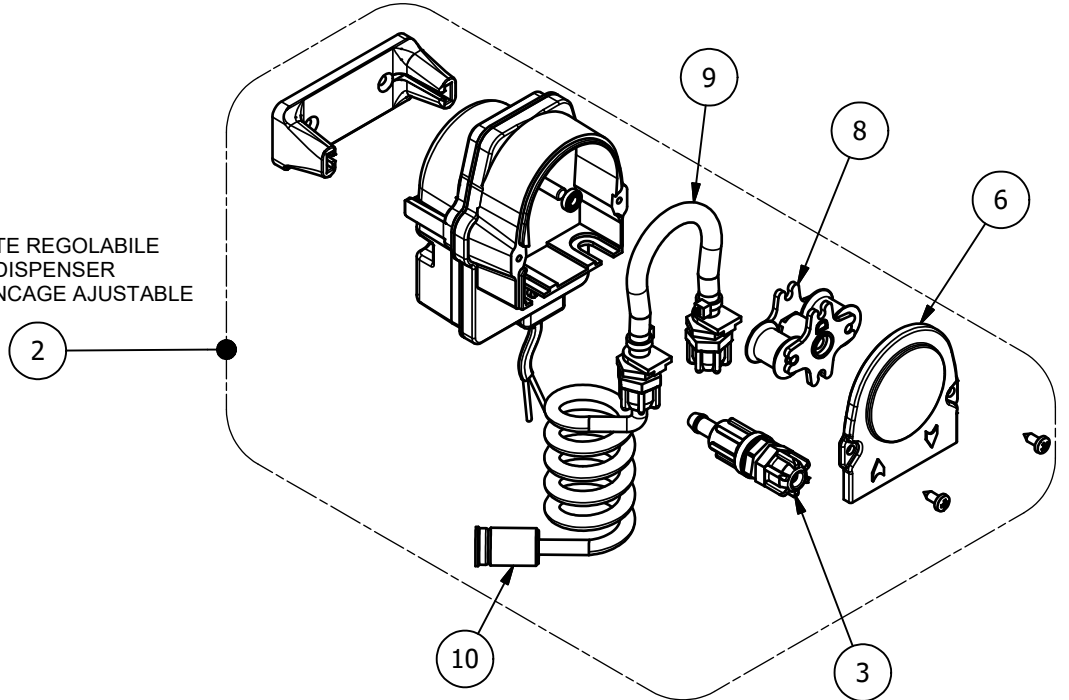
ELEM.	CODICE	DA/FROM MATR.	DESCRIZIONE	DESCRIPTION [EN]	DESCRIPTION [FR]	U.M.
1	00016750		CHIOCCIOLA	PUMP CASE	CARTER POUR POMPE	No.
2	00016747		GUARNIZIONE	GASKET	JOINT	No.
3	00016748		GIRANTE PER POMPA 50Hz	IMPELLER FOR 50Hz PUMP	ROUE POUR 50hZ POMPE	No.
3A			GIRANTE PER POMPA 60Hz	IMPELLER FOR 60Hz PUMP	ROUE POUR 60hZ POMPE	No.
4	00014564		KIT TENUTA ROTANTE	SEAL KIT	KIT D'ÉTANCHÉITÉ	No.
5	2080-0001		CONDENSATORE 12.5uF	CAPACITOR 12.5uF	CONDENSATEUR 12.5uF	No.

(*) RICAMBI CONSIGLIATI / RECOMMENDED SPARE PARTS / PIECES DETACHEES RECOMMANDEES

DOSATORE DETERSIVO REGOLABILE
ADJUSTABLE DETERGENT DISPENSER
DOSEUR PRODUIT DE LAVAGE AJUSTABLE



DOSATORE BRILLANTANTE REGOLABILE
ADJUSTABLE RINSE-AID DISPENSER
DOSEUR PRODUIT DE RINCAGE AJUSTABLE



REV.00
(08/2020)

TYPE 3405-3410

DOS. DET. E BRILL. - DETERG. AND RINSE-AID DISPENSER - DOS. PRODUIT DE LAV. ET RINC.

TAV.9_2

ELEM.	CODICE	DA/FROM MATR.	DESCRIZIONE	DESCRIPTION [EN]	DESCRIPTION [FR]	U.M.
1	00016163		ASS. DOS.DETER. ELETTR. REGOL. 0-3Lt/h	ADJUSTABLE DETERG. DISPENSER 0-3Lt/h	DOSEUR PRODUIT DE LAV. AJUSTABLE 0-3Lt/h	No.
2	8395-0024		ASS. DOS. BRILL. ELETTR. REGOL. 0-0,5Lt/h	ADJUSTABLE RINSE AID DISPENSER 0-0,5Lt/h	DOSEUR RINCAGE AJUSTABLE 0-0,5Lt/h	No.
3	2018-0001		ASS. VALVOLA DI NON RITORNO DOS. BRILL. (*)	NON RETURN VALVE FOR RINSE AID DISP. (*)	ENS. DU VANNE ANTI-RETOUR POUR RINCAGE (*)	No.
4	00017128		TUBO INTERNO DOSAT. DETERSIVO (*)	INTERNAL DETERG. DISPENSER HOSE (*)	TUBE INTERNE POUR DOSEUR PRODUIT DE LAV. (*)	No.
5	00006632		ASS. PORTARULLI DOS. DETERSIVO (*)	DETERGENT DISPENSER ROLL HOLDER ASSY (*)	ENSEMBLE SUPPORT DE ROULEAU DOSEUR PRODUIT DE LAV. (*)	No.
6	8395-0013		COPERCHIO DI CHIUSURA	COVER ASSY	COUVERTURE DE FERMETURE	No.
7	00005069		ASS. FILTRO DOSAT. DETERS. CON TUBO	DETERG. DISPENS. FILTER ASSY	ENS. DU FILTRE DU DOSEUR PRODUIT DE LAV. AVEC TUBE	No.
8	8395-0014		ASS. PORTARULLI DOS. BRILL. (*)	RINSE AID DISPENSER ROLL HOLDER ASSY (*)	ENSEMBLE SUPPORT DE ROULEAU DOSEUR RINC. (*)	No.
9	00017129		TUBO INTERNO DOSAT. BRILLANTANTE (*)	INTERNAL RINSE AID DISPENSER HOSE (*)	TUBE INTERNE POUR DOSEUR RINCAGE (*)	No.
10	00005070		ASS. FILTRO DOSAT. BRILL. CON TUBO	RINSE AID DISPENS. FILTER ASSY	ENS. DU FILTRE DU DOSEUR RINCAGE AVEC TUBE	No.

(*) RICAMBI CONSIGLIATI / RECOMMENDED SPARE PARTS / PIECES DETACHEES RECOMMANDEES