
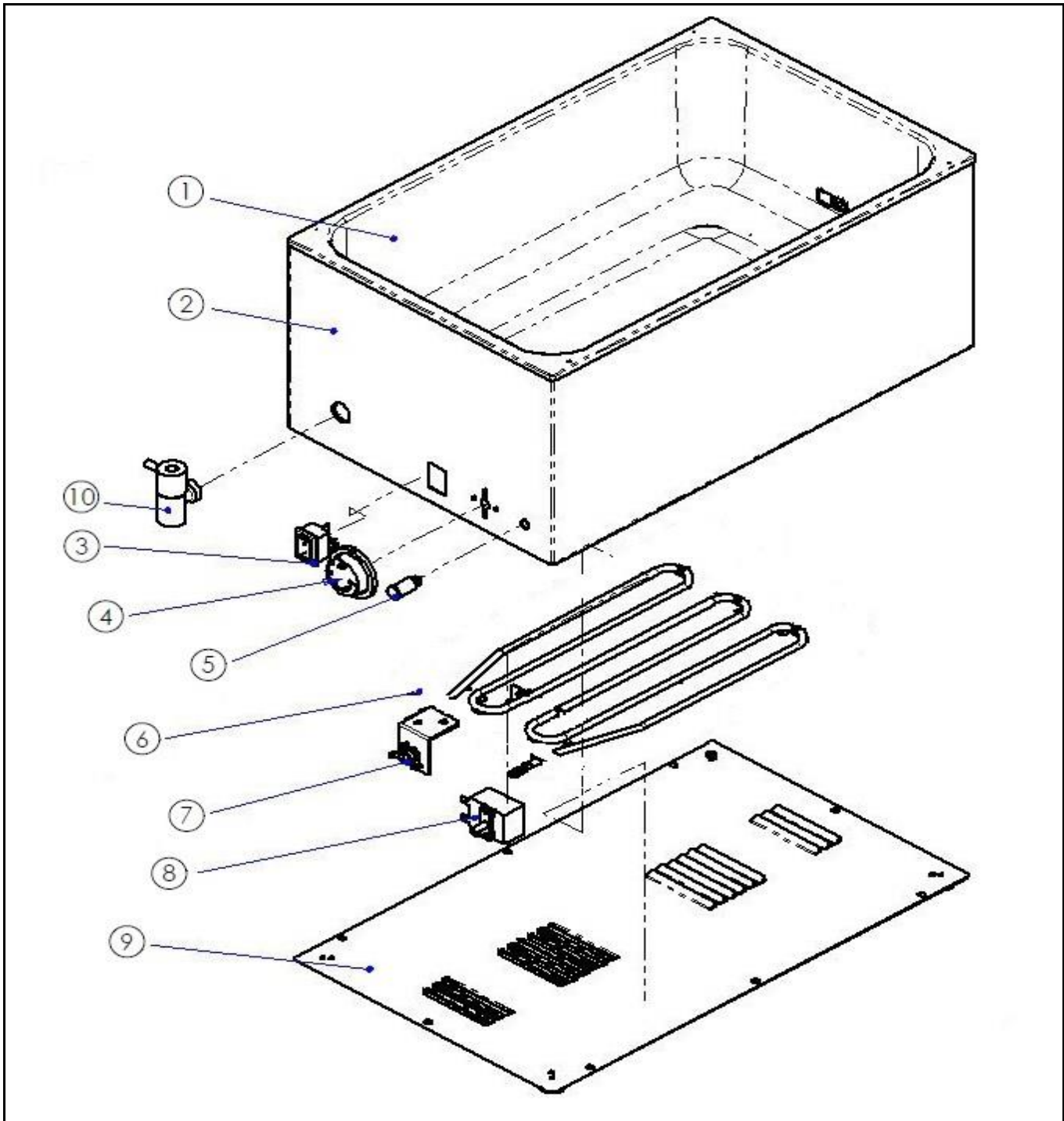



Drawing

 HENDI FOOD SERVICE EQUIPMENT	Batch #	Appliance part#
	500802 and up	238912
	Description	
	Description	

Date	22-02-2016	Revision #	Revision version #
Revision	New model.		



Bill of materials (BOM)

 Hendi B.V. Steenoven 21 3911 TX Rhenen The Netherlands	Batch #	Appliance part#
	500802 and up	238912
	Description	


Date	22-02-2016	Revision #	Revision version #
Revision	New model.		

Item	Description	Part#	Quantity	Remark	Picture
1	Bin	n/a	1		
2	Frame	n/a	1		
3	Switch	205426	1		
4	Knob with groundplate	935422	1		
5	Indicator light	935439	1		
6	Element 1200W	900642	1		
7	Hi-Limiter	935446	1		
8	Thermostat	900635	1		
9	Bottom cover	n/a	1		
10	Faucet	915608	1		

n/a -> not available

nss -> not sold separately

Wiring diagram

 <b style="font-size: 2em; font-weight: bold; color: red;">HENDI FOOD SERVICE EQUIPMENT Hendi B.V. Steenoven 21 3911 TX Rhenen The Netherlands	Batch #	Appliance part#
	500802 and up	238912
	Description	

Date	22-02-2016	Revision #	Revision version #
Revision			

