

Drawing



Tools for Chefs

Hendi B.V.  
Steenoven 21  
3911 TX Rhenen  
The Netherlands

Batch #

000000 and up

Appliance part#

282748

Description

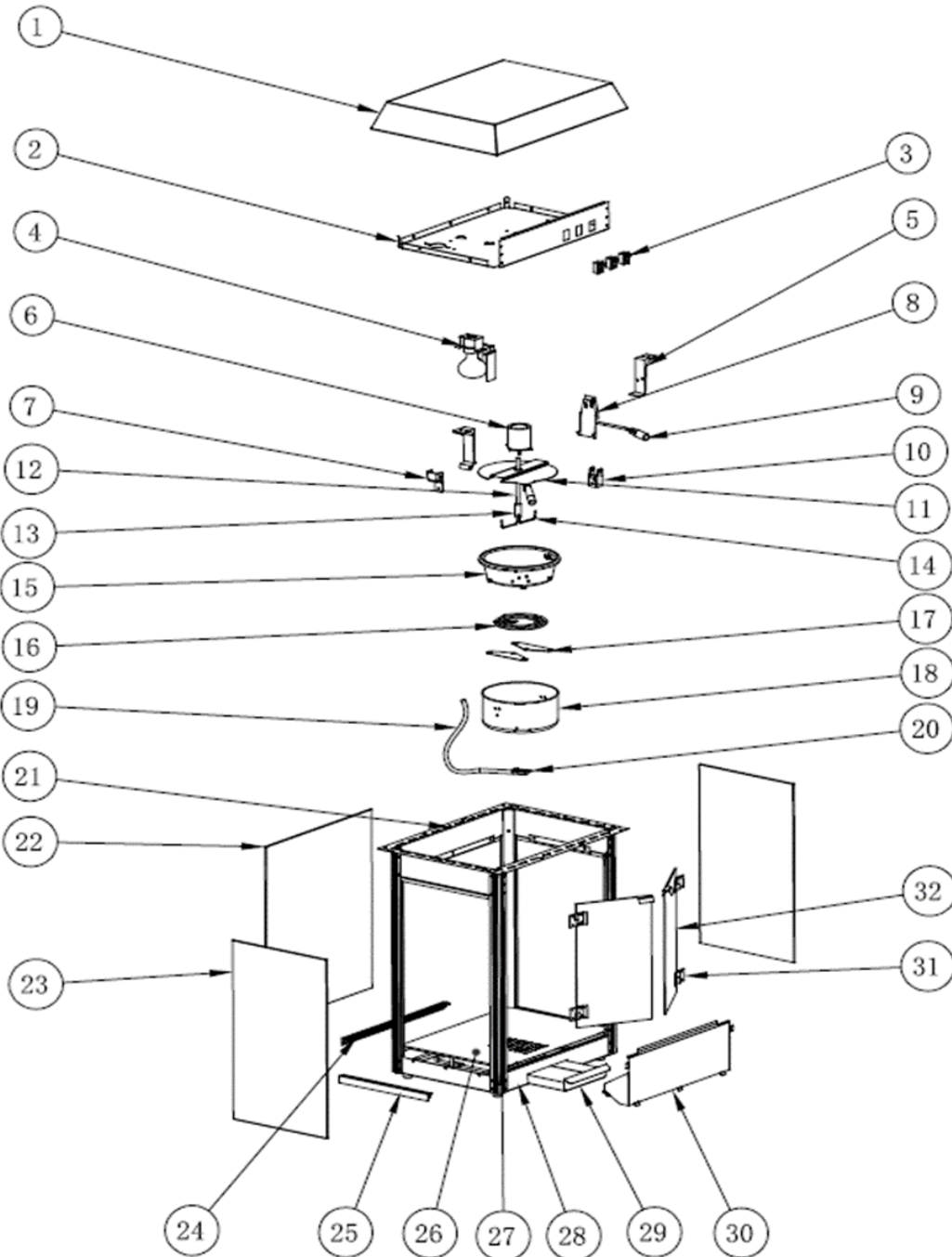
Popcorn machine

Date 02-05-2023


Revision #

1.0

Revision First Bill of Materials (BOM)



## Bill of materials (BOM)

 <b style="font-size: 24px; margin-left: 10px;">HENDI</b> <small style="color: green; margin-left: 10px;">Tools for Chefs</small> <b>Hendi B.V.</b> Steenoven 21 3911 TX Rhenen The Netherlands	<b>Batch #</b>	<b>Appliance part#</b>
	000000 and up	<b>282748</b>
	<b>Description</b>	
<b>Popcorn machine</b>		


<b>Date</b>	02-05-2023	<b>Revision #</b>	1.0
<b>Revision</b>	First Bill of Materials (BOM)		

Item	Description	Part#	Quantity	Remark	Picture
1	Upper cover	n/a	1		
2	Upper bracket	n/a	1		
3	Switch	960578	4		
4	Lamp assembly	963203	1		
5	Kettle hinge	960653	2		
6	Motor	960646	1		
7	Kettle hinge lock	960660	1		
8	Kettle support	n/a	2		
9	Kettle handle	n/a	1		
10	Kettle lock	n/a	1		
11	Kettle lid	n/a	1		
12	Stirrer arm base	n/a	1		
13	Stirrer arm assembly	960677	1	Incl. item 14	
14	Stirrer blade	nss	1	Available as 13	
15	Aluminum kettle	957042	1		
16	Heating element	960684	1		
17	Heating element cover	n/a	2		
18	Kettle cover	n/a	1		
19	Metal tube	n/a	1		
20	Metal tube bracket	n/a	1		
21	Frame	n/a	1		
22	Glass (back)	n/a	1		
23	Glass (sides)	n/a	1		
24	Glass bracket (back)	n/a	1		
25	Glass bracket (sides)	n/a	1		
26	Bottom cover	n/a	1		
27	Frame pillar	n/a	4		
28	Bottom frame	n/a	1		
29	Kernel tray	960691	1		
30	Door bracket	n/a	1		
31	Door hinge	960707	4		
32	Door	960714	2		
*	Heating element (keep warm)	960721	1	Not shown in drawing	
*	Fuse	960738	1	Not shown in drawing	

n/a -> not available

nss -> not sold separately

### Circuit diagram

 <b style="font-size: 24px; font-weight: bold;">HENDI</b> <span style="color: #808000; font-size: 12px;">Tools for Chefs</span> <b>Hendi B.V.</b> Steenoven 21 3911 TX Rhenen The Netherlands	<b>Batch #</b>	<b>Appliance part#</b>
	000000 and up	282748
	<b>Description</b>	
	Popcorn machine	

<b>Date</b>	02-05-2023	<b>Revision #</b>	1.0
<b>Revision</b>	First Bill of Materials (BOM)		

