

Drawing



Tools for Chefs

Hendi B.V.
 Steenoven 21
 3911 TX Rhenen
 The Netherlands

Batch #
 HK103220 and
 up

Appliance part#
 222843

Description

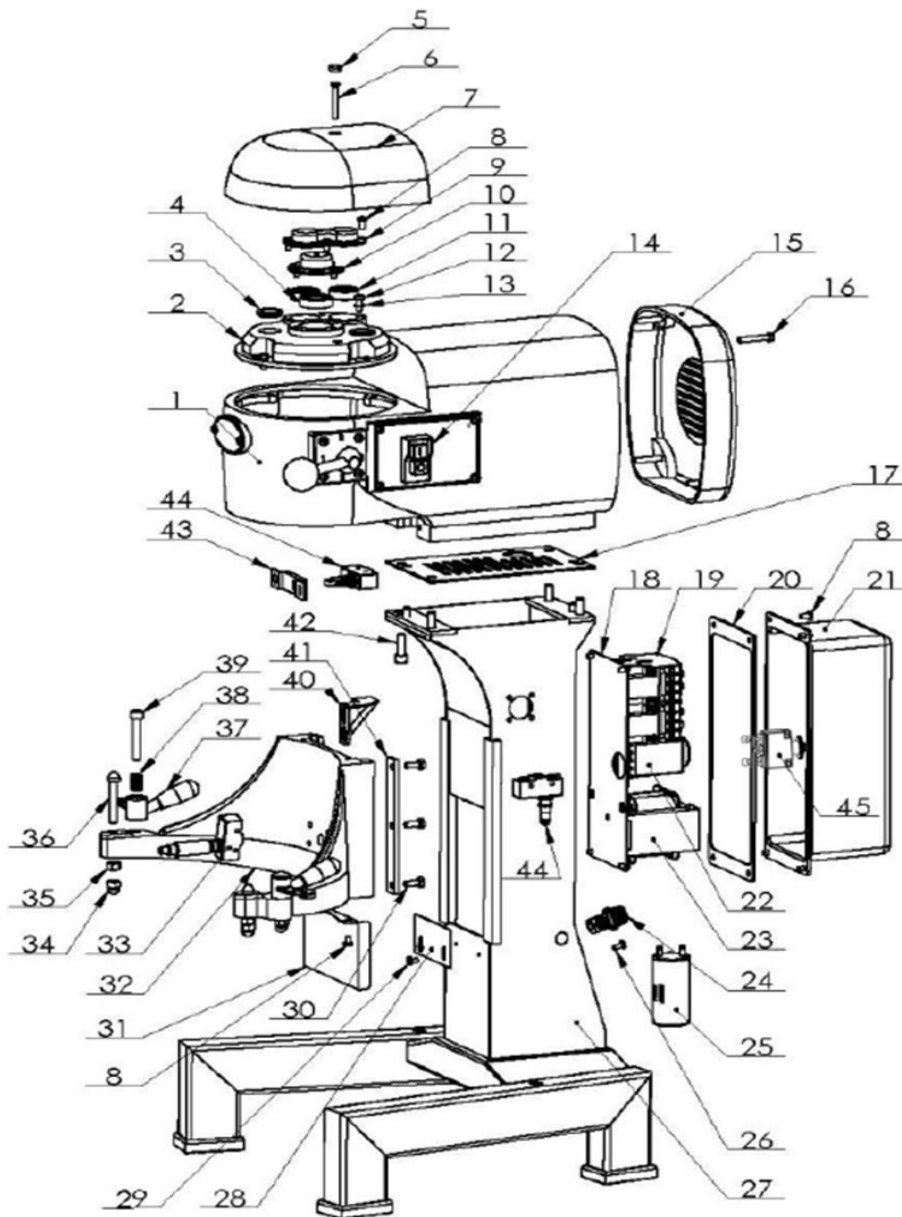
Heavy duty mixer 20L

Date 10-11-2021


Revision # 1.1

Revision Added bowlcradle cover.
 Bowlguard updated to separate structure.

Transmission case



Bill of materials (BOM)

 <b style="font-size: 24px; margin-left: 10px;">HENDI Tools for Chefs Hendi B.V. Steenoven 21 3911 TX Rhenen The Netherlands	Batch #	Appliance part#
	HK103220 and up	222843
	Description	
Heavy duty mixer 20L		

Date	10-11-2021	Revision #	1.1
Revision	Added bowlcradle cover. Bowlguard updated to separate structure.		

Item	Description	Part#	Quantity	Remark	Picture
1	Motor housing	n/a	1		
2	Bearing cover	n/a	1		
3	Cover	n/a	2		
4	Bearing 6003	n/a	1		
5	Cover	n/a	3		
6	Screw (M6X45)	n/a	1		
7	Top cover	n/a	1		
8	Screw (M5X8)	n/a	7		
9	Cover	n/a	1		
10	Center cover	n/a	1		
11	Bearing 6201	n/a	2		
12	Screw (M6X14)	n/a	4		
13	Spring washer	n/a	4		
14	Power switch	947180	1		
15A	Rear cover (white)	961094	1	(until batch HK023921)	
15B	Rear cover (silver gray)	961100	1	(from batch HK039521)	
16	Screw (M6X35)	nss	4	Available as 961094 and 961100	
17	Vented cover	n/a	1		
18	Electrical board	n/a	1		
19	Relais	944523	2		
20	Back cover seal	n/a	1		
21A	Back cover (white)	961520	1		
21B	Back cover (silver gray)	961728	1		
22	Timer relais	944547	1		
23	Transformer	944530	1		
24	Pull relief	n/a	1		
25	Capacitor	944608	1		
26	Screw (M5X12)	n/a	1		
27	Housing pillar	n/a	1		
28	Bracket	n/a	1		
29	Screw (M4X8)	n/a	2		
30	Screw (M6X16)	n/a	6		
31	Bowl cradle bracket	n/a	1		
32	Bowl cradle	959596	1		
33	Microswitch (bowl placement)	959602	1		
34	Domed nut (M8)	n/a	2		
35	Nut (M8)	n/a	2		
36	Screw	n/a	2		
37	Handle	n/a	2		
38	Spring	n/a	2		
39	Screw (M8X6)	n/a	2		
40	Bracket	n/a	1		
41	Bowl cradle clamp	n/a	2		
42	Screw (M8X25)	n/a	4		
43	Microswitch bracket	n/a	1		
44	Microswitch (bowl guard)	944516	2		
45	Hi-limiter	959503	1		
*	Bowlcradle cover	n/a	1	Not shown on drawing	

n/a -> not available

nss -> not sold separately

Drawing



Tools for Chefs

Hendi B.V.
Steenoven 21
3911 TX Rhenen
The Netherlands

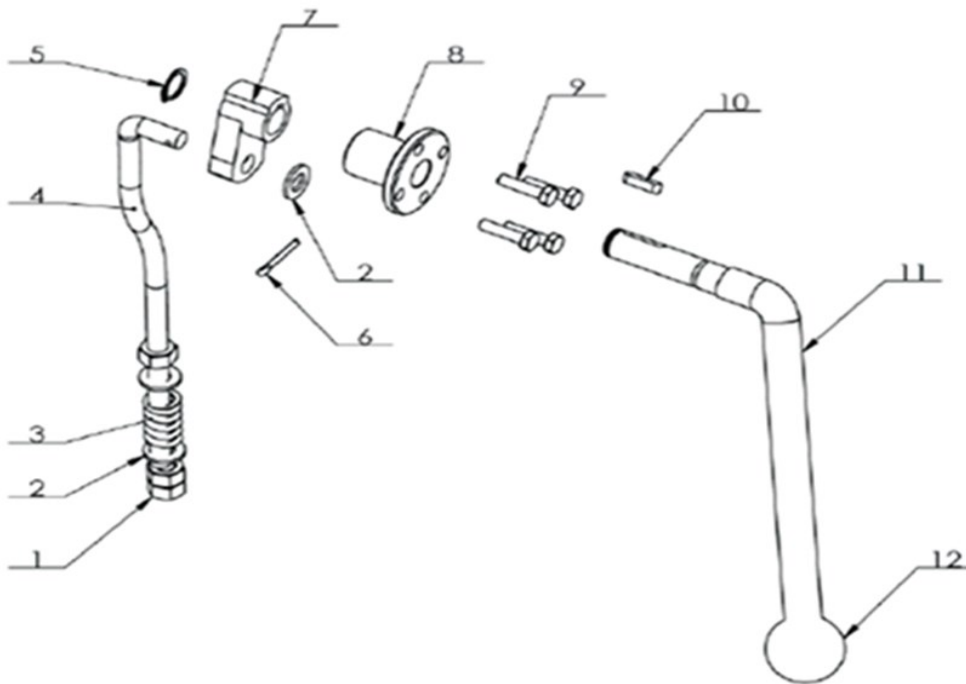
Batch #
HK103220 and
up

Appliance part#
222843


Description
Heavy duty mixer 20L

Date	10-11-2021	Revision #	1.1
Revision	Added bowlcradle cover. Bowlguard updated to separate structure.		

Hand grip type bowl lifter unit



Bill of materials (BOM)

 <b style="font-size: 24px; margin-left: 10px;">HENDI <small style="color: green; margin-left: 10px;">Tools for Chefs</small> Hendi B.V. Steenoven 21 3911 TX Rhenen The Netherlands	Batch #	Appliance part#
	HK103220 and up	222843
	Description	
Heavy duty mixer 20L		

Date	10-11-2021	Revision #	1.1
Revision	Added bowlcradle cover. Bowlguard updated to separate structure.		

Item	Description	Part#	Quantity	Remark	Picture
1	Nut (M10)	n/a	3		
2	Washer	n/a	3		
3	Spring	n/a	1		
4	Lift bar	n/a	1		
5	Circlip Ø16	n/a	1		
6	Cotter pin	n/a	1		
7	Crank wheel	n/a	1		
8	Handle connector	n/a	1		
9	Screw (M6X25)	n/a	4		
10	Key (5X20)	n/a	1		
11	Handle	n/a	1		
12	Plastic ball	n/a	1		

n/a -> not available

nss -> not sold separately

Drawing



Tools for Chefs

Hendi B.V.
Steenoven 21
3911 TX Rhenen
The Netherlands

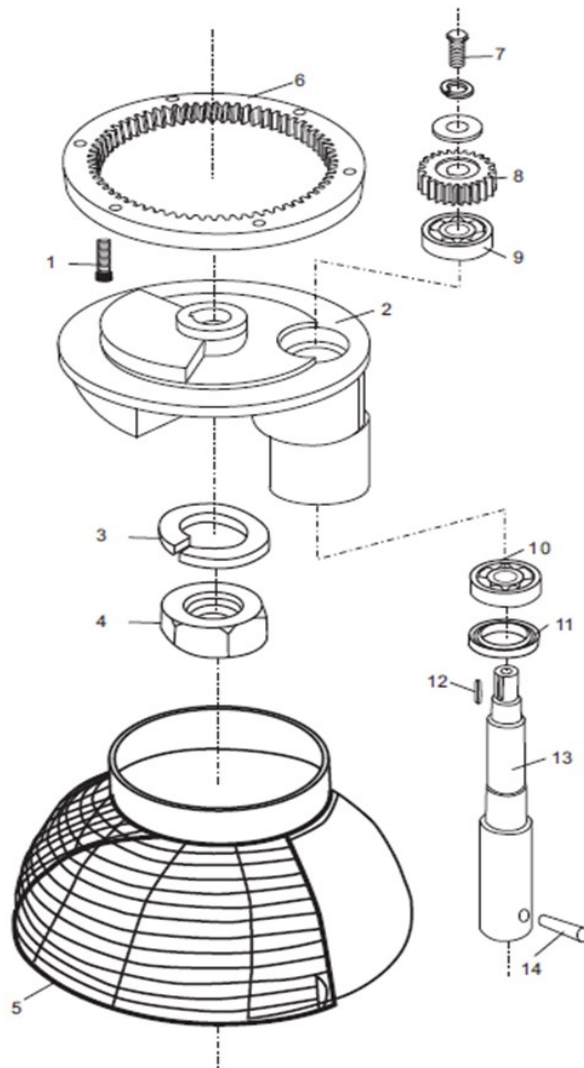
Batch #
HK103220 and
up

Appliance part#
222843


Description
Heavy duty mixer 20L

Date	10-11-2021	Revision #	1.1
Revision	Added bowlcradle cover. Bowlguard updated to separate structure.		

Turning plate and mixing axle



Bill of materials (BOM)

 <b style="font-size: 24px; margin-left: 10px;">HENDI Tools for Chefs Hendi B.V. Steenoven 21 3911 TX Rhenen The Netherlands	Batch #	Appliance part#
	HK103220 and up	222843
	Description	
Heavy duty mixer 20L		

Date	10-11-2021	Revision #	1.1
Revision	Added bowlcradle cover. Bowlguard updated to separate structure.		

Item	Description	Part#	Quantity	Remark	Picture
1	Screw (M6X25)	n/a	6		
2	Turning plate	nss	1		
A	Turning plate complete	959619	1	Incl. item 2, 7,8,9,10,11,12,13 and 14	
3	Washer	n/a	1		
4	Nut (M18)	n/a	1		
5	Bowl guard complete	955994	1		
6	Inner gear	956014	1		
7	Screw (M8X15)	nss	1		
8	Gear	nss	1		
9	Bearing (6203)	nss	1		
10	Bearing (6204)	nss	1		
11	Oil seal (25X50X10)	nss	1		
12	Key (5X18)	nss	1		
13	Drive axle	944615	1	Also available as **02**	
14	pin	nss	1		

n/a -> not available
nss -> not sold separately

Drawing



Tools for Chefs

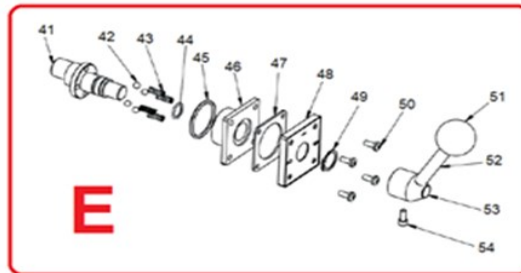
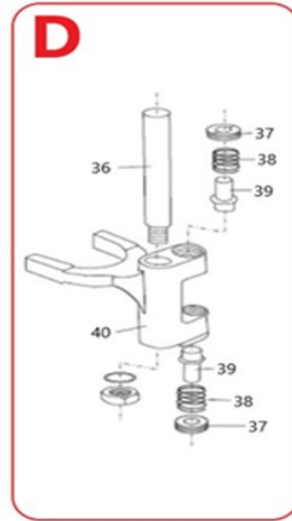
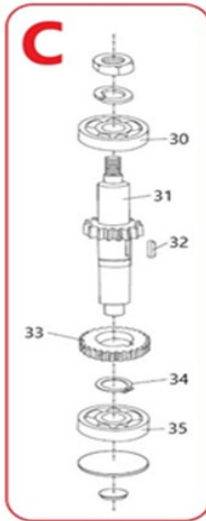
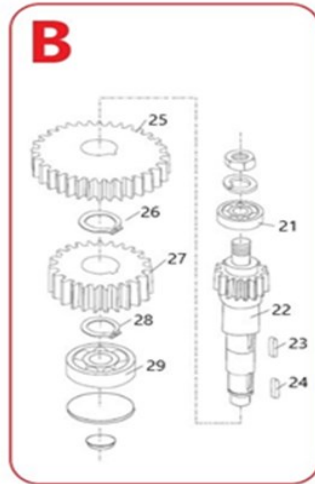
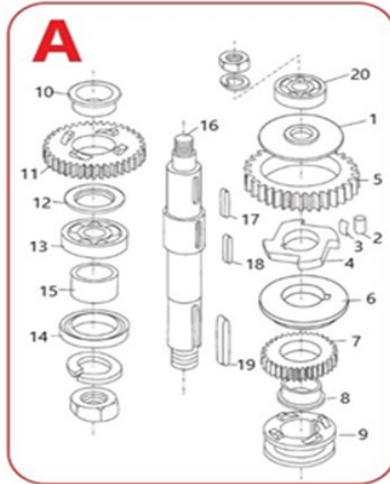
Hendi B.V.
 Steenoven 21
 3911 TX Rhenen
 The Netherlands

Batch #
 HK1032204 and
 up


Appliance part#
222843

Description
 Heavy duty mixer 20L

Date	10-11-2021	Revision #	1.1
Revision	Added bowlcradle cover. Bowlguard updated to separate structure.		



Bill of materials (BOM)

 <p>Hendi B.V. Steenoven 21 3911 TX Rhenen The Netherlands</p> <p style="font-size: small; color: green;">Tools for Chefs</p>	Batch #	Appliance part#
	HK103220 and up	222843
	Description	
Heavy duty mixer 20L		

Date	10-11-2021	Revision #	1.1
Revision	Added bowlcradle cover. Bowlguard updated to separate structure.		

Item	Description	Part#	Quantity	Remark	Picture
1	Cover	nss	1		
2	Roller	nss	4		
3	Spring	nss	8		
4	Actuator	nss	1		
5	Gear ring	nss	1		
6	Divider ring	nss	1		
7	Upper gear	nss	1		
8	Bearing ring	nss	1		
9	Clutch ring	nss	1		
10	Bearing ring	nss	1		
11	Lower gear	nss	1		
12	Ring	nss	1		
13	Bearing (6205)	nss	1		
14	Oil seal (30X45X10)	nss	1		
15	Stand-off	nss	1		
16	Central axle	nss	1		
17	Key (6X14)	nss	1		
18	Key (5X35)	nss	2		
19	Key (6X30)	nss	1		
20	Bearing (6003)	nss	1		
21	Bearing (6201)	nss	1		
22	Geared axle	nss	1		
23	Key (5X11)	nss	1		
24	Key (5X11)	nss	1		
25	Upper gear	nss	1		
26	Circlip	nss	1		
27	Lower gear	nss	1		
28	Circlip	nss	1		
29	Bearing (6201)	nss	1		
30	Bearing (6201)	nss	1		
31	Geared axle	nss	1		
32	Key (5X14)	nss	1		
33	Gear	nss	1		
34	Circlip	nss	1		
35	Bearing (6201)	nss	1		
36	Clutch fork axle	n/a	1		
37	Screw	nss	2		
38	Spring	nss	2		
39	Pin	nss	2		
40	Clutch fork	nss	1		
41	Speed axle	nss	1		
42	Steel ball	nss	1		
43	Spring	nss	4		
44	O-ring (18X2)	nss	4		
45	O-ring (42X3.1)	nss	1		
46	Speed block	nss	1		
47	Speed block seal	nss	1		
48	Speed indicator	nss	1		
49	Circlip Ø20	nss	1		
50	Screw (M5X12)	nss	4		
51	Plastic ball	nss	1		
52	Handle	nss	1		
53	Handle bracket	nss	1		
54	Screw (M6X10)	nss	1		

A	Central axle assembly	959633	1	Incl. item 1~20	
B	Dual gear axle assembly	959640	1	Incl. item 21~29	
C	Single gear axle assembly	959657	1	Incl. item 30~35	
D	Clutch fork assembly	959664	1	Incl. item 36~40	
E	Speed block assembly	959671	1	Incl. item 41~54	

n/a -> not available

nss -> not sold separately

Drawing



Tools for Chefs

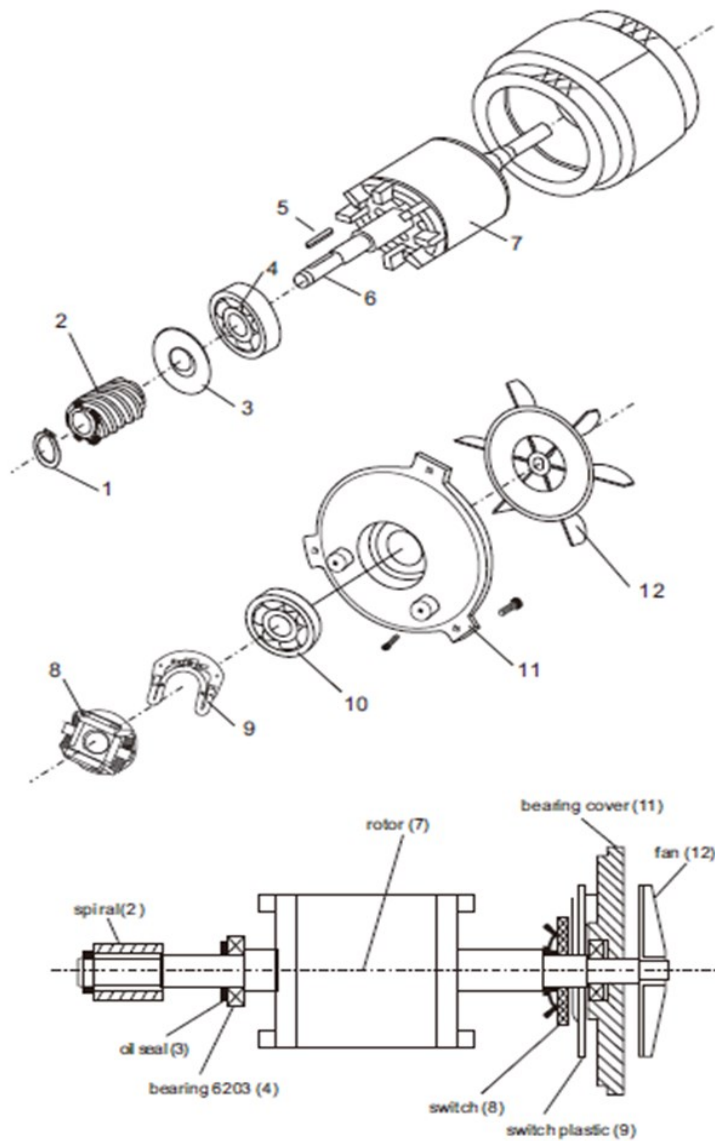
Hendi B.V.
 Steenoven 21
 3911 TX Rhenen
 The Netherlands

Batch #	Appliance part#
HK103220 and up	222843


Description
Heavy duty mixer 20L

Date	10-11-2021	Revision #	1.1
Revision	Added bowlcradle cover. Bowlguard updated to separate structure.		

Motor unit



Bill of materials (BOM)

 <b style="font-size: 24px; margin-left: 10px;">HENDI Tools for Chefs Hendi B.V. Steenoven 21 3911 TX Rhenen The Netherlands	Batch #	Appliance part#
	HK103220 and up	222843
	Description	
Heavy duty mixer 20L		

Date	10-11-2021	Revision #	1.1
Revision	Added bowlcradle cover. Bowlguard updated to separate structure.		

Item	Description	Part#	Quantity	Remark	Picture
1	Circlip	nss	1		
2	Worm wheel	nss	1		
3	Oil seal	nss	1		
4	Bearing (6203)	nss	1		
5	Key(4X22)	nss	1		
6	Axle	nss	1		
7	Rotor	nss	1		
8	Switch	nss	1		
9	Switch bracket	nss	1		
10	Bearing (6203)	nss	1		
11	Bearing cover	nss	1		
12	Fan blade	nss	1		
A	Motor assembly	959688	1	Incl. item 1~12	

n/a -> not available

nss -> not sold separately

Drawing



Tools for Chefs

Hendi B.V.

Steenoven 21
3911 TX Rhenen
The Netherlands

Batch #

HK103220 and
up

Appliance part#

222843

Description

Heavy duty mixer 20L

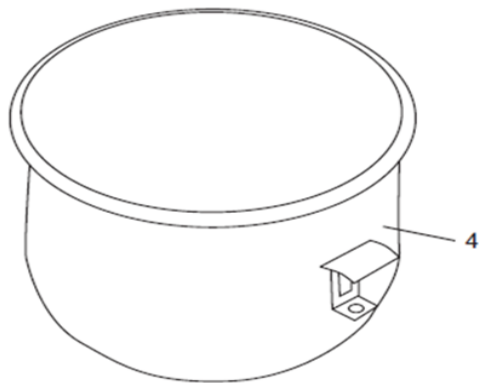
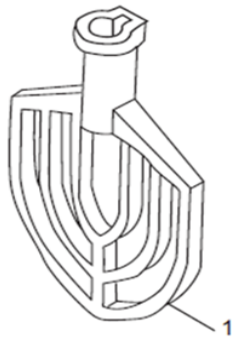
Date 10-11-2021

Revision #


1.1

Revision

Added bowlcradle cover.
Bowlguard updated to separate structure.



Bill of materials (BOM)

 HENDI <small>Tools for Chefs</small> Hendi B.V. Steenoven 21 3911 TX Rhenen The Netherlands	Batch #	Appliance part#
	HK103220 and up	222843
	Description	
Heavy duty mixer 20L		


Date	10-11-2021	Revision #	1.1
Revision	Added bowlcradle cover. Bowlguard updated to separate structure.		

Item	Description	Part#	Quantity	Remark	Picture
1	Beater	944622	1		
2	Dough hook	944639	1		
3	Whisk	944646	1		
4	Stainless steel bowl	944653	1		

n/a -> not available

nss -> not sold separately

Circuit diagram

 <b style="font-size: 2em; margin-left: 10px;">HENDI Tools for Chefs Hendi B.V. Steenoven 21 3911 TX Rhenen The Netherlands	Batch #	Appliance part#
	HK103220 and up	222843
	Description	
Heavy duty mixer 20L		

Date	10-11-2021	Revision #	1.1
Revision	Added bowlcradle cover. Bowlguard updated to separate structure.		

