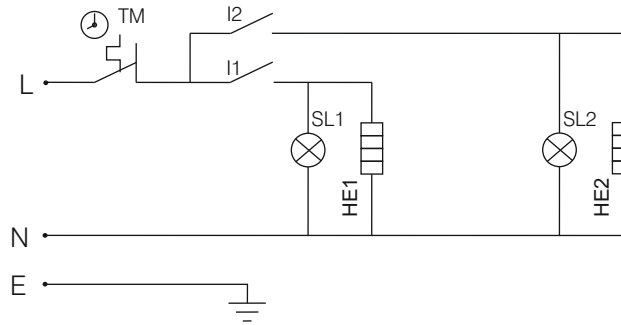


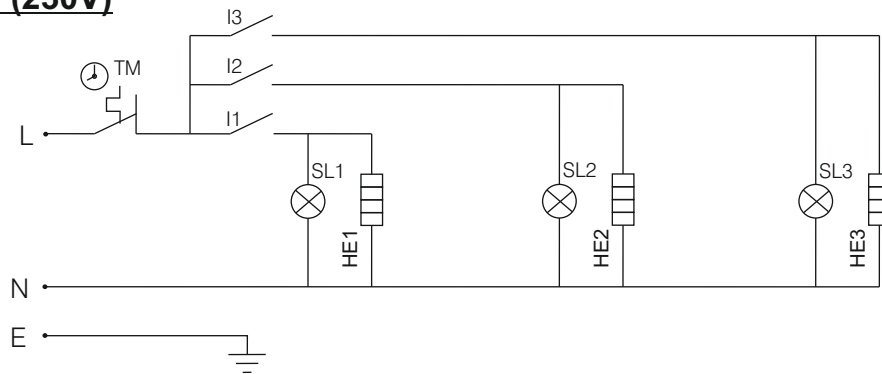


# Electrical wiring diagram

## WR-TSE1-S (230V)



## WR-TSE2-D (230V)



**TM** - Timer

**I/SL** - Switches with light

**HE** - Heating Elements